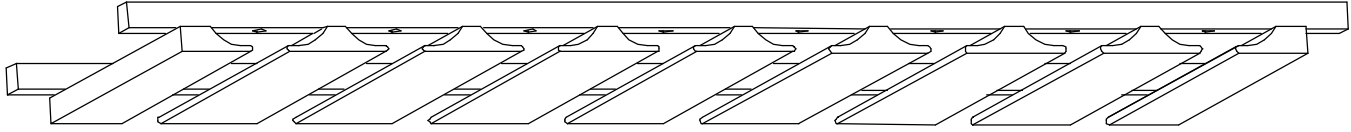


# OMEGA INDUSTRIES, INC.

## ADJUSTABLE STEMWARE RACK

### INSTALLATION INSTRUCTIONS

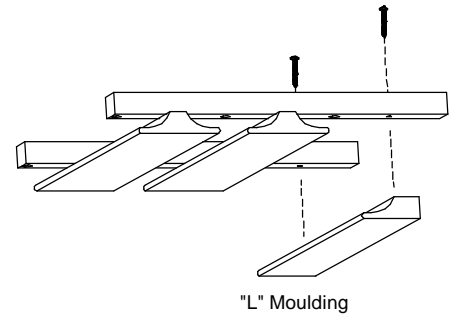
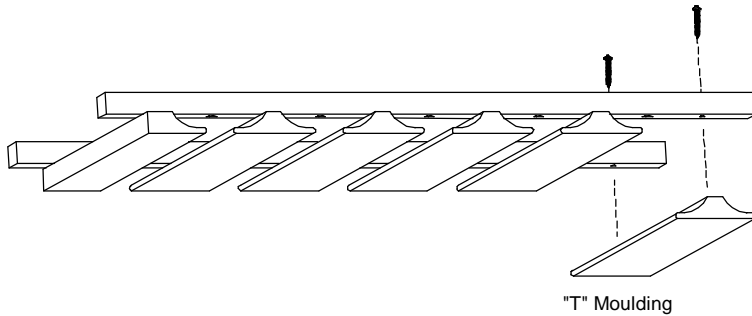


#### **IMPORTANT NOTES**

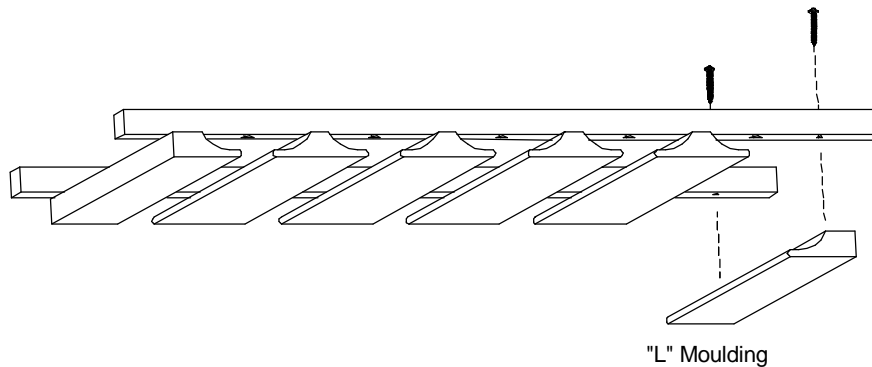
- Always read instructions completely and carefully before beginning assembly or installation.
- Remove and check contents for concealed damage or missing parts. Keep original carton and packing material, which are required for any authorized adjustment by your dealer.

**Omega Industries, Inc.** Adjustable Stemware Rack can be cut to fit under any size wall cabinet.

**Step #1-**Measure and cut the Adjustable Stemware Rack to length if necessary. If no cutting is necessary proceed on to Step #4.



**Step #2-**Remove the “L” moulding from the cut-off piece, and remove the “T” moulding from the cut-off end of the Adjustable Stemware Rack.



**Step #3-**Replace the “L” moulding on to the now trimmed Stemware Rack.

**Step #4-**Install the Stemware Rack under the cabinet with the #8 X 1” Pan head screws provided.