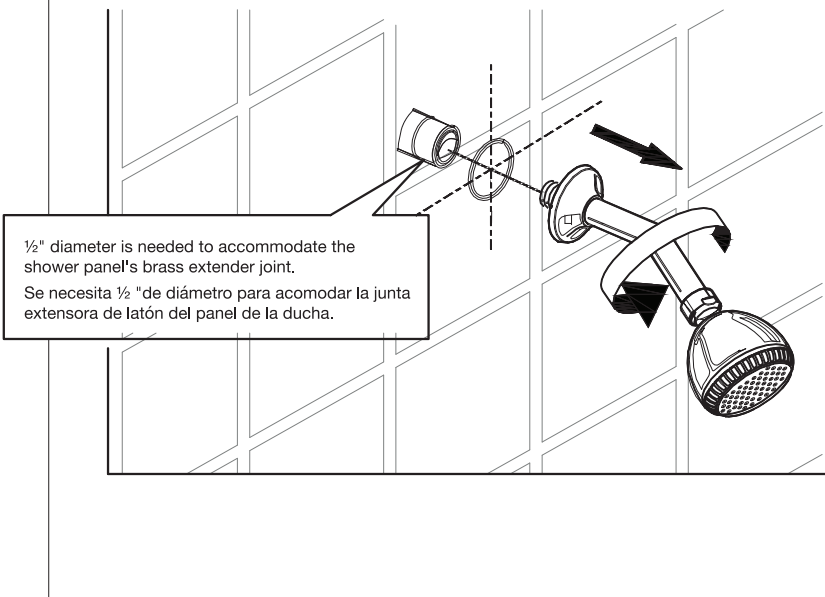


MODEL NUMBER / NÚMERO DE MODELO / NUMÉRO DE MODÈLE

VG08016

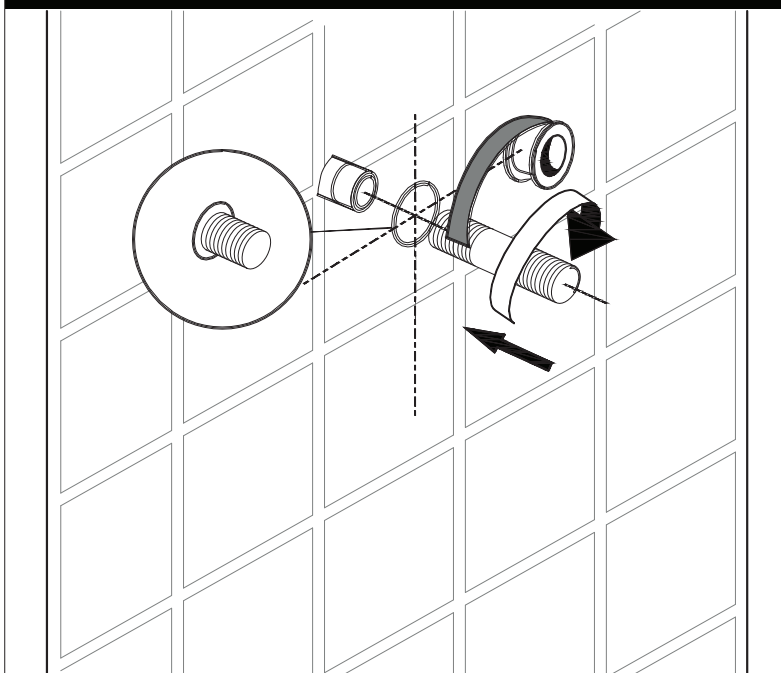
1. INSTALLATION / INSTALACIÓN / INSTALLATION

STEP 1.5 / PASO 1.5 / ÉTAPE 1.5



- In the back of the panel on the threaded part of the head shower arm, place rubber ring then brass nut. Next place washer inside brass elbow and connect to head shower arm.
- En la parte posterior del panel, en la parte roscada del brazo de ducha de la cabeza, reemplace el anillo de goma y luego la tuerca de bronce. Luego coloque la arandela dentro del codo de latón y conéctela al brazo de la ducha.
- Placez l'anneau de caoutchouc et ensuite l'écrou en cuivre à l'arrière du panneau dans la partie filetée du bras de la pomme de douche. Ensuite, placez la rondelle à l'intérieur du coude en cuivre et le branchez au bras de la pomme de douche.

STEP 1.6 / PASO 1.6 / ÉTAPE 1.6



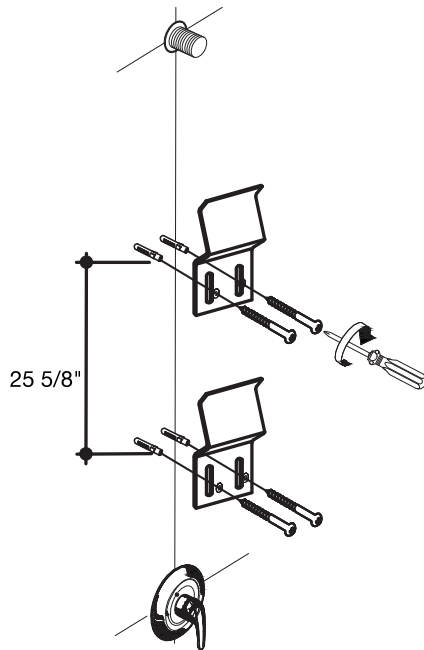
- Connect either 1 7/8" or 2 5/8" connector to the existing head pipe outlet. Use plumbing tape to secure the connection and prevent leaks.
- Conecte el conector de 1 7/8" o 2 5/8" a la salida del tubo principal existente. Use cinta de plomería para asegurar la conexión y evitar fugas.
- Branchez un connecteur de 7/8 po ou deux connecteurs de 5/8 po à la sortie de la tête du tuyau en place. Utilisez du ruban de plombier pour renforcer le tout et empêcher les fuites.

MODEL NUMBER / NÚMERO DE MODELO / NUMÉRO DE MODÈLE

VG08016

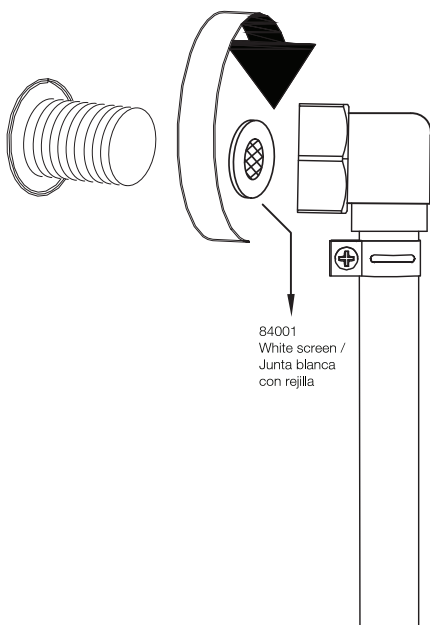
1. INSTALLATION / INSTALACIÓN / INSTALLATION

STEP 1.7 / PASO 1.7 / ÉTAPE 1.7



- Install the wall mount brackets 25 5/8" apart from each other.
- Instale los soportes de montaje en pared a 25 5/8" de distancia entre sí.
- Installez les supports pour le mur à une distance de 25 5/8 po entre eux.

STEP 1.8 / PASO 1.8 / ÉTAPE 1.8



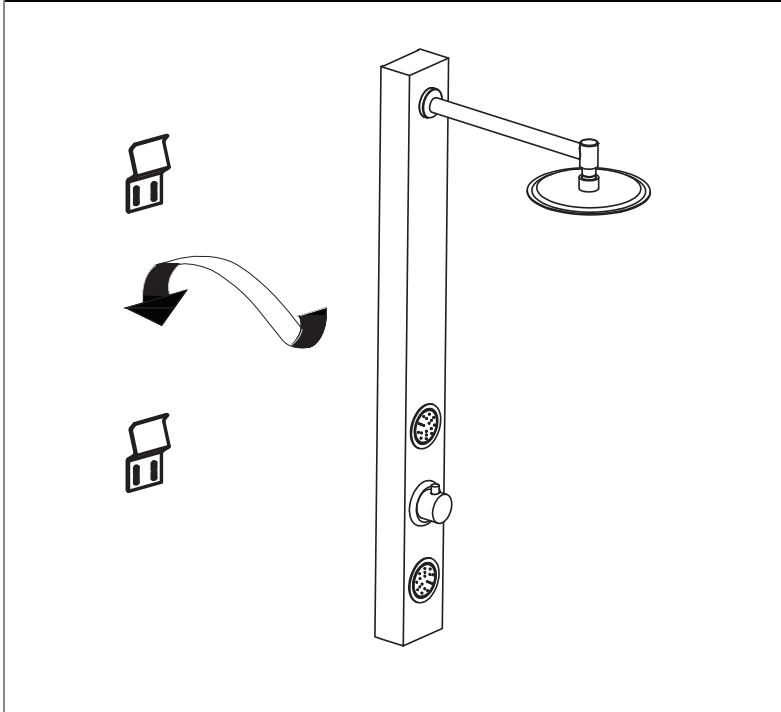
- Connect the main line to connector.
- Conecte la línea principal al conector.
- Branchez le conduit principal au connecteur.

MODEL NUMBER / NÚMERO DE MODELO / NUMÉRO DE MODÈLE

VG08016

1. INSTALLATION / INSTALACIÓN / INSTALLATION

STEP 1.9 / PASO 1.9 / ÉTAPE 1.9



- Hang the shower panel on the mounting brackets.
- Cuelgue el panel de la ducha en los soportes de montaje.
- Accrochez le panneau de douche aux supports muraux.

MODEL NUMBER / NÚMERO DE MODELO / NUMÉRO DE MODÈLE

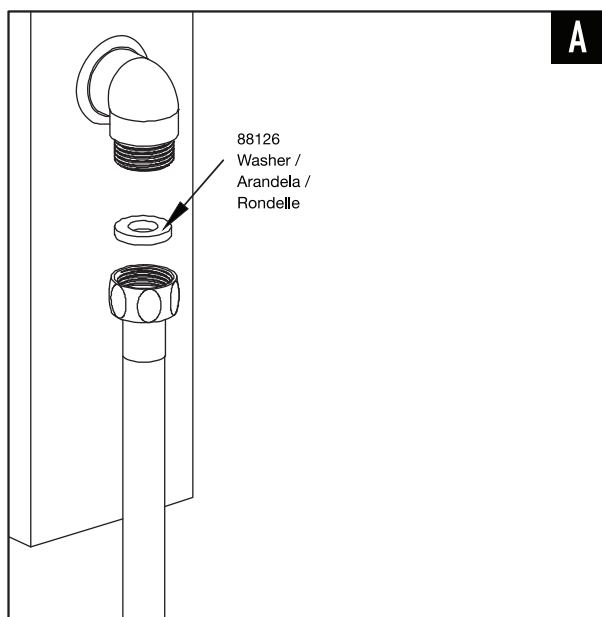
VG08016

3. HAND SHOWER INSTALLATION / INSTALACIÓN DE LA DUCHA DE MANO

A. Connect hand shower hose to shower panel.
Make sure washer is in place.

Conecte la manguera de la ducha de mano al panel de ducha.
Asegúrese de que la junta esté en su lugar.

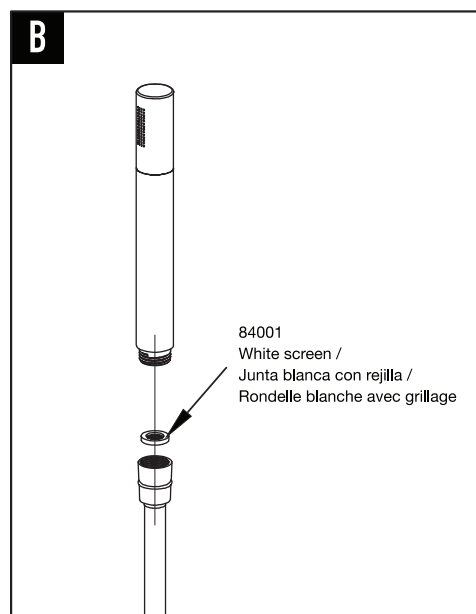
Branchez le tuyau de la douche à main au panneau de douche.
Assurez-vous que la rondelle soit bien en place.



B. Connect other side of hand shower hose to hand shower.
Make sure washer is in place.

Conecte el otro extremo de la manguera de la ducha de mano a la ducha de mano.
Asegúrese de que la junta esté en su lugar.

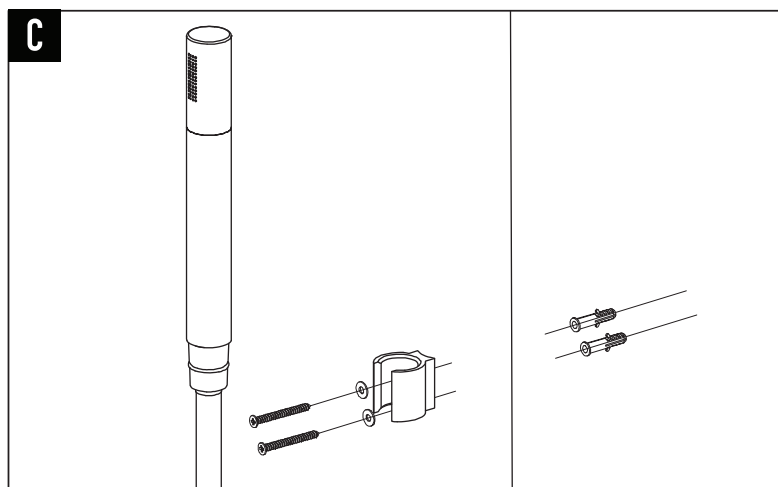
Branchez le tuyau de la douche à main à l'autre côté de cette dernière.
Assurez-vous que la rondelle soit bien en place.



C. Install hand shower bracket to wall in desired location.

Instale el soporte de la ducha de mano en la pared en la ubicación deseada.

Installez le support de la douche à main au mur à l'endroit désiré.



Modern faucets and showers consist of very different materials to comply with the needs of the market with regard to design and functionality. To avoid damage and reclamations, it is necessary to consider certain criteria when cleaning. Be sure to avoid using abrasive materials while cleaning VIGO products.

REGISTER YOUR PRODUCT

IN ORDER TO ACTIVATE YOUR WARRANTY
YOU MUST REGISTER YOUR PRODUCT



ACTIVATE NOW

CLEANING INSTRUCTIONS FOR FAUCETS AND SHOWERS

Please follow the instructions on your cleaning materials. In addition, pay attention to the following points:

- Clean the faucets and showers as needed and when required.
- The amount of cleaning product needed and the time the cleaner needs in order for effective cleaning to take place should be adjusted according to products; cleaning product should not be left on VIGO product longer than necessary.
- Clean regularly to prevent calcification.
- When using spray cleaner, spray first onto a cloth or sponge - never directly spray onto the sanitary tapware as drops could enter openings and gaps and cause damage.
- After cleaning, rinse thoroughly with clean water to remove any cleaner residue.
- Recommended cleaning solution for hard water and soap scum is to use 50/50 water and vinegar solution.



NEVER SPRAY
DIRECTLY
ON TAPWARE



SPRAY ONTO
SPONGE/ CLOTH



CLEAN
REGULARLY



RINSE THOROUGHLY
WITH CLEAN WATER

CLEANING MATERIAL FOR FAUCETS AND SHOWERS

Acids are necessary ingredients of cleaning materials for removing lime, however, please pay attention to the following points when cleaning faucets and showers:

- Only use cleaning materials that are explicitly provided for this type of application.
- Never use cleaning materials that contain hydrochloric, formic or acetic acid, as they cause considerable damage.
- Phosphoric acid is also restricted as it can cause damage to the finish.
- Never mix any cleaning material with another.
- Never use cleaning materials that have an abrasive effect, such powdered and industrial cleansers, scouring pads or micro fiber cloths.

~~Hydrochloric~~

~~Formic~~

~~Acetic Acid~~

~~Phosphoric~~