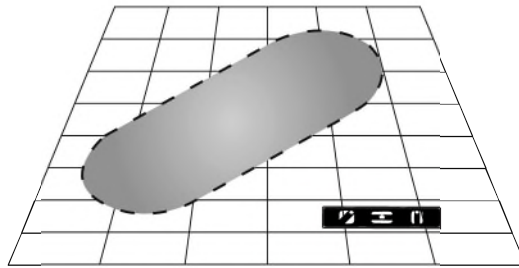
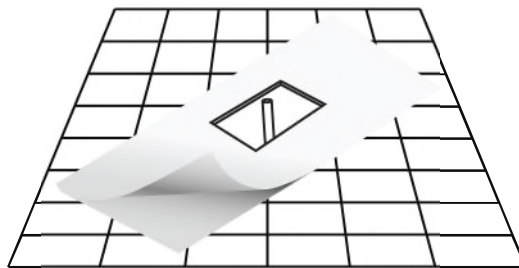


BATHTUB INSTALLATION

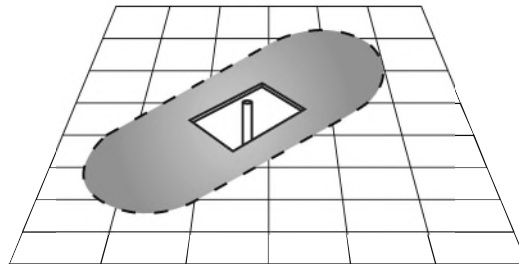
1. Ensure that the floor at the installation site has sufficient floor support and is level.



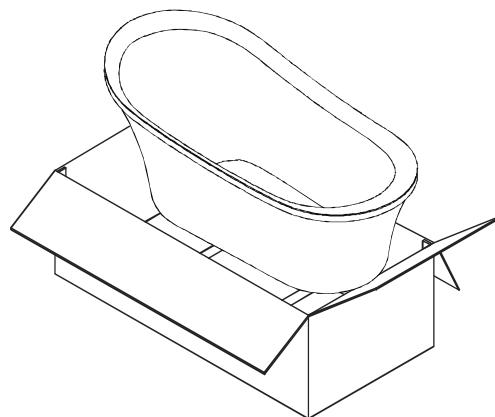
2. Waterproofing the floor is highly recommended.



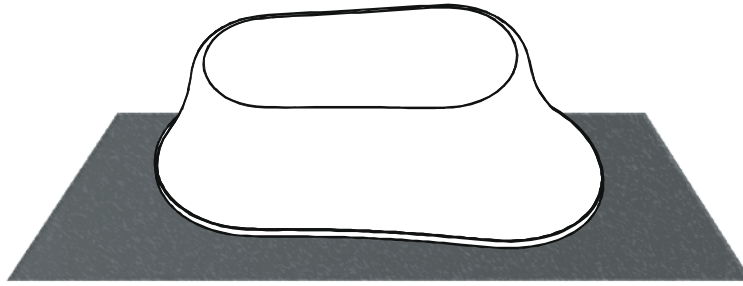
3. Determine the location of the drainpipe on the floor by taking measurements of the drain and waste location underneath the unit. Clean the drain hole area in preparation of setting the drain. The area should be dry & free from any debris.



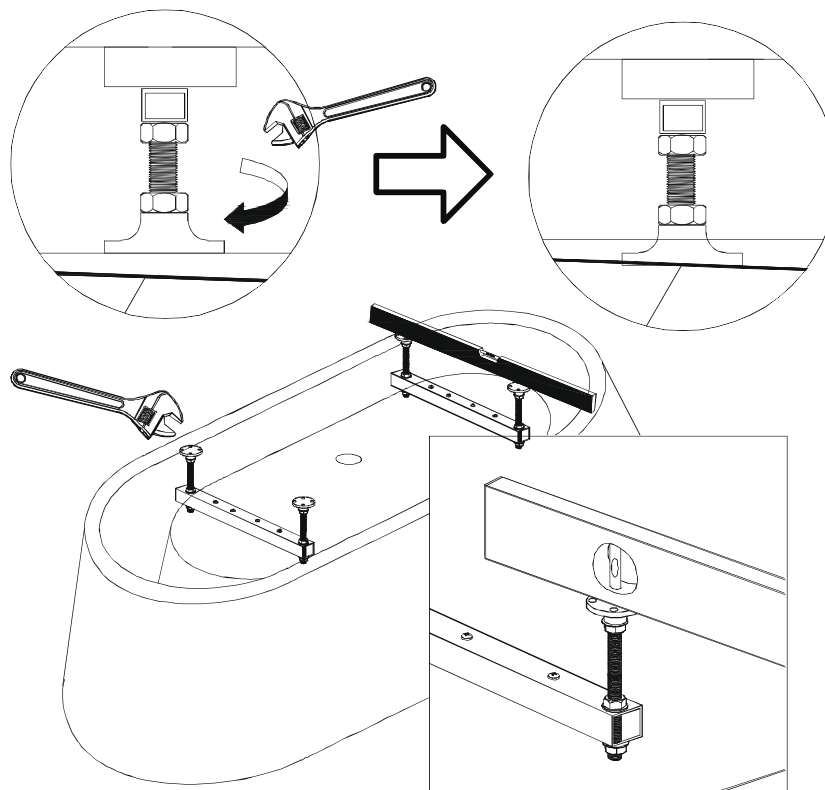
4. Remove the bathtub from its box. It is recommended that the bathtub is carried by a minimum of two people. Ensure to carry and set down the bathtub only in the upside-down position.



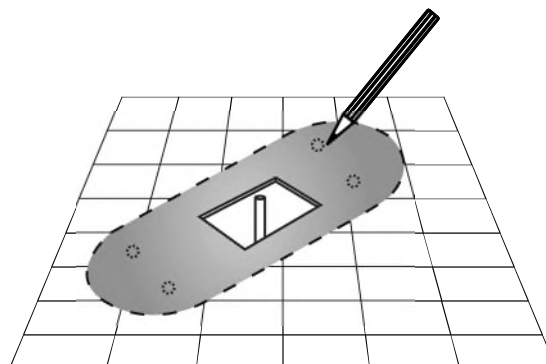
5. Gently place the bathtub in the upside-down position on a tarp or cardboard sheet in order to avoid contact with any rough surface.



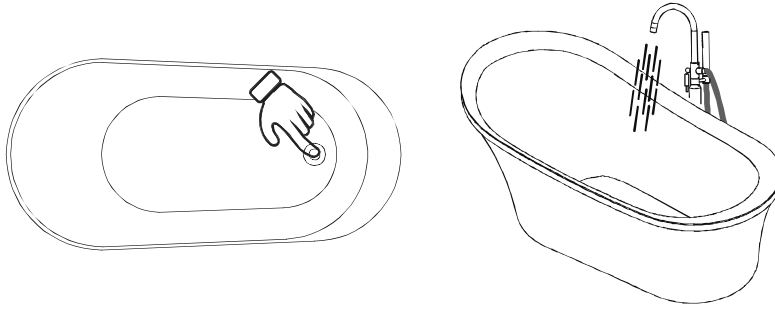
6. Loosen the nuts & washers from the metal frame. Adjust the leveling feet to align with the bathtub's bottom as well as the floor and then tighten the washer and nuts.



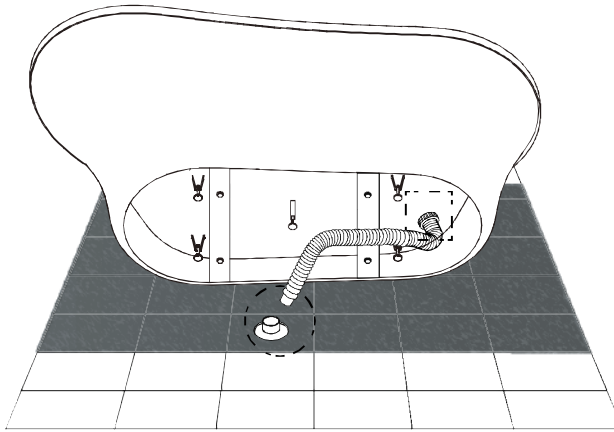
7. Ensure to mark all positions of leveling legs on the floor using a pencil. Move the bathtub into the desired location near the drainpipe.



8. Before proceeding with installation, push the pop up into a close position and fill the bathtub above the overflow [Note: some models may not have an overflow] to test for overflow and drain leakage.

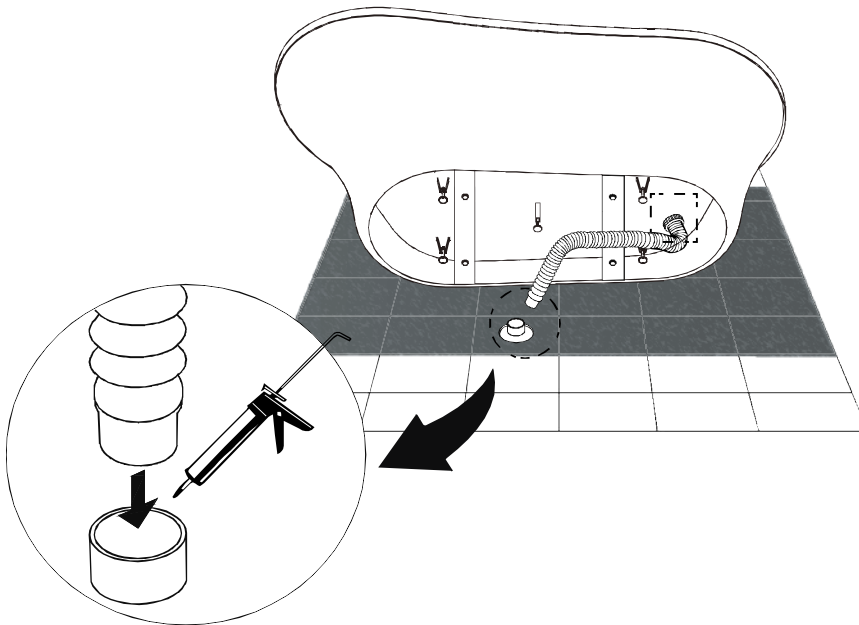


9. Proceed to place the provided flexible drain hose into the floor drain.

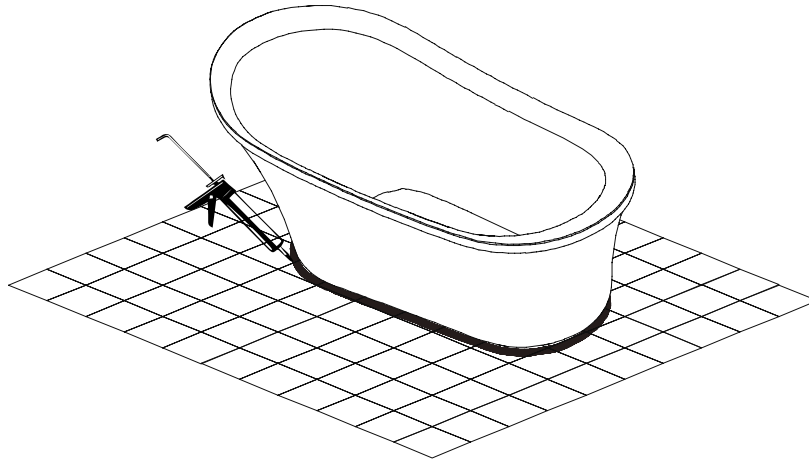


10. Please note, the flexible hose is a basic way that we provide to connect to the end plumbing in a home. The plumbing installation in every home differs, so please consult with a certified plumber to see if the plumbing in your home is compatible with using a basic flexible hose.

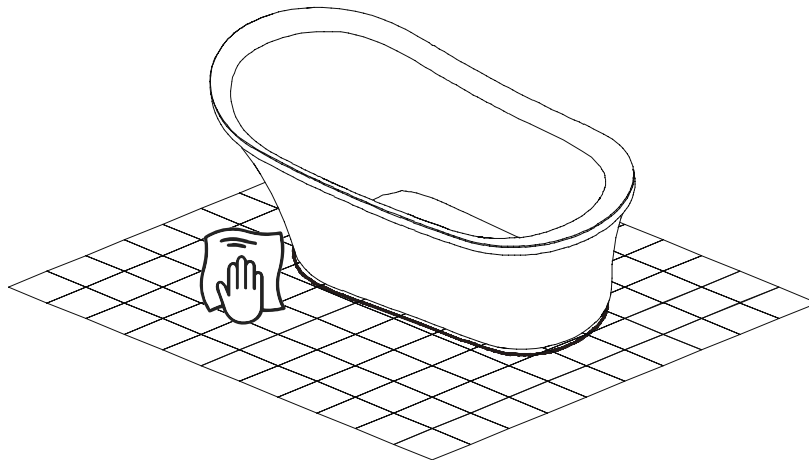
11. Seal the connection by using a PVC pipe sealant to join the parts together.



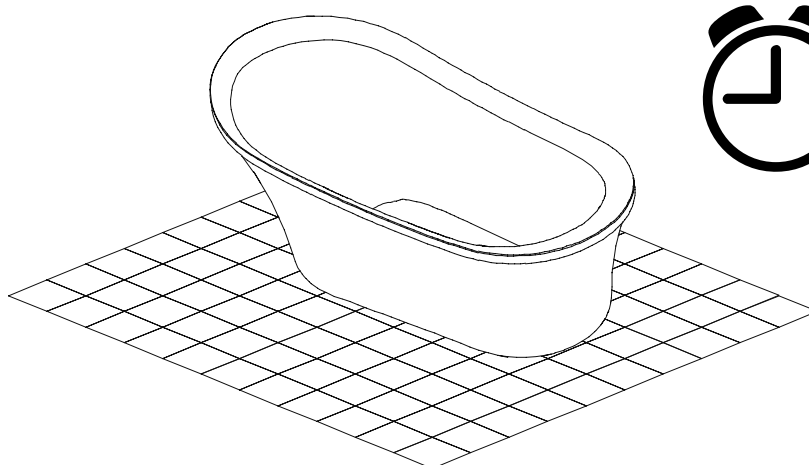
12. Apply silicone along the bottom of the bathtub In order to create an airtight seal. Then apply a bead of tub & tile caulk around the edges of the base.



13. With the bathtub now in place, wipe off any excess silicone, tub & tile caulk where the bathtub meets the floor.



14. Allow for up to 24 hours for the adhesive material to set.



24h

INTERNAL DRAIN INSTALLATION DIAGRAM

Please Note: The drain may have already been installed by the manufacturer prior to shipment. These drawings are to only show how the drain connects to the bathtub.

