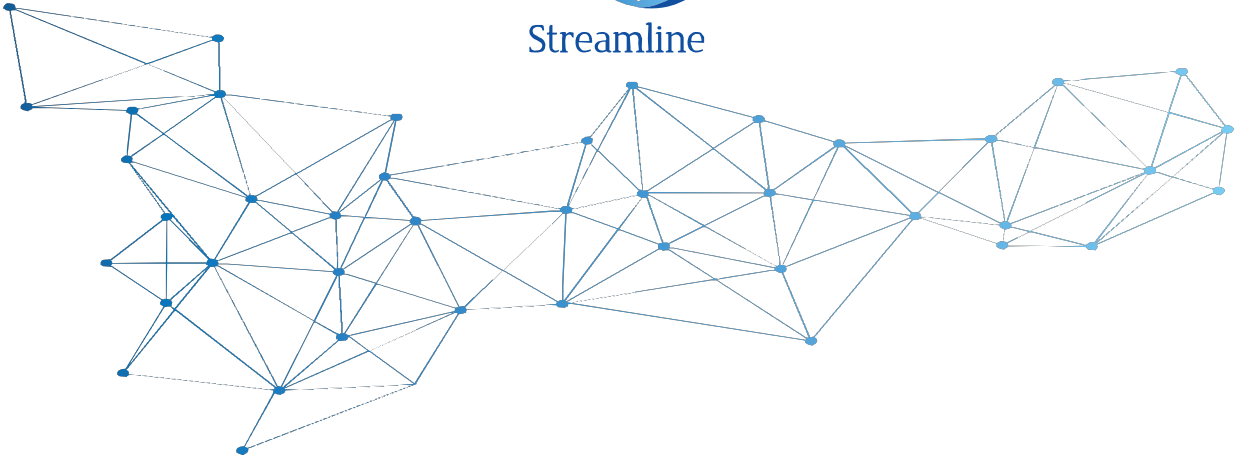


# FREESTANDING BATHTUB SERIES



## OWNER'S MANUAL & INSTALLATION GUIDE



READ ENTIRE INSTALLATION GUIDE  
PRIOR TO INSTALLING THE BATHTUB  
THIS BATHTUB SHOULD ONLY BE  
INSTALLED BY A CERTIFIED PLUMBER

**CAUTION!**



TWO PEOPLE ARE REQUIRED  
TO LIFT THE BATHTUB

**QUESTIONS ON PRODUCT, INSTALLATION, RETURNS? PLEASE CONTACT**

**∴kitchensource.com**  
1.800.667.8721

## PRIOR TO INSTALLING

These products must be installed by a fully insured and licensed plumber only.

Installation of any product by anyone other than fully insured and licensed plumber shall void limited warranty.

We are not responsible for any local code compliance for this product.

Building and plumbing codes may vary state-to-state.

Streamline shall not be held liable for any and all incidental damages or flood caused due to use of this product.

Streamline shall not be held liable for any and all fees stemming from cost of installation, re-installation, removal, subsequent damage, or transportation in a case of a product defect.

## TOOLS REQUIRED



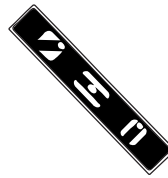
Silicone



Pencil



Adjustable Key



Level Bar



Measuring Tape

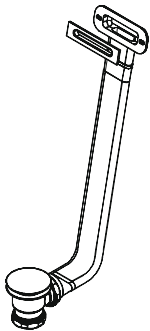


Safety Glasses

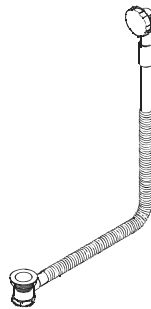
## WHAT'S IN THE BOX

Please note:

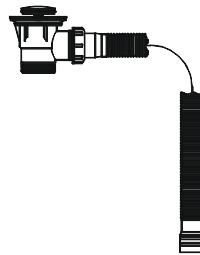
Different bathtub models have different drain models. Please see the next page to determine which drain model applies to the bathtub model that you have purchased.



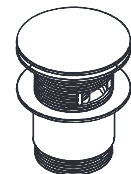
(Pre-installed)  
Model A1040-F+ (A604)



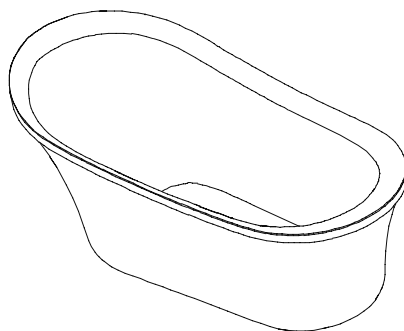
(Pre-installed)  
Model A1040-C



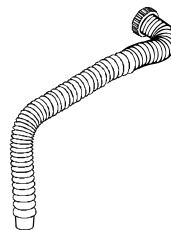
(Pre-installed)  
Model A1840-O



N1606



Bathtub



Flexible Hose\*

\*All models except N1606 come with a flexible hose.

# DRAIN MODEL COMPATIBILITY

## FREESTANDING BATHTUB



N-140-60FSWH-FM	N-260-66FSWH-FM N-261-62X30FSWH-FM N-262-58FSWH-FM	N-300-59FSWH-FM	N-320-60FSWH-FM N-321-70FSWH-FM	N-380-63FSWH-FM N-381-67FSWH-FM	N-420-63FSWH-FM N-421-67FSWH-FM
N-540-62FSWH-FM N-541-67FSWH-FM N-542-70FSWH-FM	N-560-59FSWH-FM N-561-67FSWH-FM N-562-71FSWH-FM	N-580-62FSWH-FM N-581-66FSWH-FM	N-620-63FSWH-FM N-621-59FSWH-FM N-622-67FSWH-FM	N-660-59FSWH-FM N-661-67FSWH-FM	N-681-67FSWH-FM
N-682-63FSWH-FM	N-700-67FSWH-FM N-701-67FSWH-FM	N-780-59FSWH-FM	N-801-59FSBL-FM N-802-67FSBL-FM	N-880-59FSWH-FM N-881-63FSPRWH-FM N-882-67FSBL-FM	N-940-75FSWH-FM N-1000-71FSWH-FM
N-1201-59FSWH-FM	N-1220-67FSWH-FM N-1221-59FSWH-FM	N-1241-59FSWH-FM	N-1261-59FSWH-FM	N-1301-59FSWH-FM	N-1321-59FSWH-FM N-1340-67FSWH-FM
N-662-59FSBLU-FM N-663-67FSBL-FM N-664-59PRWH-FM	N-1780-59FSWH-FM N-1781-63FSWH-FM	N-2000-59FSWH-FM N-2001-63FSWH-FM	N-2020-63FSWH-FM	N-2180-62FSWH-FM	



N-721-67FSWH-FM	N-280-59FSWH-FM N-281-67FSWH-FM	N-1160-59FSWH-FM N-1161-59FSBL-FM	N-1520-61FSWH-FM N-1521-65FSWH-FM N-1522-69FSWH-FM	N-1060-59FSWH-FM	N-1680-67FSWH-FM
N-1800-67FSWH-FM	N-2040-51FSWH-FM	N-2060-59FSWH-FM	N-2120-59FSWH-FM		

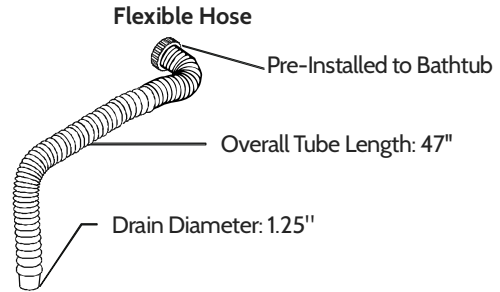
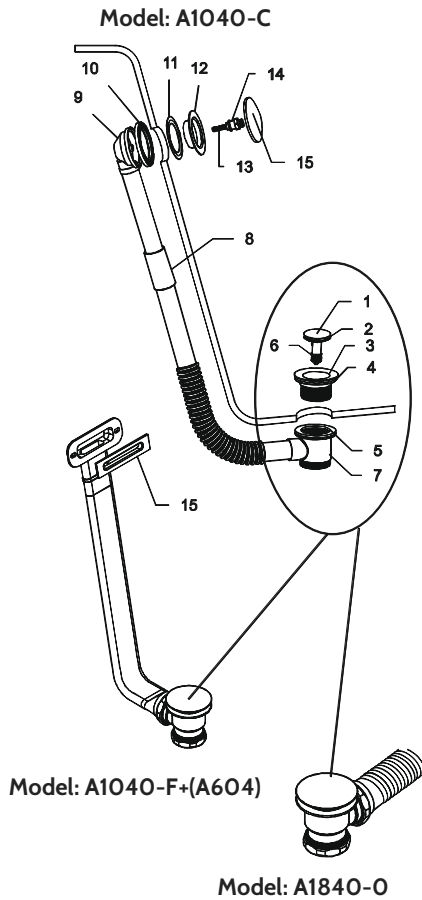


N-460-63FSWH-FM	N-820-59FSWH-FM N-821-63FSWH-FM N-822-67FSWH-FM N-1760-55FSWH-FM
-----------------	---



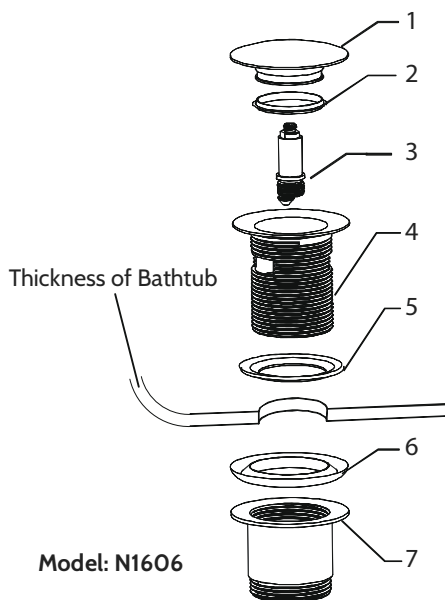
N-1560-59FSWH-FM	N-1580-59FSWH-FM	N-1600-59FSWH-FM	N-1620-59FSWH-FM	N-1640-59FSWH-FM	N-1660-59FSWH-FM
N-1700-59FSWH-FM N-1701-67FSWH-FM	N-1720-59FSWH-FM N-1721-67FSWH-FM	N-1740-59FSWH-FM	N-1760-55FSWH-FM N-1761-59FSWH-FM N-1762-63FSWH-FM	N-2002-67FSWH-FM	N-2080-59FSWH-FM

# DRAIN DIAGRAMS



Model: A1040-C

No.	ITEM	Qty.
1	Pop-Up Cover	1
2	O Ring	1
3	Strainer	1
4	Rubber Gasket	1
5	Flat Rubber Gasket	1
6	Cartridge	1
7	Tee	1
8	Coupling Pipe	1
9	Overflow Body	1
10	Backside Gasket	1
11	Upper Gasket	1
12	Strainer	1
13	Pin	1
14	Pin Bolt	1
15	Overflow Plate	1



Model: N1606\*

No.	ITEM	Qty.
1	Pop-Up Cover	1
2	O Ring	1
3	Cartridge	1
4	Strainer	1
5	Rubber Gasket	1
6	Flat Rubber Gasket	1
7	Tee	1

\* Please note, bathtub models with this drain assembly do NOT come with a flexible hose.