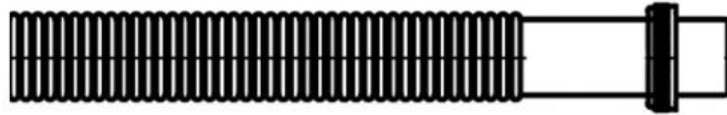


# DRAIN D1040C-XX

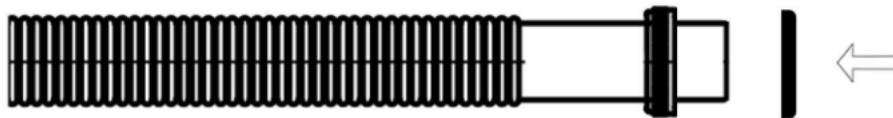
## HOW TO INSTALL THE DRAIN:

---

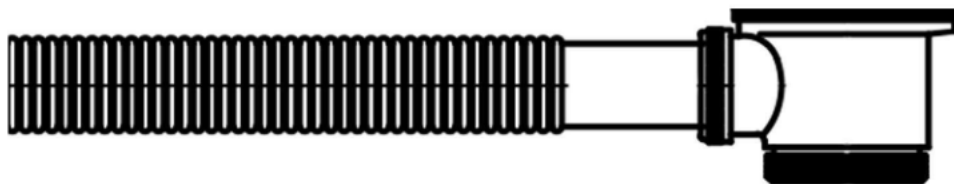
7. Take the cap that you unscrewed and run it through the overflow hose.



8. Take the rubber gasket that you had previously set aside and run it through to the tip of the overflow hose on the overflow drain. The gasket should be placed on the immediate interior of the overflow hose to ensure that a watertight connection exists. Make sure that the gasket is put on inwards like so:



9. Attach the hose to the drain tee that was connected to the strainer in step 6. Tighten firmly. Check for any leakage prior to finalizing installation as there may be tightening that is required or the gasket was not attached correctly. This is a very critical step that cannot be skipped.



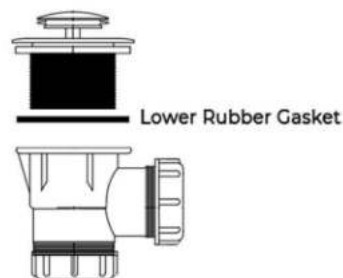
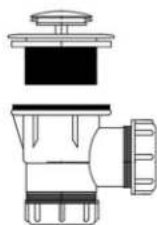
\*\*XX REPRESENTS DIFFERENT COLORS OF THE ITEM

# DRAIN ND-025-XX:

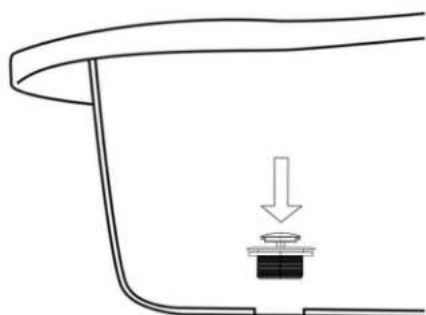
## HOW TO INSTALL THE DRAIN:

Please note that bathtub models that utilize this drain come WITHOUT an overflow. This is done so by design. NO overflow can be installed on bathtubs that utilize this drain model.

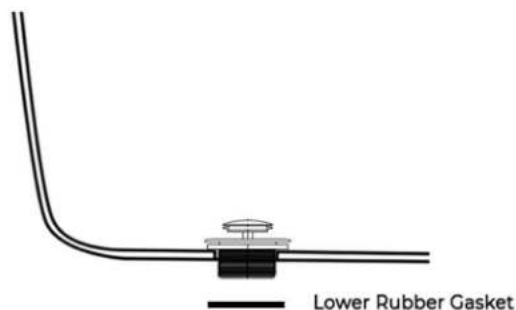
1. Unscrew the strainer from the drain tee that came in a separate box with your purchase.
2. Take off the larger, lower rubber gasket. DO NOT TAKE OFF THE SMALLER, UPPER GASKET



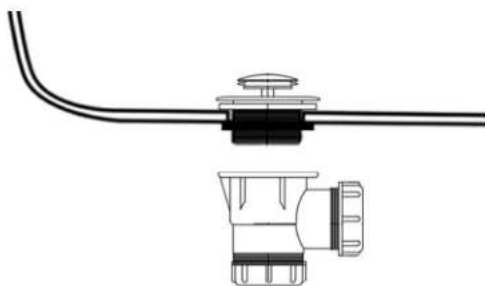
3. Place the strainer through the hole in the interior of the bathtub.



4. Take the lower gasket that was previously removed and re-attach it to the strainer from underneath the bathtub.



5. Take the drain tee and attach it to the strainer from underneath the bathtub. Tighten as much as possible.



\*\*XX REPRESENTS DIFFERENT COLORS OF THE ITEM

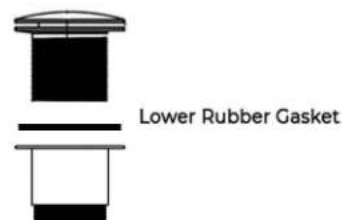
# DRAIN N-PU1606-XX

## HOW TO INSTALL THE DRAIN:

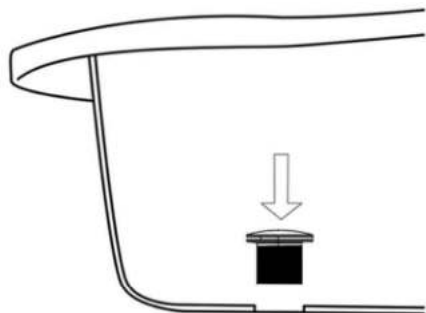
1. Unscrew the strainer from the drain tee that came in a separate box with your purchase



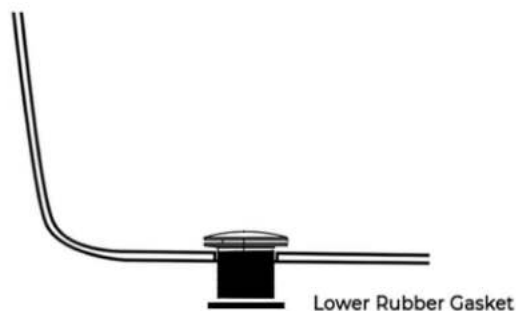
2. Take off the larger, lower rubber gasket. DO NOT TAKE OFF THE SMALLER, UPPER GASKET



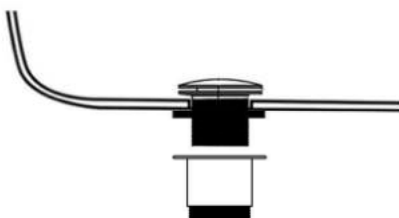
3. Place the strainer through the hole in the interior of the bathtub.



4. Take the lower gasket that was previously removed and re-attach it to the strainer from underneath the bathtub.



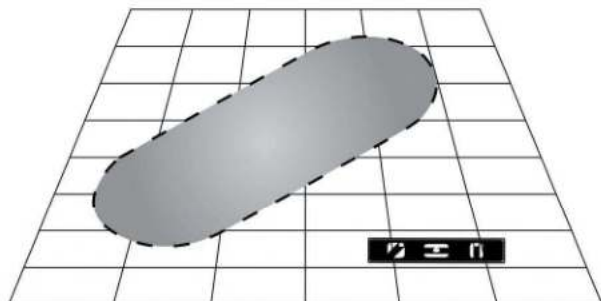
5. Take the drain tee and attach it to the strainer from underneath the bathtub. Tighten as much as possible.



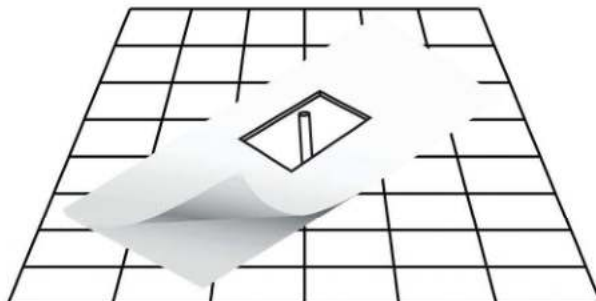
\*\*XX REPRESENTS DIFFERENT COLORS OF THE ITEM

# BATHTUB INSTALLATION

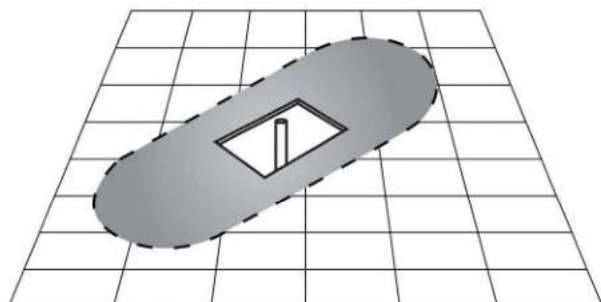
1. Ensure that the floor at the installation site has sufficient floor support and is level.



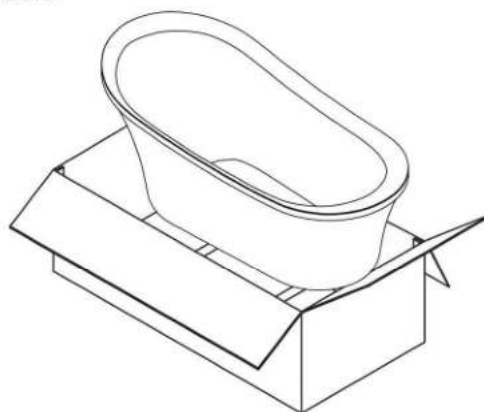
2. Waterproofing the floor is highly recommended.



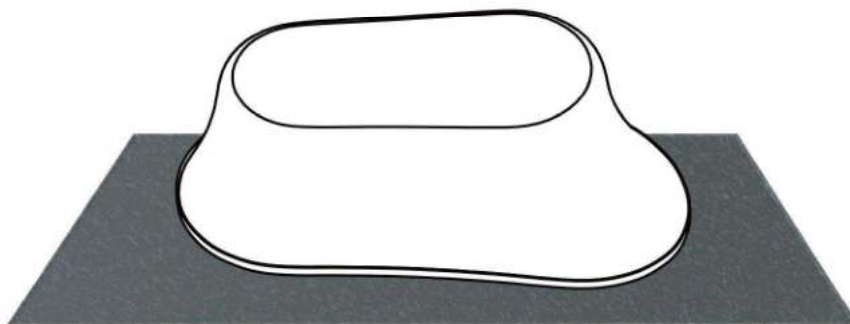
3. Determine the location of the drainpipe on the floor by taking measurements of the drain and waste location underneath the unit. Clean the drain hole area in preparation of setting the drain. The area should be dry & free from any debris.



4. Remove the bathtub from its box. It is recommended that the bathtub is carried by a minimum of two people. Ensure to carry and set down the bathtub only in the upside-down position.

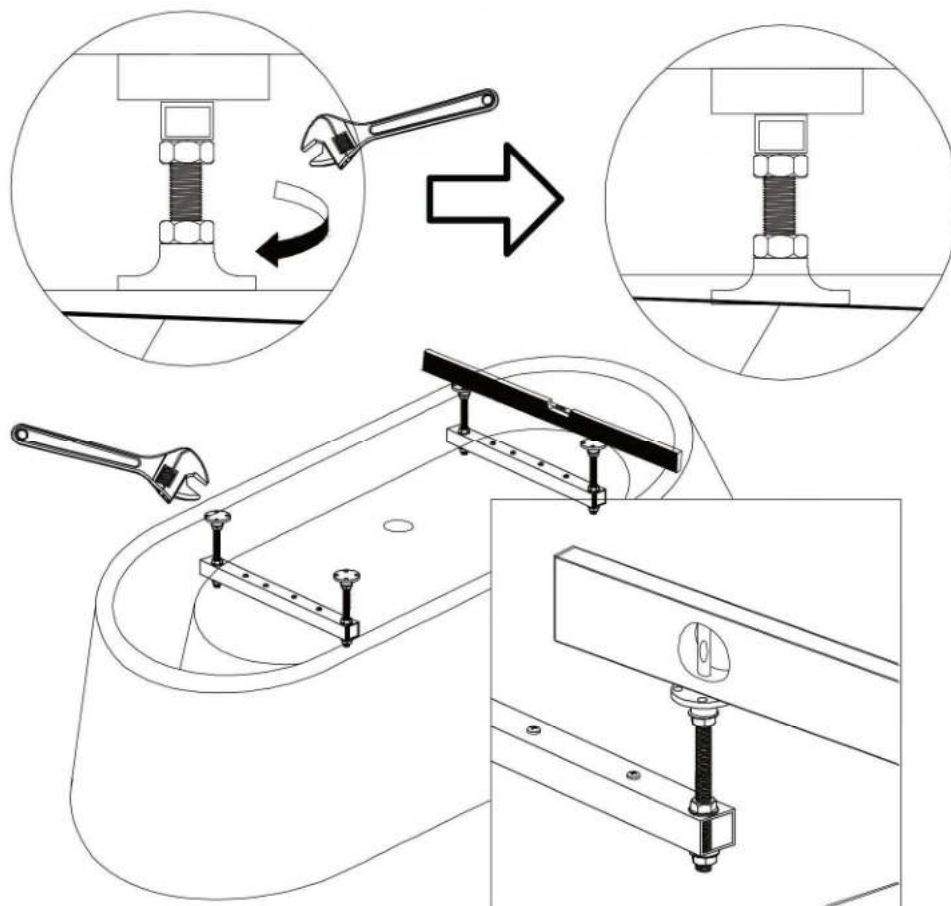


5. Gently place the bathtub in the upside-down position on a tarp or cardboard sheet in order to avoid contact with any rough surface

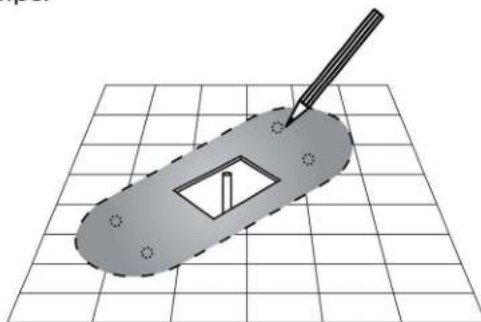


# BATHTUB INSTALLATION

6. Loosen the nuts & washers from the metal frame. Adjust the leveling feet to align with the bathtub's bottom as well as the floor and then tighten the washer and nuts. When leveling the bathtub, please make sure that the bathtub is sitting on the floor on the base of the bathtub, and NOT on all 4 leveling feet. Each individual leveling foot is to be used on a case-by-case basis to help even out and level the bathtub should the floor be uneven. All 4 leveling feet may or may not be required to be used.

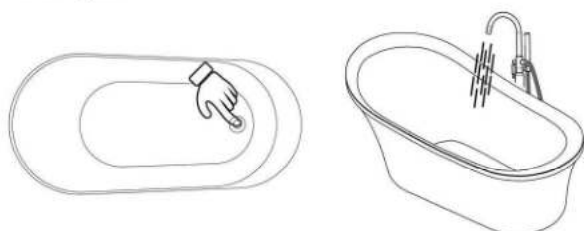


7. Ensure to mark all positions of leveling legs on the floor using a pencil. Move the bathtub into the desired location near the drainpipe.

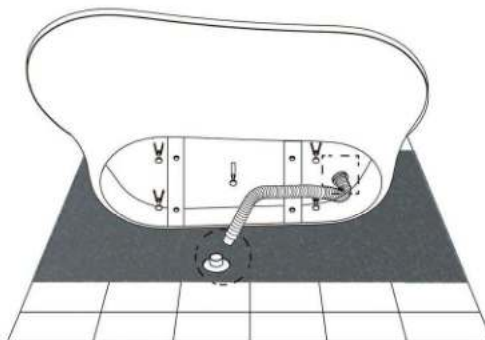


# BATHTUB INSTALLATION

8. Before proceeding with installation, push the pop up into a close position and fill the bathtub above the overflow [Note: some models may not have an overflow] to test for overflow and drain leakage.

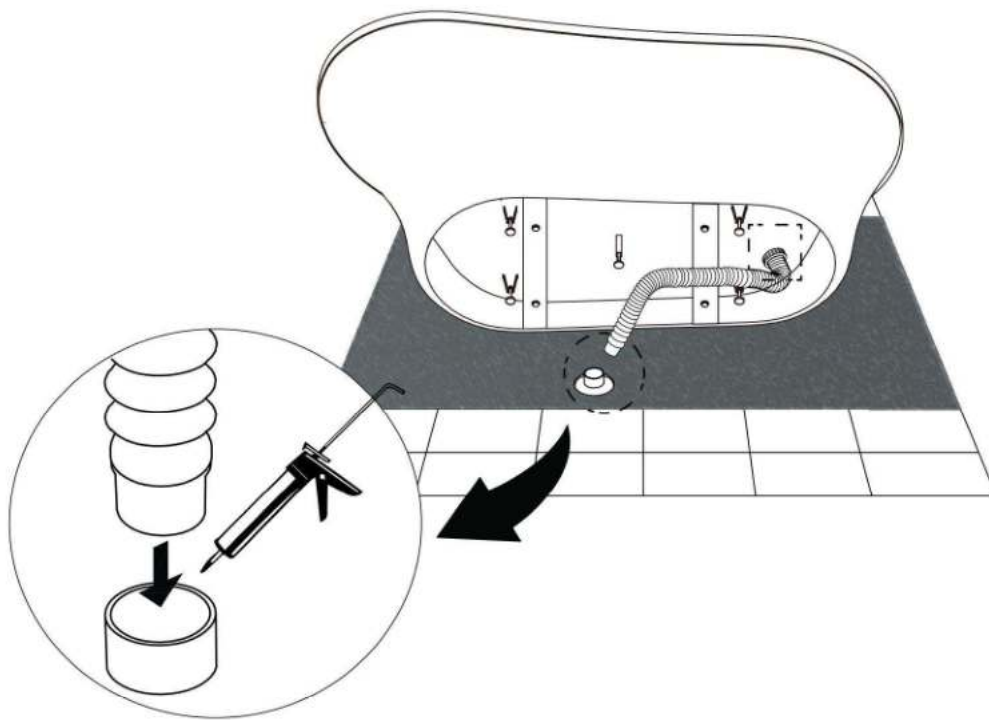


9. Proceed to place the provided flexible drain hose into the floor drain.



10. Please note, the flexible hose is a basic way that we provide to connect to the end plumbing in a home. The plumbing installation in every home differs, so please consult with a certified plumber to see if the plumbing in your home is compatible with using a basic flexible hose.

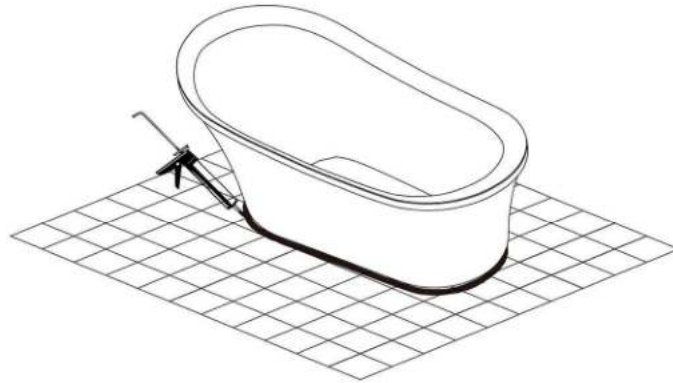
11. Seal the connection by using a PVC pipe sealant to join the parts together.



# BATHTUB INSTALLATION

---

12. Apply silicone along the bottom of the bathtub in order to create an airtight seal. Then apply a bead of tub & tile caulk around the edges of the base.



13. With the bathtub now in place, wipe off any excess silicone, tub & tile caulk where the bathtub meets the floor.



14. Allow for up to 24 hours for the adhesive material to set.

