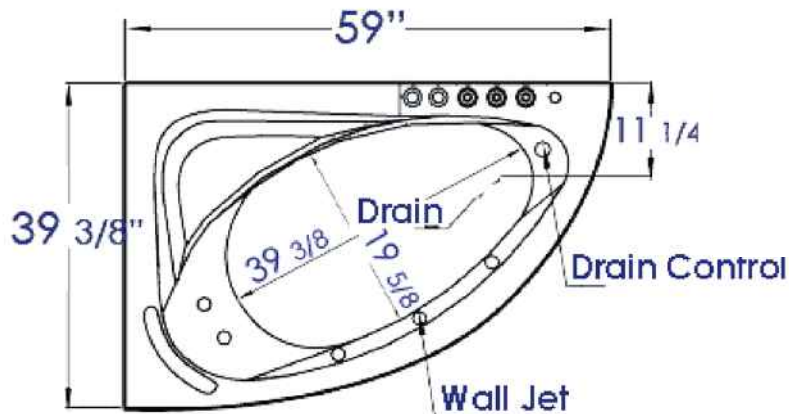
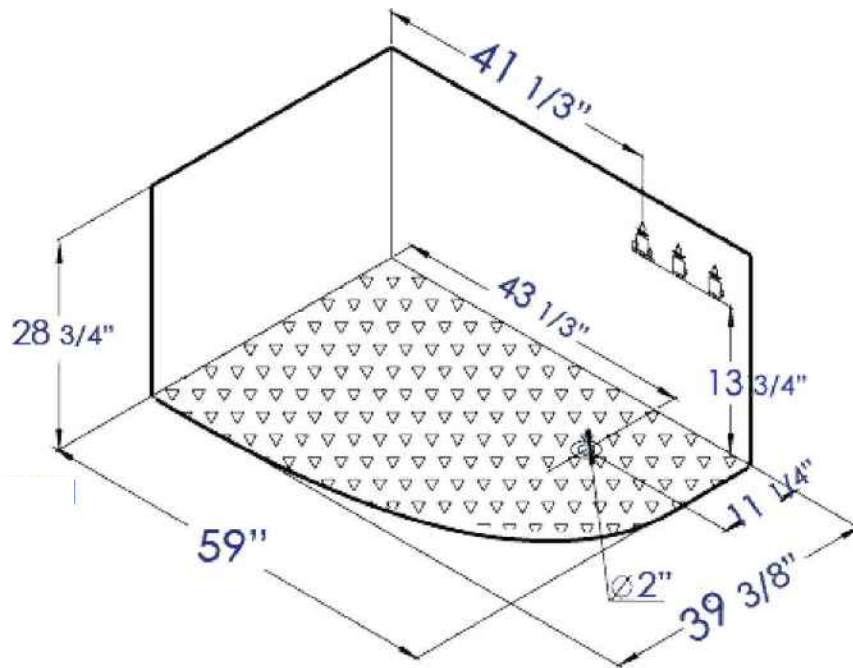


Fixtures from left to right:
 Air switch on/off for pump
 Water strength adjustment for pump
 Cold water
 Hot water
 Diverter
 Hand held shower head.



Note: All product dimensions are approximate and should be verified on site prior to installation.