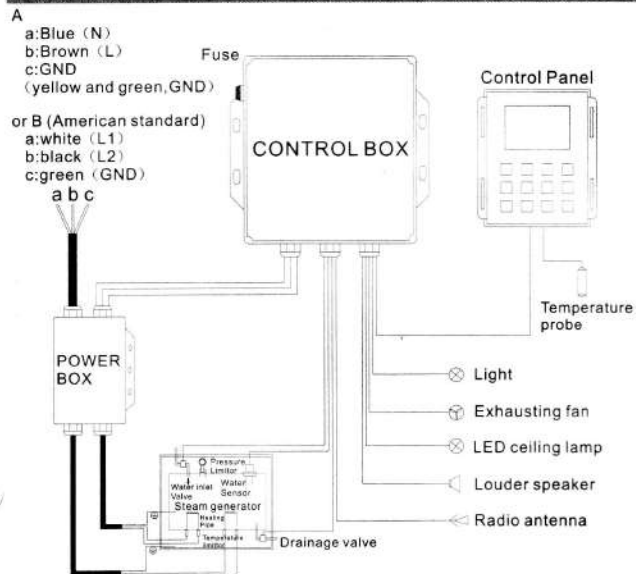


## Important safety information

1. Please read and follow this instruction
2. Power supply should be in accordance with local standard of leakage protector. Please test leakage protector before using product.
3. Ground wire of product should be connected to fixed ground wire permanently.
4. 1. To avoid electric shock, please don't use extension line to connect power supply, and choose suitable place to install socket. Please replace broken electric wire in time. Please ask professional electrician to operate electric wire installation and replacement.
5. Please don't use this product after alcohol or drugs.
6. The children should be closely supervised by parents.
7. 1. Warning: the water temperature shall never exceed 140 Fahrenheit when using this product .
8. Don't use strong causticity chemical liquid to clean product, such as sulphuric acid, hydrochloric acid, lye and etc.
9. The powers of steam generator are 3KW, 4.5KW and 6KW. Please use less than 2.5 square millimeter, 4 square millimeters and 6 square millimeter copper wire respectively as electric wire.
10. No humidifier is allowed in steam house.
11. Warning: please don't screw cleaning box to avoid being hurt by steam.

## Installation wiring diagram



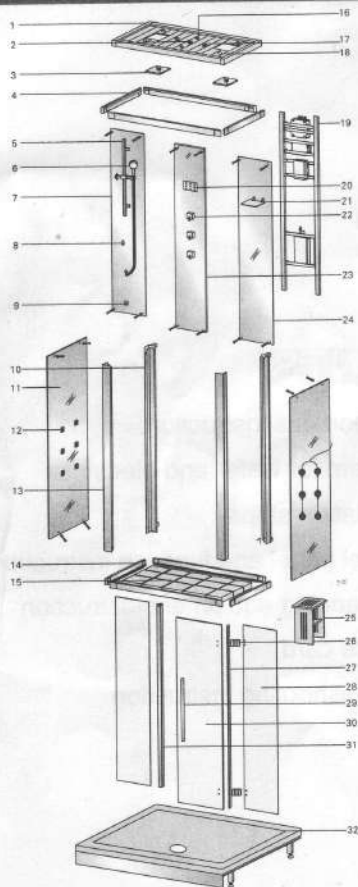
## Electrical parts specification

Configuration	massage pump	steam generator	LED ceiling lamp	exhausting fan	Solenoid valves	CPU	Speaker	Note
Parameter								
Rating voltage		AC220-240V/50HZ	DC12V	DC12V	DC12V	AC220V-240V/ 50HZ		
Rating voltage		AC240V/60HZ	DC12V	DC12V	DC12V	AC240V/60HZ		
Rating power		3000W	10W	3W	5W		10W	
Rating power		4500W	10W	3W	5W		10W	
Rating power		6000W	10W	3W	5W		10W	

## **CONTENTS**








- 01-02 Components instruction
- 03 Diagram for water and electricity
- 04-10 Installation steps
- 11-12 Control panel and function instruction
- 13 Dirt cleaning equipment instruction
- 14 Service card
- 16 Troubleshooting instruction

# Parts instruction



1. Top cover	2. Exhausting fan	3. H-2065 top shower	4. Upper fixed aluminum profile
5. Quadrate fitting support	6. Shower head	7. Left back panel	8. Generator cleaning inlet
9. Quadrate steam outlet	10. Corner aluminum profile (back)	11. Side panel	12. Quadrate jet
13. Corner aluminum profile (front)	14. Lower fixed aluminum profile	15. Bottom pallet	16. Light
17. Speaker	18. LED ceiling lamp	19. Fixed frame	20. Control panel
21. Supporter	22. Faucet and deviator	23. Middleback panel	24. Right back panel

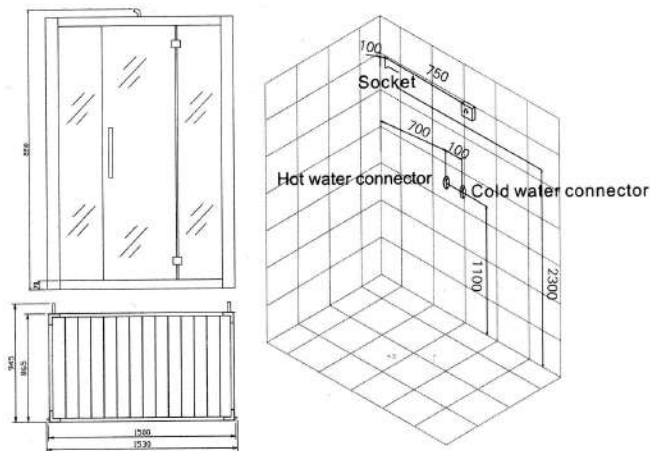
## Parts package

4x25 flat self locking screw 36pcs	4x20 flat self locking screw 16pcs
	
Colloidal particle 36pcs	Glass cement (black) 1 pc
	
2.5mm hexagon wrench 1pc	3 mm hexagon wrench 1pc
	
4mm hexagon wrench 1pc	Delting 10pcs
	

25.Stool	26.Clip	27.Waterproof seal
		
28.Front fixed glass	29.Handle(small)	30.Movable door
		
31.Magnetic stripe	32.Tray	
		

## Diagram for water and electricity

Size: 1500mmX945mmX2210mm

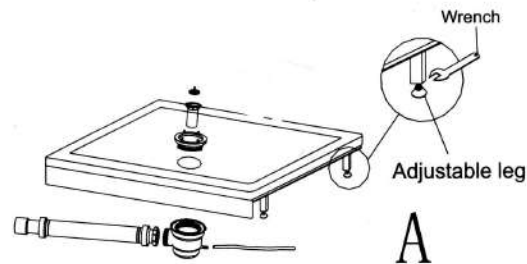


## Installation instruction 1

1. Put shower tray on installation place and adjust till it meets level condition.

Method: put water level on the flat surface of shower tray to check if the shower tray is horizontal or not. If it is not horizontal, please adjust the height of adjustable leg to keep the product horizontal. Refer to picture A.

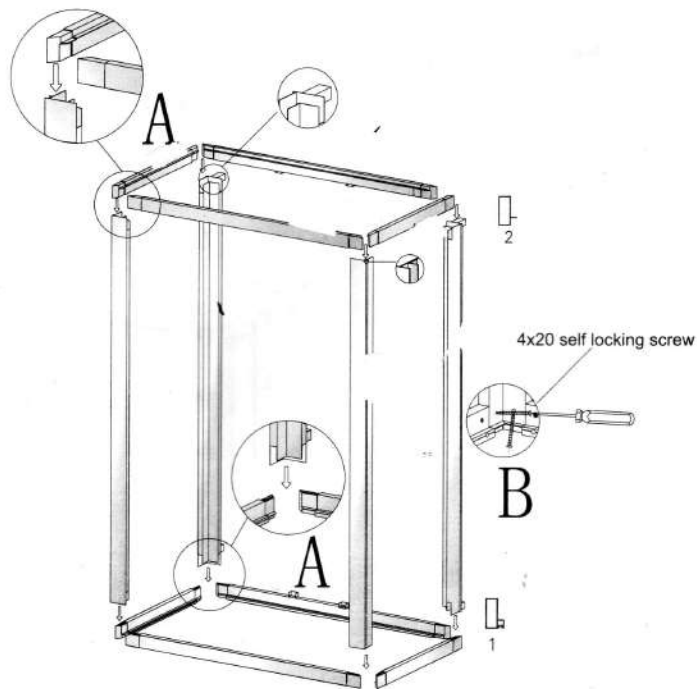
2. Put drainer on the bottom of shower tray, then connect little silicone tube to the top of drainer.





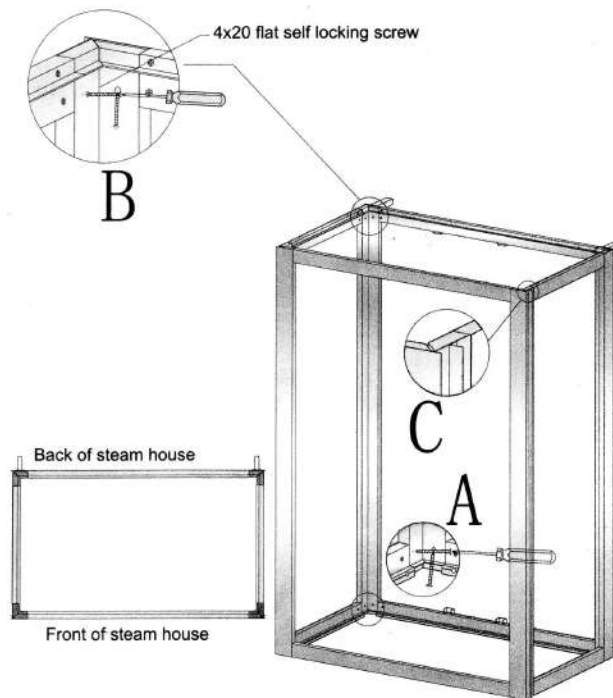
## Installation instruction 2

Put lower fixed aluminum profile 1 on the ground, then follow picture A to insert corner profiles in lower corner aluminum profile 1 with 4x20 self locking screw as picture B. Then fix upper fixed aluminum profile 2 to the corners profiles in the same way.



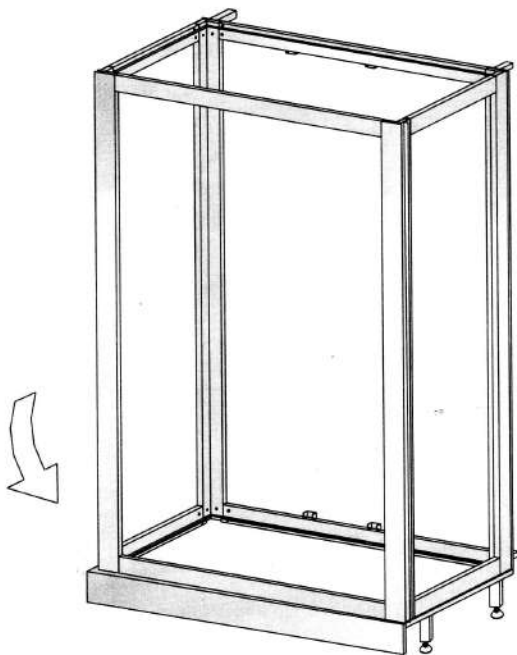
## Installation instruction 3

Follow picture 2 to screw 8 corners tightly with 4x20 flat self locking screw as picture A and B. Check and make sure the gap between of aluminum alloy matching surface is less than 0.5 as picture C.



## Installation instruction 4

Put aluminum profiles on shower tray.



## Installation instruction 5

Put the side glass panels between side corner profiles. Insert rubber plugs into the hole with 4x25mm flat self locking screw tightly as picture 3 to fasten the side glass panels. Please use fingers to push water inlet pipe into rubber plugs after installation.

