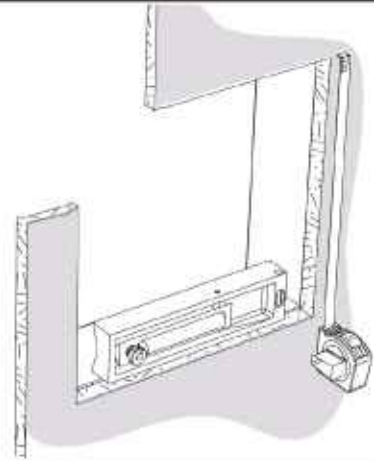
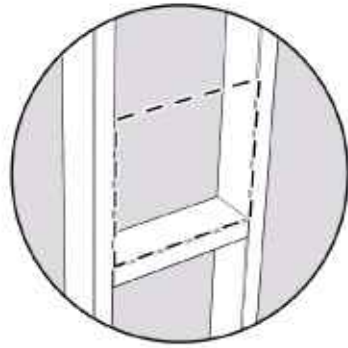




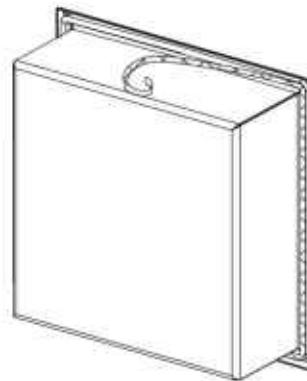
Shower Niche Installation Instructions

- 1** Add horizontal stud to support bottom of Niche

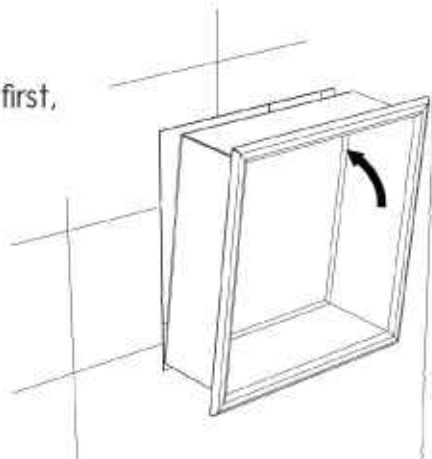
Refer to specifications for cut out dimensions



- 2** Peel off the tape cover.



- 3** Rest the bottom first, then push in.



Apply silicone around all edges.

