

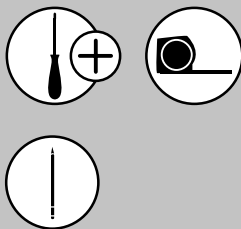
# REV-A-SHELF®

Innovation through Organization™

## INSTALLATION INSTRUCTIONS

### TOP MOUNT WASTE CONTAINER PULLOUT

#### TOOLS REQUIRED:



#### ESTIMATED ASSEMBLY TIME:

**20 MIN**

#### CARE AND MAINTENANCE:

Clean with a damp cloth and wipe parts dry.

#### STEP 1

Remove wood frame from slides. Pull frame out until slides are fully extended, press black release lever found in the middle of the slide, and firmly pull frame completely away from the slides (See Figure A).

#### STEP 2

Attach the slides to the cabinet side walls. Using measurements from Figure B, lay slides flush with the front of the cabinet and attach using #8 x 5/8" pan head screws.



#### PARTS LIST

No.	Description	QTY.
1	Wood Frame w/ Slides & Door Mount Brackets	1
2	Waste Container(s)	1 or 2 (depending on unit purchased)
3	Rear Plastic Bin	1 (not included on all units)
4	#6 x 1/2" Flat Head Screws	6
5	#8 x 5/8" Pan Head Screws	4
6	Double Stick Tape	2

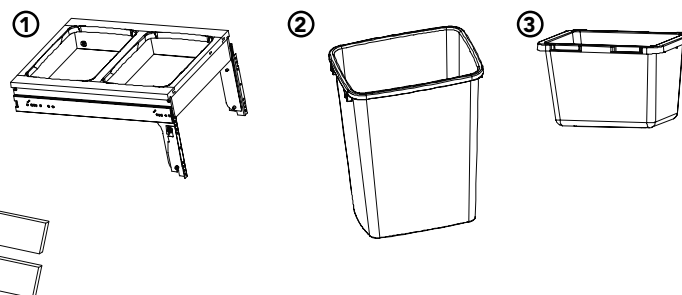


Figure A

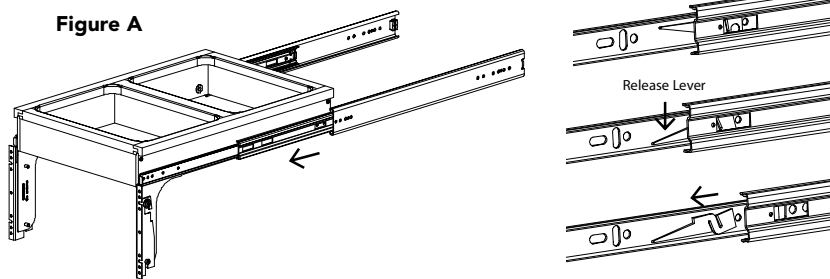
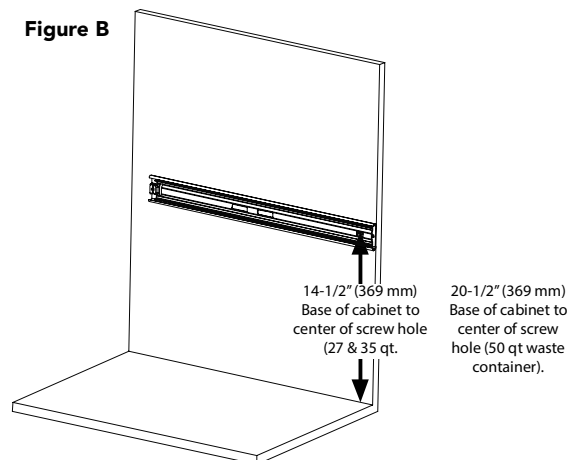


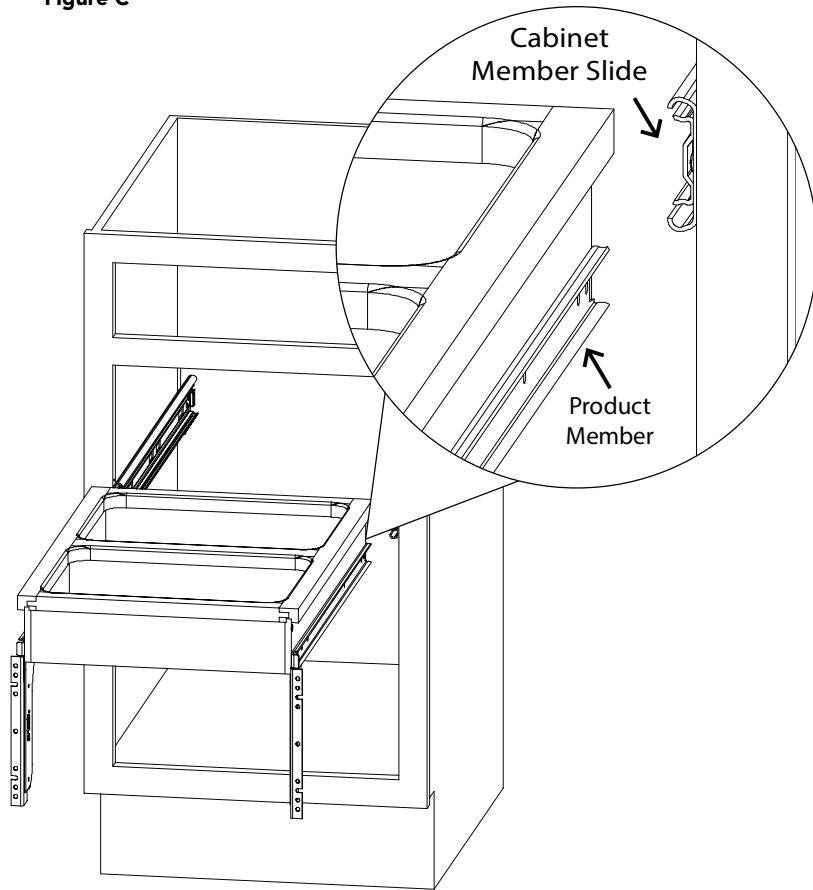
Figure B



**STEP 3**

To attach the frame back to the slides, first make sure the ball bearings are moved to the front of the slides attached to the cabinet. Glide frame back onto those slides **(See Figure C)**. Fully cycle the unit a few times.

**Figure C**

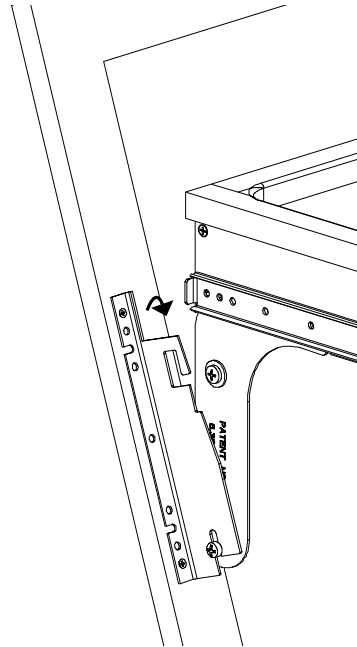


**STEP 4**

**Note: See separate worksheet for door mounting instructions.**

Attach door with brackets to wood frame. Locate mounting screws on the frame's mounting brackets and hang the door brackets over them **(See Figure D-1)**. Tighten the bottom screw first, close the unit and firmly press each corner of the door, re-open and tighten the top screws **(See Figure D-2)**.

**Figure D-1**



**Figure D-2**

