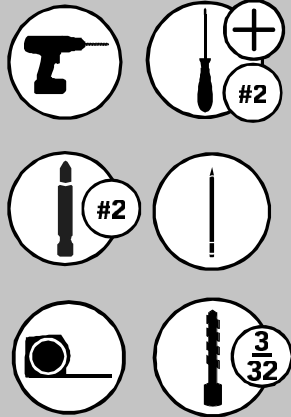


Innovation through Organization™

## INSTALLATION INSTRUCTIONS

### CHROME UNIVERSAL WASTE PULLOUT

#### TOOLS REQUIRED:



#### ESTIMATED ASSEMBLY TIME:

**15 MIN**

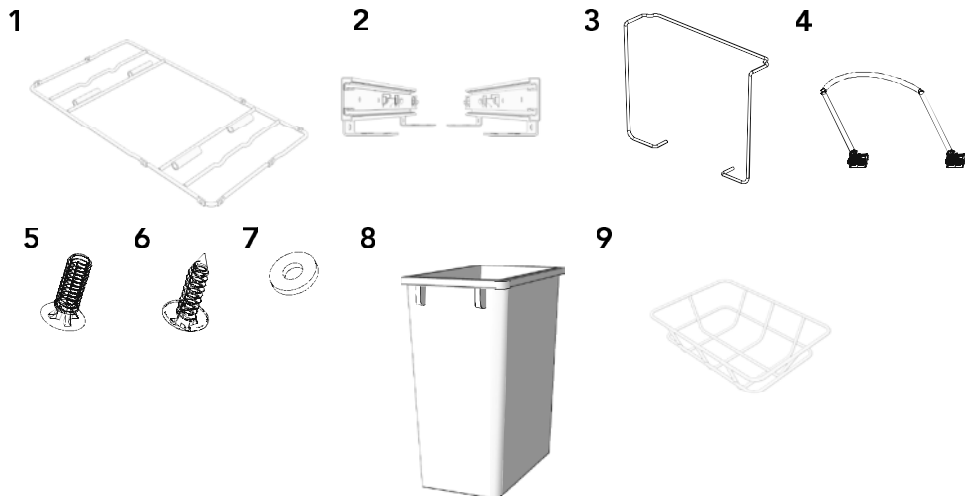
#### CARE AND MAINTENANCE:

Clean with a damp cloth and wipe parts dry.

#### Parts List

No.	Description	Qty
1	Frame	1
2	Slides	2
3	Uprights	2
4	Handle	1
5	#8-32 X 3/8" Flat Head Machine Screws	4
6	#8 X 3/4" Truss Head Deep Thread Screws	4
7	#8 Washers	4
8	Waste Container (20 qt or 32 qt)	1
9	Wire Basket*	1

\* Dependent on unit purchased

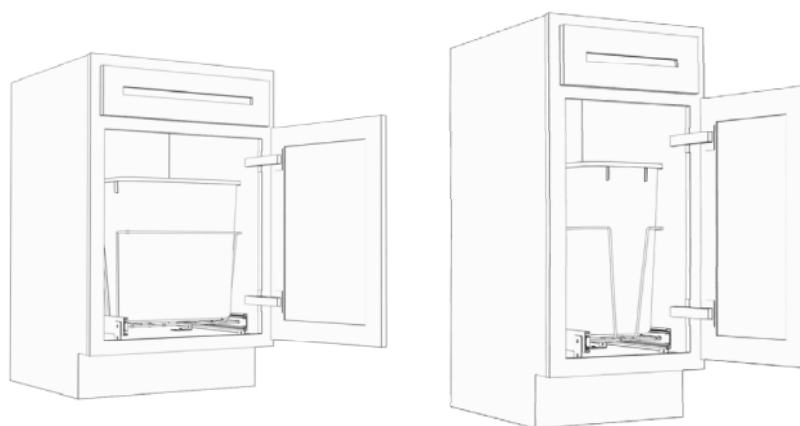


**STEP 1**

Determine the position you would like to install your waste container, ensuring cabinet frame or hinges does not interfere with the unit (See Figure 1).



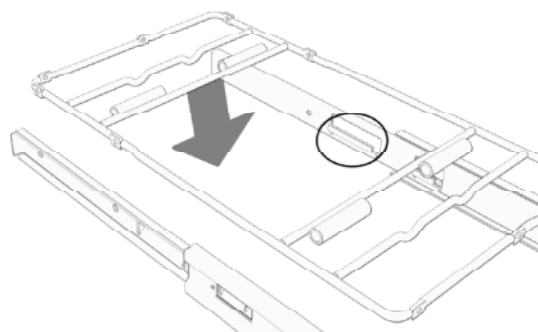
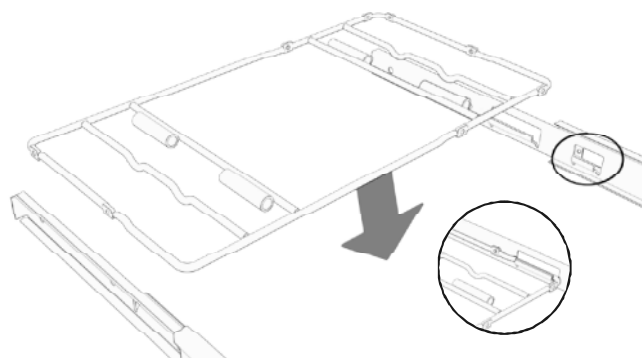
FIG. 1



**STEP 2**

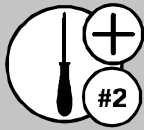
Match the frame hole locations with slide hole locations and snap the frame into the slides (See Figure 2).

FIG. 2

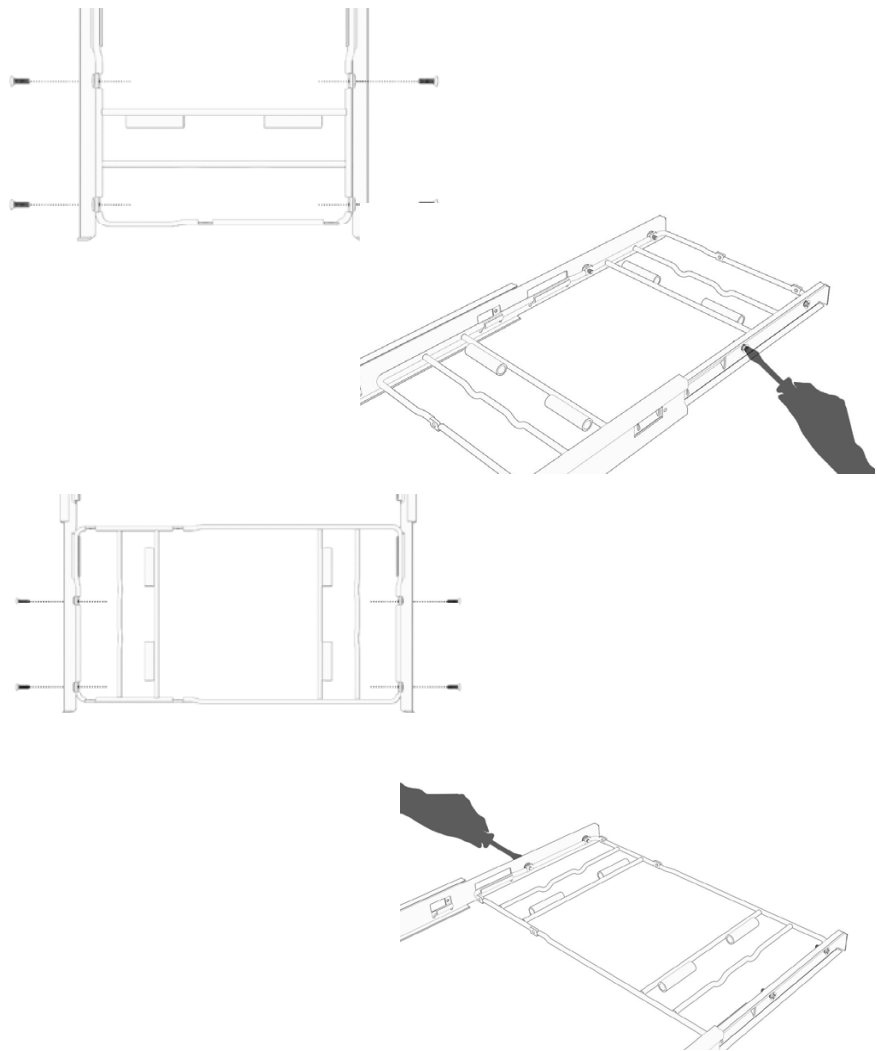


**STEP 3**

Extend the slides to full extension and use the (4) #8 washers and #8-32 X 3/8" flat head machine screws to secure the frame to the slides (See Figure 3).

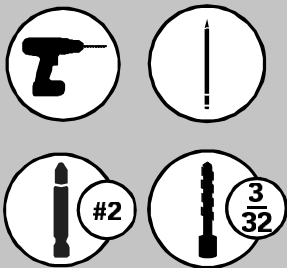


**FIG. 3**

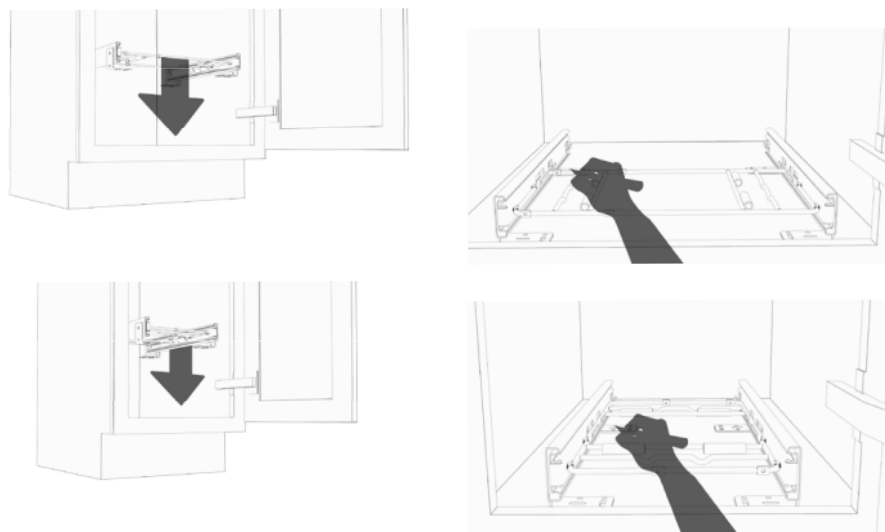


**STEP 4**

Place frame in desired position (determined in Step 1) inside the cabinet. Mark and pre-drill screw locations using 3/32" drill bit and #8 x 3/4" truss head deep thread screws (See Figure 4).

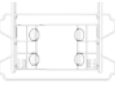
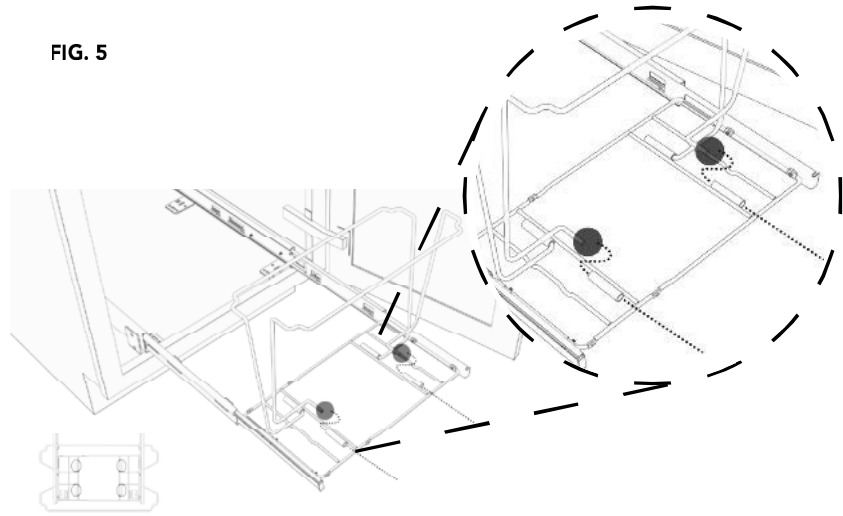


**FIG. 4**



**STEP 5**

Attach the uprights to the frame and place trash can in the uprights (See Figure 5).



**STEP 6**

Snap the handle to the front upright. (See Figure 6).

**Note:** Continue to Step 7 if you have a unit that comes with a rear basket.

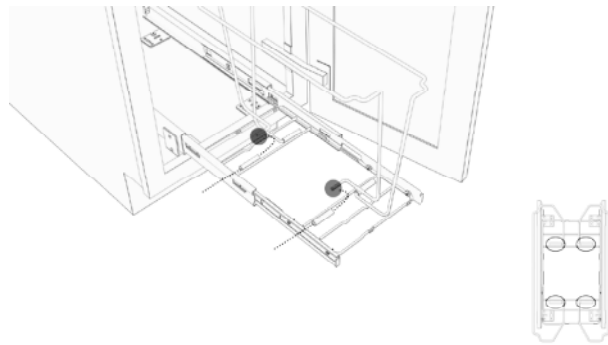
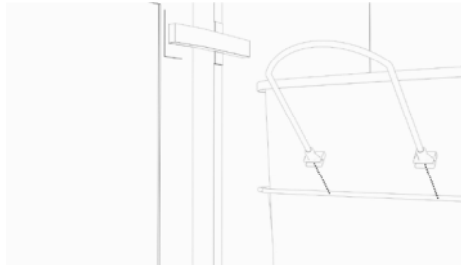


FIG. 6



**STEP 7**

Line up the basket to back clips on the frame and snap into place (See Figure 6).

**Note:** Not all units come with a wire basket

FIG. 7

