



USC12-1-35WH
(with optional QT35LB-W lid)



USC15-2-35PT
(with custom rail accents)

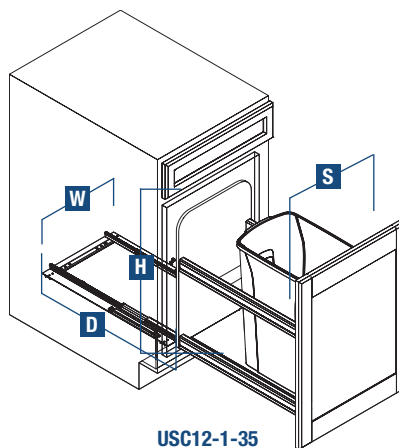


USC18-2-50PT

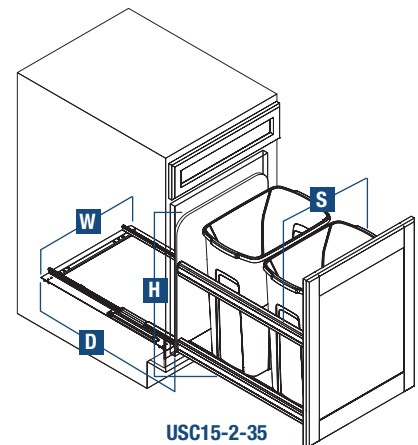
Soft-Close, Undermount Waste & Recycling Bins (door-mounted)



- Heavy-duty, undermount slide with soft-close technology
- Installs in minutes using self-aligning brackets secured with only four screws
- Color coordinated aluminum side rails provide stability and conceal slide hardware
- Unique, washable, solid backsplash and floor:
 - Prevents debris from falling through to floor/cabinet
 - Easy to clean
 - Conceals hardware
- Decorative rail accents can be customized to match countertops or cabinetry
- Bins with optional Lids (order Lids on page 14)



USC12-1-35



USC15-2-35



Door-Mount Bracket

- Fits standard width opening up to door sizes 3" wider
- Simple, concealed two screw door-leveling
- Slotted screw holes allow for easy door-centering
- Accommodates overlay or inset doors

Stock #	Sliding Assembly	Assembled Product Dimensions			Capacity # Units per Weight per				
	S Width	W Width	H Height*	D Depth	Finish	per Bin	Units per Carton	Weight per Carton	
SINGLE BIN UNITS									
USC12-1-35WH	11-13/16" [299 mm]	11-13/16" [299 mm]	19-3/16" [487 mm]	22-7/16" [570 mm]	White	35 Qt.	1	1	19.7 lbs. [8.9 kg.]
USC12-1-35PT	11-13/16" [299 mm]	11-13/16" [299 mm]	19-3/16" [487 mm]	22-7/16" [570 mm]	Platinum	35 Qt.	1	1	19.7 lbs. [8.9 kg.]
USC12-1-50WH	11-13/16" [299 mm]	11-13/16" [299 mm]	23-1/4" [591 mm]	22-7/16" [570 mm]	White	50 Qt.	1	1	22.1 lbs. [10 kg.]
USC12-1-50PT	11-13/16" [299 mm]	11-13/16" [299 mm]	23-1/4" [591 mm]	22-7/16" [570 mm]	Platinum	50 Qt.	1	1	22.1 lbs. [10 kg.]
DOUBLE BIN UNITS									
USC12-2-27WH	NEW SIZE! 11-13/16" [300 mm]	11-13/16" [300 mm]	19-1/2" [496 mm]	22-7/16" [570 mm]	White	27 Qt.	2	1	20.9 lbs. [9.5kg.]
USC12-2-27PT	NEW SIZE! 11-13/16" [300 mm]	11-13/16" [300 mm]	19-1/2" [496 mm]	22-7/16" [570 mm]	Platinum	27 Qt.	2	1	20.9 lbs. [9.5kg.]
USC15-2-35WH	14-13/16" [376 mm]	14-13/16" [376 mm]	19-3/16" [487 mm]	22-7/16" [570 mm]	White	35 Qt.	2	1	23.5 lbs. [10.7 kg.]
USC15-2-35PT	14-13/16" [376 mm]	14-13/16" [376 mm]	19-3/16" [487 mm]	22-7/16" [570 mm]	Platinum	35 Qt.	2	1	23.5 lbs. [10.7 kg.]
USC18-2-50WH	14-13/16" [376 mm]	15-3/8" [391mm]	23-1/4" [592mm]	22-7/16" [570 mm]	White	50 Qt.	2	1	24 lbs. [10.9kg]
USC18-2-50PT	14-13/16" [376 mm]	15-3/8" [391mm]	23-1/4" [592mm]	22-7/16" [570 mm]	Platinum	50 Qt.	2	1	24 lbs. [10.9kg]

* If using lid, add 3/4".

30 lbs. maximum per bin, not to exceed 80 lbs. total weight. Not intended for bulk storage.

See pages 16-17 for recommended cabinet dimensions and clearances. See page 14 for bin and lid information.

kitchensource.com

1.800.667.8721