

# Standard, Bottom-Mount Waste & Recycling Bins

Available  
July  
2015

(door-mount optional)

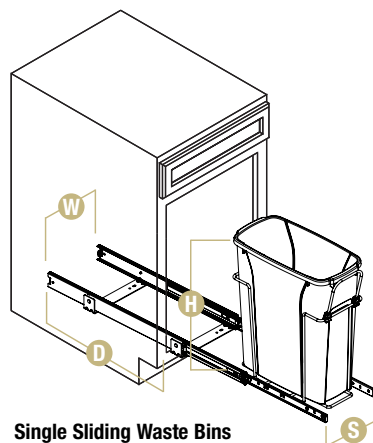
- KV heavy-duty ball bearing precision slides
- Updated wire management system holds bins securely in place
- Pre-assembled units with heavy duty mounting straps install easily with only 4 screws
- Clip-on handle comes single and double-bin units. Integrated handle on all three and four bin units
- Optional Door-Mount Bracket (page 12)
- Optional lids available (page 14)



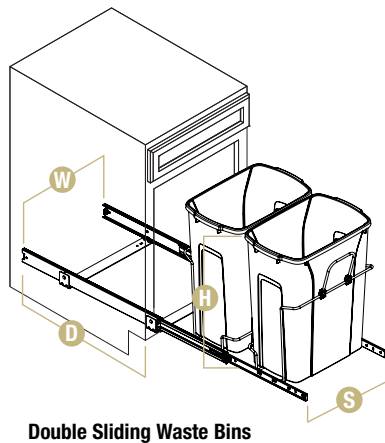
SBM15-3-20WH



SBM15-1-20WH



Single Sliding Waste Bins  
(SBM15-1-20WH shown)



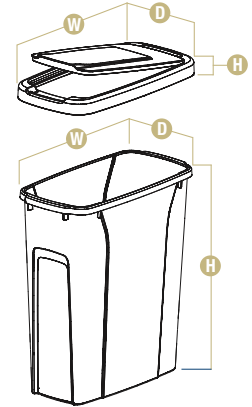
Double Sliding Waste Bins  
(SBM15-2-35WH shown)

Stock #	Sliding Assembly		Assembled Product Dimensions				Finish	Capacity per Bin	Number of Bins	Units per Carton	Weight per Carton		
	S	Width	W	Width	H	Height*						D	Depth
<b>SINGLE BIN UNITS</b>													
SBM9-1-20WH**	8-3/8"	[213 mm]	8-3/8"	[213 mm]	17-5/16"	[440 mm]	20-1/8"	[511 mm]	White	20 qt.	1	1	10.3lbs. [4.7 kg.]
SBM10-1-35WH**	9-5/8"	[244 mm]	9-5/8"	[244 mm]	18-13/16"	[478 mm]	20-1/8"	[511 mm]	White	35 qt.	1	1	9.4 lbs. [4.3 kg.]
SBM12-1-50WH**	11-3/8"	[289 mm]	11-3/8"	[289 mm]	22-7/8"	[581 mm]	20-1/8"	[511 mm]	White	50 qt.	1	1	10.5 lbs. [4.8 kg.]
SBM15-1-20WH**	14-3/8"	[365 mm]	14-3/8"	[365 mm]	17-5/16"	[440 mm]	16"	[406 mm]	White	20 qt.	1	1	9.3 lbs. [4.2 kg.]
SBM15-1-35WH**	14-3/8"	[365 mm]	14-3/8"	[365 mm]	18-3/4"	[478 mm]	16"	[406 mm]	White	35 qt.	1	1	14.6 lbs. [6.6 kg.]
<b>DOUBLE BIN UNITS</b>													
SBM12-2-27WH**	11-3/8"	[289 mm]	11-3/8"	[289 mm]	18-3/4"	[476 mm]	22"	[558 mm]	White	27 qt.	2	1	12.9 lbs. [5.9 kg.]
SBM15-2-20WH**	14-3/8"	[365 mm]	14-3/8"	[365 mm]	17-5/16"	[440 mm]	20-1/8"	[511 mm]	White	20 qt.	2	1	16.8 lbs. [7.6 kg.]
SBM15-2-35WH**	14-3/8"	[365 mm]	14-3/8"	[365 mm]	18-13/16"	[478 mm]	22"	[558 mm]	White	35 qt.	2	1	18.3 lbs. [8.3 kg.]
<b>TRIPLE BIN UNITS</b>													
SBM15-3-20WH	14-3/8"	[365 mm]	14-3/8"	[365 mm]	17-9/16"	[440 mm]	22"	[558 mm]	White	20 qt.	3	1	14.9 lbs. [6.8 kg.]
<b>FOUR BIN UNITS</b>													
SBM24-4-27WH	23-3/8"	[594 mm]	23-3/8"	[594 mm]	19"	[483 mm]	22"	[558 mm]	White	27 qt.	4	1	18.4 lbs. [8.3 kg.]

\* If using lid, add 3/4". 30 lbs. maximum per bin, not to exceed 80 lbs. total weight. Not intended for bulk storage.

# Replacement Bins & Lids

Stock #	Dimensions			Finish	Description	Units per Carton	Weight per Carton
	W Width	H Height**	D Depth				
<b>BINS</b>							
QT20PB-WH	14-1/4" [362 mm]	16" [406 mm]	7-1/4" [184 mm]	White	20 Qt.	6	12 lbs. [5.4 kg.]
QT20PB-PT	14-1/4" [362 mm]	16" [406 mm]	7-1/4" [184 mm]	Platinum	20 Qt.	6	12 lbs. [5.4 kg.]
QT27PB-W	10-5/8" [270 mm]	17-3/4" [451 mm]	10-5/8" [270 mm]	White	27 Qt.	10	17.4 lbs. [7.9 kg.]
QT27PB-PT	10-5/8" [270 mm]	17-3/4" [451 mm]	10-5/8" [270 mm]	Platinum	27 Qt.	10	17.4 lbs. [7.9 kg.]
QT32PB-W	14" [356 mm]	20" [508 mm]	11-3/4" [298 mm]	White	32 Qt.	1	4 lbs. [1.8 kg.]
QT35PB-WH	14-1/4" [362 mm]	17-1/2" [445 mm]	9-3/16" [233 mm]	White	35 Qt.	6	14 lbs. [6.4 kg.]
QT35PB-PT	14-1/4" [362 mm]	17-1/2" [445 mm]	9-3/16" [233 mm]	Platinum	35 Qt.	6	14 lbs. [6.4 kg.]
QT50PB-W	15-3/8" [391 mm]	21-5/8" [549 mm]	11-1/8" [283 mm]	White	50 Qt.	8	20 lbs. [9.1 kg.]
QT50PB-P	15-3/8" [391 mm]	21-5/8" [549 mm]	11-1/8" [283 mm]	Platinum	50 Qt.	8	20 lbs. [9.1 kg.]
QT60PB-W*	19-1/8" [486 mm]	19-5/8" [498 mm]	13-7/8" [352 mm]	White	60 Qt.	6	19.9 lbs. [9.0 kg.]
<b>LIDS</b>							
QT20LB-WH	14-1/2" [368 mm]	**	7-7/16" [189 mm]	White	Fits 20 Qt.	1	2 lbs. [0.9 kg.]
QT20LB-PT	14-1/2" [368 mm]	**	7-7/16" [189 mm]	Platinum	Fits 20 Qt.	1	2 lbs. [0.9 kg.]
QT35LB-WH	14-1/2" [368 mm]	**	9-9/16" [243 mm]	White	Fits 35 Qt.	1	2 lbs. [0.9 kg.]
QT35LB-PT	14-1/2" [368 mm]	**	9-9/16" [243 mm]	Platinum	Fits 35 Qt.	1	2 lbs. [0.9 kg.]



Replacement Bin Chart					
Product Number:	Replacement Stock Number:	Product Number:	Replacement Stock Number:	Product Number:	Replacement Stock Number:
SCB10-1-35WH	QT35PB-WH	PDMTM145-1-50WH	QT50PB-W	TSC15-1-35WH	QT35PB-WH
SCB10-1-35PT	QT35PB-PT	PDMTM15-2-35WH	QT35PB-WH	TSC15-1-35PT	QT35PB-PT
SCB12-1-50WH	QT50PB-W	PDMTM175-2-35WH	QT35PB-WH	TSC15-1-50WH	QT50PB-W
SCB12-1-50PT	QT50PB-P	PDMTM18-2-35WH	QT35PB-WH	TSC15-1-50PT	QT50PB-P
SCB12-2-27WH	QT27PB-W	PDMTM21-2-35WH	QT35PB-WH	TSC15-2-35WH	QT35PB-WH
SCB12-2-27PT	QT27PB-PT	PRC12-2-27-W	QT27PB-W	TSC15-2-35PT	QT35PB-PT
SCB15-1-20WH	QT20PB-WH	PRC24-4-27-W	QT27PB-W	TSC18-2-35WH	QT35PB-WH
SCB15-1-20PT	QT20PB-PT	PSW10-1-35WH	QT35PB-WH	TSC18-2-35PT	QT35PB-PT
SCB15-2-20WH	QT20PB-WH	PSW12-1-50-W	QT50PB-W	USC12-1-35WH	QT35PB-WH
SCB15-2-20PT	QT20PB-PT	PSW15-1-20WH	QT20PB-WH	USC12-1-35PT	QT35PB-PT
SCB15-2-35WH	QT35PB-WH	PSW15-1-35WH	QT35PB-WH	USC12-1-50WH	QT50PB-W
SCB15-2-35PT	QT35PB-PT	PSW15-2-20WH	QT20PB-WH	USC12-1-50PT	QT50PB-PT
SCB15-3-20WH	QT20PB-WH	PSW15-2-35WH	QT35PB-WH	USC12-2-27WH	QT27PB-W
SCB15-3-20PT	QT20PB-PT	PSW15-3-20WH	QT20PB-WH	USC12-2-27PT	QT27PB-PT
SCB24-4-27WH	QT27PB-W	PSW9-1-20WH	QT20PB-WH	USC15-2-35WH	QT35PB-WH
SCB24-4-27PT	QT27PB-PT	RRC28K-W	QT32PB-W	USC15-2-35PT	QT35PB-PT
SCB9-1-20PT	QT20PB-PT	RRC28PT-W	QT32PB-W	USC18-2-50WH	QT50PB-WH
SCB9-1-20WH	QT20PB-WH	TSC12-1-35WH	QT35PB-WH	USC18-2-50PT	QT50PB-PT
PDMTM115-1-35WH	QT35PB-WH	TSC12-1-35PT	QT35PB-PT	PDMSH15-1-60-W	QT60PB-W
PDMTM12-1-35WH	QT35PB-WH			PSH15-1-60-W	QT60PB-W



See pages 16-17 for recommended cabinet dimensions and clearances. See page 14 for bin and lid information.

\* Replacement bin for Roll-Out Plastic Hampers (PSH15-1-60-W and PDMSH15-1-60-W). See page 60 for product information.

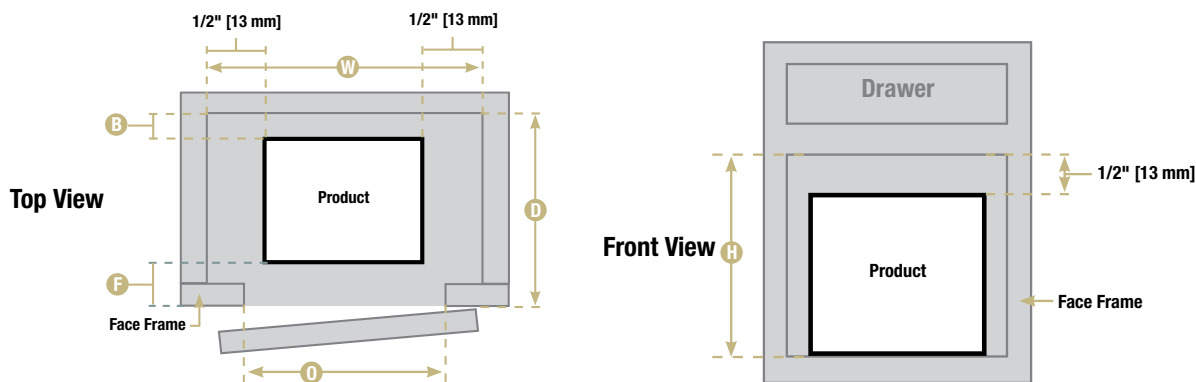
\*\* Lid adds 3/4" [19 mm] to bin height.

# Cabinet Dimensions

Stock #	Minimum Cabinet Opening		Minimum Interior Cabinet Dimensions			Minimum Cabinet Clearances	
	O Width	W Width	H Height*	D Depth	F Front	B Back	
<b>Single Bin Units</b>							
<b>Non-Door-Mount</b>							
ECW9-1-20WH	14-1/2" [368 mm]	7-1/2" [191 mm]	17-1/2" [444 mm]	16" [406 mm]	1/4" [6 mm]	1/8" [3 mm]	
ECW10-1-35WH	14-1/2" [368 mm]	10" [254 mm]	19" [482 mm]	16" [406 mm]	1/4" [6 mm]	1/8" [3 mm]	
SCB9-1-20PT	9" [229 mm]	9" [229 mm]	17-13/16" [452 mm]	20-1/2" [521 mm]	1/4" [6 mm]	1/8" [3 mm]	
SCB9-1-20WH	9" [229 mm]	9" [229 mm]	17-13/16" [452 mm]	20-1/2" [521 mm]	1/4" [6 mm]	1/8" [3 mm]	
SCB10-1-35PT	10" [254 mm]	10" [254 mm]	19-5/16" [491 mm]	20-1/2" [521 mm]	1/4" [6 mm]	1/8" [3 mm]	
SCB10-1-35WH	10" [254 mm]	10" [254 mm]	19-5/16" [491 mm]	20-1/2" [521 mm]	1/4" [6 mm]	1/8" [3 mm]	
SCB12-1-50PT	12" [305 mm]	12" [305 mm]	23-3/8" [594 mm]	20-1/2" [521 mm]	1/4" [6 mm]	1/8" [3 mm]	
SCB12-1-50WH	12" [305 mm]	12" [305 mm]	23-3/8" [594 mm]	20-1/2" [521 mm]	1/4" [6 mm]	1/8" [3 mm]	
SCB15-1-20PT	15" [381 mm]	15" [381 mm]	17-13/16" [452 mm]	20-1/2" [521 mm]	1/4" [6 mm]	1/8" [3 mm]	
SCB15-1-20WH	15" [381 mm]	15" [381 mm]	17-13/16" [452 mm]	20-1/2" [521 mm]	1/4" [6 mm]	1/8" [3 mm]	
SBM9-1-20WH	9" [229 mm]	9" [229 mm]	17-13/16" [452 mm]	20-1/2" [521 mm]	1/4" [6 mm]	1/8" [3 mm]	
SBM10-1-35WH	10" [254 mm]	10" [254 mm]	19-5/16" [491 mm]	20-1/2" [521 mm]	1/4" [6 mm]	1/8" [3 mm]	
SBM12-1-50WH	12" [305 mm]	12" [305 mm]	23-3/8" [594 mm]	20-1/2" [521 mm]	1/4" [6 mm]	1/8" [3 mm]	
SBM15-1-20WH	15" [381 mm]	15" [381 mm]	17-13/16" [452 mm]	16-3/8" [416 mm]	1/4" [6 mm]	1/8" [3 mm]	
SBM15-1-35WH	15" [381 mm]	15" [381 mm]	19-5/16" [491 mm]	16-3/8" [416 mm]	1/4" [6 mm]	1/8" [3 mm]	
<b>Door-Mount (Bottom-mount)</b>							
DWB975-W	12" [305 mm]	12" [305 mm]	12-1/8" [308 mm]	7-1/2" [191 mm]	-	1/8" [3 mm]	
WUSC12-1-35PT	11-3/4" [298 mm]	11-3/4" [298 mm]	19-1/2" [241 mm]	23-1/2" [597 mm]	-	1/8" [3 mm]	
WUSC12-1-35WH	11-3/4" [298 mm]	11-3/4" [298 mm]	19-1/2" [241 mm]	23-1/2" [597 mm]	-	1/8" [3 mm]	
WUSC12-1-50PT	11-3/4" [298 mm]	11-3/4" [298 mm]	23-1/2" [597 mm]	23-1/2" [597 mm]	-	1/8" [3 mm]	
WUSC12-1-50WH	11-3/4" [298 mm]	11-3/4" [298 mm]	23-1/2" [597 mm]	23-1/2" [597 mm]	-	1/8" [3 mm]	
USC12-1-35WH	12" [305 mm]	12" [305 mm]	19-3/16" [487 mm]	22-5/8" [575 mm]	-	1/8" [3 mm]	
USC12-1-35PT	12" [305 mm]	12" [305 mm]	19-3/16" [487 mm]	22-5/8" [575 mm]	-	1/8" [3 mm]	
USC12-1-50WH	12" [305 mm]	12" [305 mm]	23-5/16" [592 mm]	22-5/8" [575 mm]	-	1/8" [3 mm]	
USC12-1-50PT	12" [305 mm]	12" [305 mm]	23-5/16" [592 mm]	22-5/8" [575 mm]	-	1/8" [3 mm]	
<b>Door-Mount (Top-mount)</b>							
PDMTM115-1-35WH	11-1/2" [292 mm]	11-1/2" [292 mm]	18" [457 mm]	22-1/2" [572 mm]	-	1/8" [3 mm]	
PDMTM12-1-35WH	12" [305 mm]	12" [305 mm]	18" [457 mm]	22-1/2" [572 mm]	-	1/8" [3 mm]	
PDMTM145-1-50WH	14-1/2" [368 mm]	14-1/2" [368 mm]	22-1/8" [562 mm]	22-1/2" [572 mm]	-	1/8" [3 mm]	
TSC12-1-35WH	11-1/2" [292 mm]	11-1/2" [292 mm]	18" [457 mm]	23-3/8" [594 mm]	-	1/8" [3 mm]	
TSC12-1-35PT	11-1/2" [292 mm]	11-1/2" [292 mm]	18" [457 mm]	23-3/8" [594 mm]	-	1/8" [3 mm]	
TSC15-1-35WH	14-1/2" [368 mm]	14-1/2" [368 mm]	18" [457 mm]	23-3/8" [594 mm]	-	1/8" [3 mm]	
TSC15-1-35PT	14-1/2" [368 mm]	14-1/2" [368 mm]	18" [457 mm]	23-3/8" [594 mm]	-	1/8" [3 mm]	
TSC15-1-50WH	14-1/2" [368 mm]	14-1/2" [368 mm]	22-1/8" [562 mm]	23-3/8" [594 mm]	-	1/8" [3 mm]	
TSC15-1-50PT	14-1/2" [368 mm]	14-1/2" [368 mm]	22-1/8" [562 mm]	23-3/8" [594 mm]	-	1/8" [3 mm]	

## Example of Face-Frame Cabinet Application

\* If using lid, add 3/4" [19 mm].

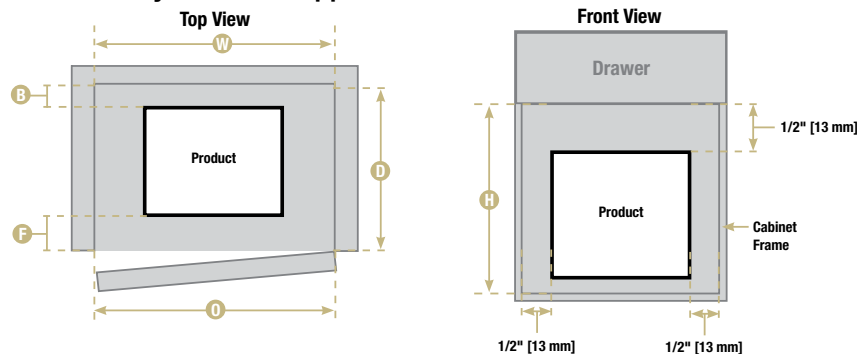


Dimensions shown are recommended minimum cabinet dimensions and clearances.

# Cabinet Dimensions

Stock #	Min. Cabinet Opening Width	Minimum Cabinet Dimensions			Minimum Cabinet Clearances	
		W Width	H Height*	D Depth	F Front	B Back
<b>DOUBLE BIN UNITS Non-Door-Mount</b>						
SCB12-2-27PT	12" [305 mm]	12" [305 mm]	19" [482 mm]	22-9/16" [573 mm]	-	1/8" [3 mm]
SCB12-2-27WH	12" [305 mm]	12" [305 mm]	19" [482 mm]	22-9/16" [573 mm]	1/4" [6 mm]	1/8" [3 mm]
SCB15-2-20PT	15" [381 mm]	15" [381 mm]	17-13/16" [452 mm]	20-3/8" [518 mm]	1/4" [6 mm]	1/8" [3 mm]
SCB15-2-20WH	15" [381 mm]	15" [381 mm]	17-13/16" [452 mm]	20-3/8" [518 mm]	1/4" [6 mm]	1/8" [3 mm]
SCB15-2-35PT	15" [381 mm]	15" [381 mm]	19-5/16" [491 mm]	23-3/8" [594 mm]	1/4" [6 mm]	1/8" [3 mm]
SCB15-2-35WH	15" [381 mm]	15" [381 mm]	19-5/16" [491 mm]	23-3/8" [594 mm]	1/4" [6 mm]	1/8" [3 mm]
SBM12-2-27WH	12" [305 mm]	12" [305 mm]	19" [482 mm]	22-9/16" [573 mm]	1/4" [6 mm]	1/8" [3 mm]
SBM15-2-20WH	15" [381 mm]	15" [381 mm]	17-13/16" [452 mm]	20-3/8" [518 mm]	1/4" [6 mm]	1/8" [3 mm]
SBM15-2-35WH	15" [381 mm]	15" [381 mm]	19-5/16" [491 mm]	22-3/8" [568 mm]	1/4" [6 mm]	1/8" [3 mm]
<b>Door-Mount (Bottom-mount)</b>						
WUSC12-2-27PT	11-1/2" [292 mm]	11-3/4" [298 mm]	19-3/4" [502 mm]	23-1/2" [597 mm]	-	1/8" [3 mm]
WUSC12-2-27WH	11-1/2" [292 mm]	11-3/4" [298 mm]	19-3/4" [502 mm]	23-1/2" [597 mm]	-	1/8" [3 mm]
WUSC15-2-35PT	14-1/2" [368 mm]	14-3/4" [375mm]	19-1/2" [502 mm]	23-1/2" [597 mm]	-	1/8" [3 mm]
WUSC15-2-35WH	14-1/2" [368 mm]	14-3/4" [375mm]	19-1/2" [502 mm]	23-1/2" [597 mm]	-	1/8" [3 mm]
WUSC18-2-50PT	17" [432 mm]	17" [432 mm]	23-1/4" [591 mm]	22-9/16" [573 mm]	-	1/8" [3 mm]
WUSC18-2-50WH	17" [432 mm]	17" [432 mm]	23-1/4" [591 mm]	22-9/16" [573 mm]	-	1/8" [3 mm]
USC12-2-27PT	12" [305 mm]	12" [305 mm]	19-1/4" [489 mm]	22-9/16" [573 mm]	-	1/8" [3 mm]
USC12-2-27WH	12" [305 mm]	12" [305 mm]	19-1/4" [489 mm]	22-9/16" [573 mm]	-	1/8" [3 mm]
USC15-2-35WH	15" [381 mm]	15" [381 mm]	19-3/16" [487 mm]	22-5/8" [575 mm]	-	1/8" [3 mm]
USC15-2-35PT	15" [381 mm]	15" [381 mm]	19-3/16" [487 mm]	22-5/8" [575 mm]	-	1/8" [3 mm]
USC18-2-50WH	16" [406 mm]	15-5/8" [397 mm]	23-5/16" [592 mm]	22-5/8" [575 mm]	-	1/8" [3 mm]
USC18-2-50PT	16" [406 mm]	15-5/8" [397 mm]	23-5/16" [592 mm]	22-5/8" [575 mm]	-	1/8" [3 mm]
<b>Door-Mount (Top-mount)</b>						
PDMTM15-2-35WH	15" [381 mm]	15" [381 mm]	18" [457 mm]	22-1/2" [572 mm]	-	1/8" [3 mm]
PDMTM175-2-35WH	17-1/2" [445 mm]	17-1/2" [445 mm]	18" [457 mm]	22-1/2" [572 mm]	-	1/8" [3 mm]
PDMTM18-2-35WH	18" [457 mm]	18" [457 mm]	18" [457 mm]	22-1/2" [572 mm]	-	1/8" [3 mm]
PDMTM21-2-35WH	21" [533 mm]	21" [533 mm]	18" [457 mm]	22-1/2" [572 mm]	-	1/8" [3 mm]
TSC15-2-35WH	15" [381 mm]	15" [381 mm]	18" [457 mm]	23-3/8" [594 mm]	-	1/8" [3 mm]
TSC15-2-35PT	15" [381 mm]	15" [381 mm]	18" [457 mm]	23-3/8" [594 mm]	-	1/8" [3 mm]
TSC18-2-35WH	17-1/2" [445 mm]	17-1/2" [445 mm]	18" [457 mm]	23-3/8" [594 mm]	-	1/8" [3 mm]
TSC18-2-35PT	17-1/2" [445 mm]	17-1/2" [445 mm]	18" [457 mm]	23-3/8" [594 mm]	-	1/8" [3 mm]
<b>TRIPLE BIN UNITS - Non-Door-Mount</b>						
SCB15-3-20PT	15" [381 mm]	15" [381 mm]	17-13/16" [452 mm]	23-3/8" [594 mm]	1/4" [6 mm]	1/8" [3 mm]
SCB15-3-20WH	15" [381 mm]	15" [381 mm]	17-13/16" [452 mm]	23-3/8" [594 mm]	1/4" [6 mm]	1/8" [3 mm]
SBM15-3-20WH	15" [381 mm]	15" [381 mm]	17-13/16" [452 mm]	23-3/8" [594 mm]	1/4" [6 mm]	1/8" [3 mm]
<b>FOUR BIN UNITS - Non-Door-Mount</b>						
SCB24-4-27-PT	24" [610 mm]	24" [610 mm]	19-1/2" [495 mm]	22-5/8" [575 mm]	-	1/8" [3 mm]
SCB24-4-27WH	24" [610 mm]	24" [610 mm]	19-1/2" [495 mm]	22-5/8" [594 mm]	1/4" [6 mm]	1/8" [3 mm]
SBM24-4-27WH	24" [610 mm]	24" [610 mm]	19-1/2" [495 mm]	23-3/8" [594 mm]	1/4" [6 mm]	1/2" [13 mm]

## Example of Frameless / Euro-Style Cabinet Application



\* If using lid, add 3/4" [19 mm].