

Scan to watch the installation video
<https://delivr.com/2pjxh>



IMPORTANT:

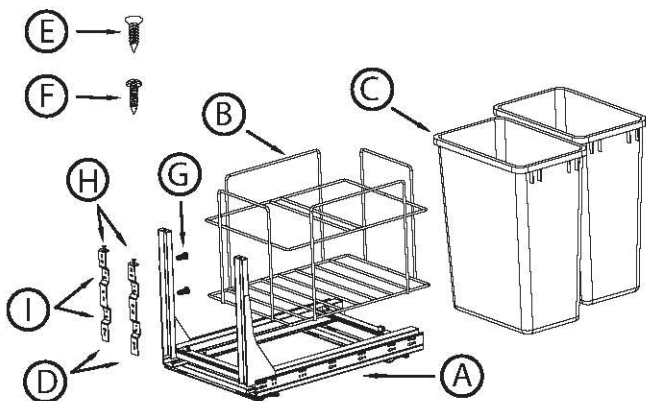
Before you begin, make sure you familiarize yourself with all of the parts and fully read the instructions.

TOOLS NECESSARY:

Screw gun or Phillips screwdriver and tape measure.

NOTE: If screw gun has a clutch, set to lowest setting so as not to over tighten and/or strip screws.

PARTS IDENTIFICATION:



A	Mounting Base	1 pc
B	Basket	1 pc
C	Trash Can(s)	1 or 2 pcs
D	Door Connection	2 pcs
E	#8x5/8 Pan Head Wood Screw	4 pcs
F	#8x5/8 Flat Head Wood Screw	6 pcs

ICS

ICS

ICS

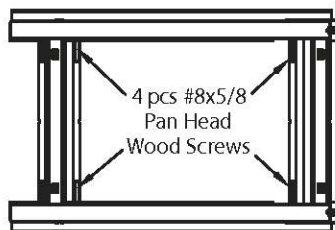
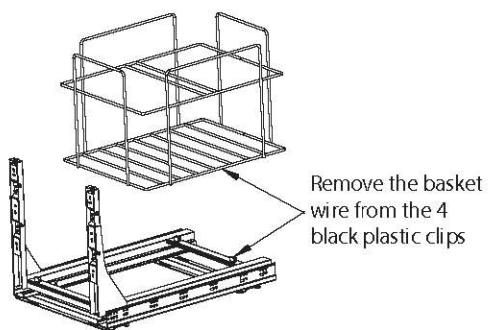
Installation Instructions for the WC-EMBM Series

STEP 1

Prepare Organizer for Install



- Remove wire basket from frame by pulling up. Place the slide base inside cabinet, pulling forward so slides are flush to interior face frame.
- Firmly secure using the four #8 x 5/8" pan head screws provided.

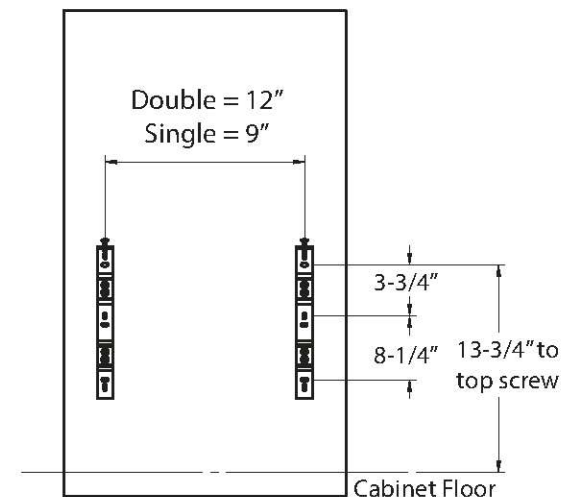


STEP 2

Install Door Mounting Brackets



- Install the door mounting brackets to the door with the 6 pieces of #8 x 5/8" flat head wood screws provided.
- Using a tape measure, determine the mounting location for the top of the bracket from the cabinet floor.



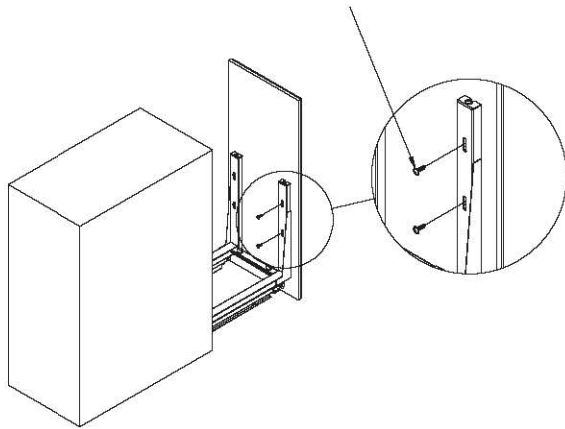
STEP 3

Attach Door Bracket to Pullout



- Use the provided M5x16 machine screws to attach the door bracket to the pullout.

M5x16 Machine Screw

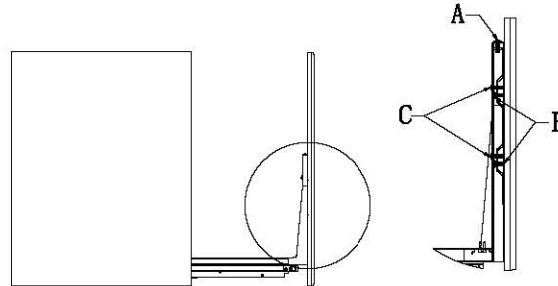


STEP 4

Adjust the Door



- Adjust the door:
"A" M5x20 Machine Screw adjusts the door height
"B" M5x14 Machine Screw keeps the door vertical
"C" M5x16 Machine Screw fastens the basket



STEP 5

Complete the Installation



- Reattach the wire basket to the slide frame by pushing it into the plastic clips until it snaps tight. Insert the trash cans into the wire basket.
- Cycle the organizer to ensure the soft-close slides are operating correctly.

