

Storage with Style Trash Can Systems

Scan to watch the installation video
<https://delivr.com/2cjqh>



IMPORTANT:

Before you begin, make sure you familiarize yourself with all the parts and fully read the instructions.

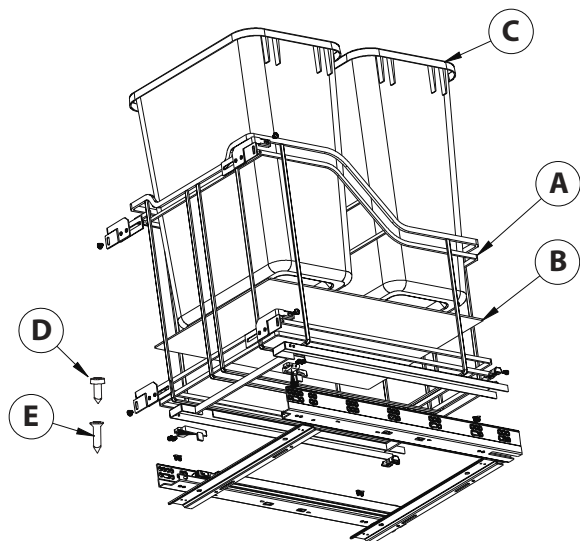
CUSTOMER SERVICE:

Toll free customer help line available weekdays between 7:00am and 6:00pm Central Time at 800-463-0660.

TOOLS NECESSARY:

Screw gun or Phillips screwdriver and tape measure. NOTE: If screw gun has a clutch, set to lowest setting so as not to over tighten and/or strip screws.

PARTS IDENTIFICATION:



A	Trash Can Organizer	1 pcs
B	Bottom Panel Liner	1 pcs
C	Grey 35 or 50 Quart Trash Can	1 Single/2 Double
D	#8 X 1/2" Pan Head Phillips Wood Screw	4 pcs
E	#8 X 5/8" Flat Head Phillips Wood Screw	4 pcs

Installation Instructions for the SWS-MBM Series

Double/Single Can 35 qt/50 qt
Trash Systems

STEP 1

Prepare Organizer for Install

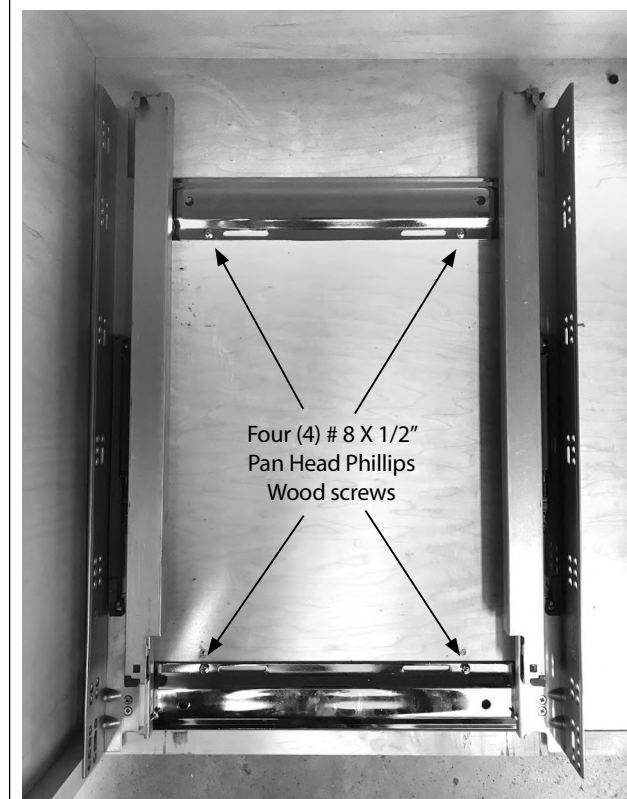
Bottom View



Remove trash cans and the bottom insert panel. Remove the organizer from the slides by pressing inward on the slide release clip.

STEP 2

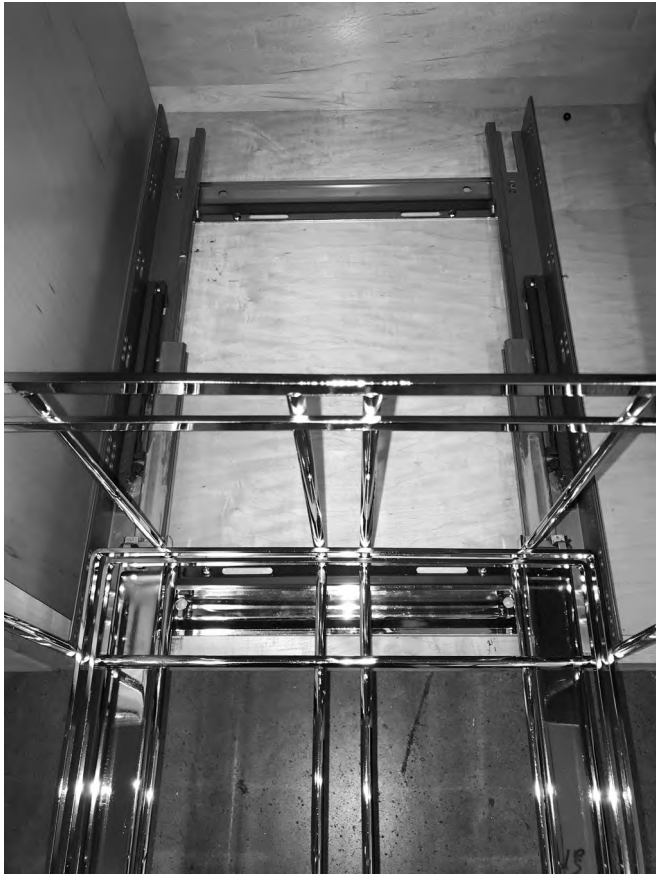
Slide Base Installation



Place the slide base inside the cabinet, pulling the front cross member tight against the rear of the face frame. For frameless cabinets, set the front cross member back 3/4". For inset door applications, slide the base back from the above measurements plus the thickness of the door. Firmly secure with four (4) # 8 X 1/2" Pan Head Phillips Wood screws provided in the locations shown above.

hardware
resources[®]

STEP 3 Organizer Installation



Slide the organizer back onto the slide base until the release clips are fully seated in the slide catch.

STEP 4 Door Installation



Using a tape measure, determine the mounting location of the top door mounting brackets. Install door with two (2) #8 X 5/8" Flat Head Phillips Wood Screws and make necessary adjustments following the diagram above. To adjust door up or down loosen door mounting screws (A). To adjust left or right, loosen both set screws (B) adjust and retighten. To adjust tilt, loosen tilt screw (C), adjust and retighten set screws. Once the door is in the desired position firmly secure the two bottom door mounting screws.

STEP 5 Finishing Touches

Remove the packaging material from around the bottom panel and place it in the bottom of the organizer unit. Install trash cans and cycle the organizer making sure the soft-close slides are operating.