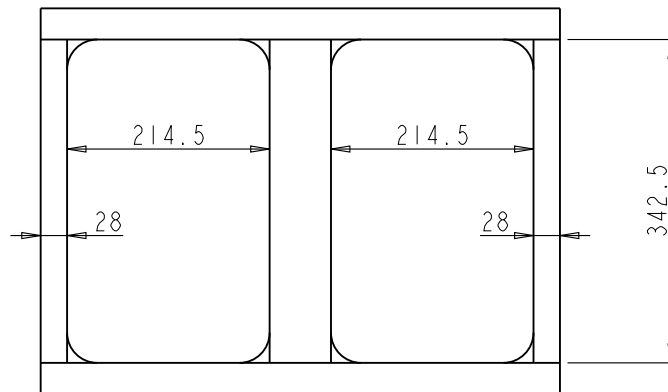
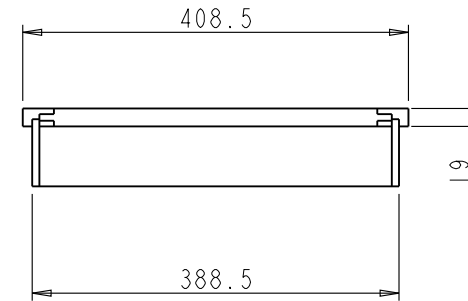
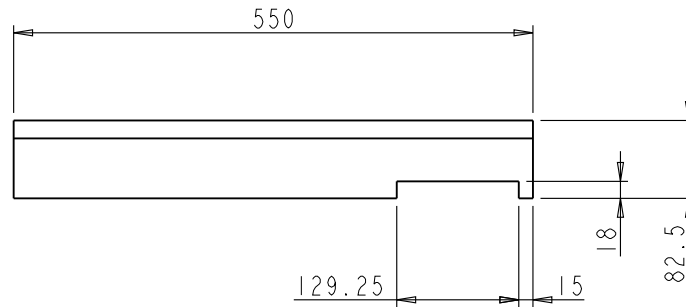
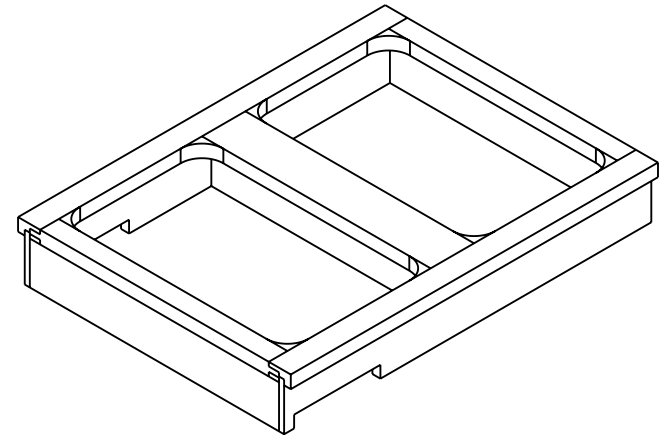
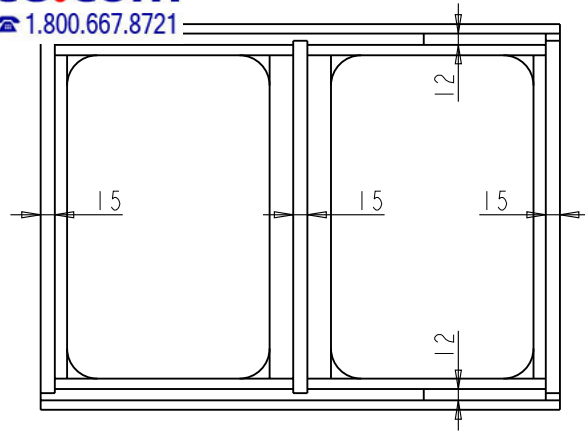


BILLS OF MATERIAL:

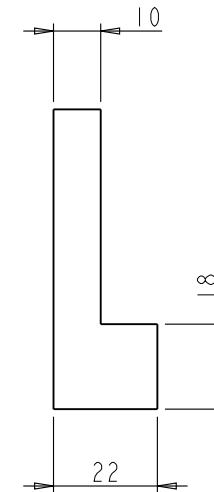
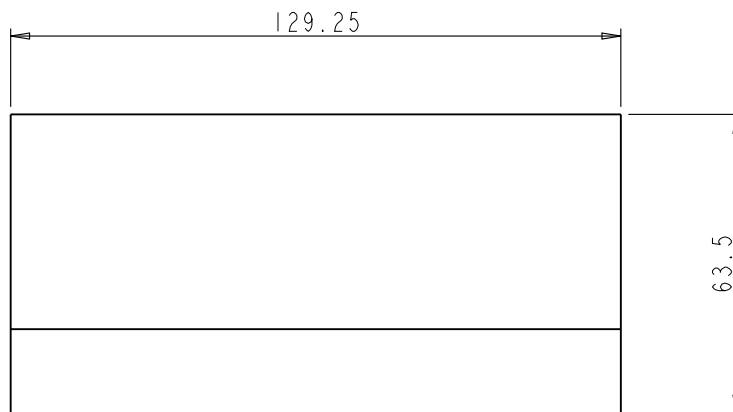
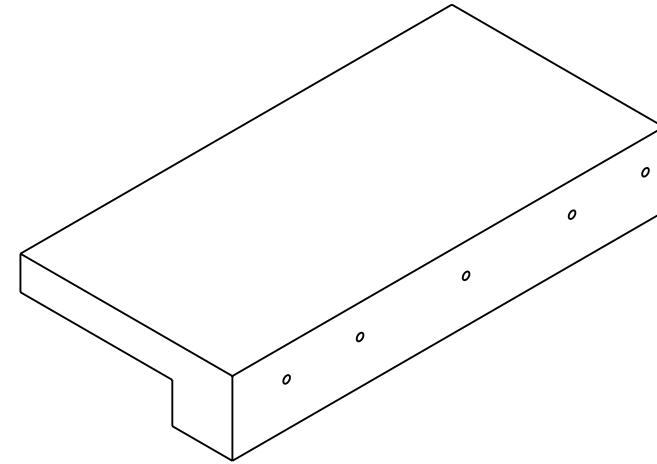
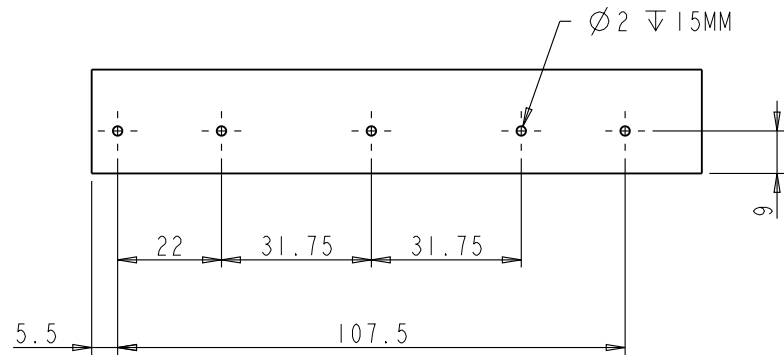
NO.	ITEM#	MATERIAL	QTY	UNIT	TOTLE WEIGHT	TYPE	ASSY LEVEL
8	CAN-35		2			PART	1
7	307FU-22		2			PART	1
6	TOP-MOUNT-R		1			ASSEMBLY	1
5	TOP-MOUNT-L		1			ASSEMBLY	1
4	MOUNT-BOARD-R		1			PART	1
3	MOUNT-BOARD-L		1			PART	1
2	FRAME-35D		1			ASSEMBLY	1
1	DOOR-35D		1			PART	1

	ITEM#	ASSY-35D		MATERIAL:
	FINISH:			WEIGHT:
PROPRIETARY AND CONFIDENTIAL THE INFORMATION CONTAINED IN THIS DRAWING IS THE SOLE PROPERTY OF HARDWARE RESOURCES INC. ANY REPRODUCTION IN PART OR AS A WHOLE WITHOUT THE WRITTEN PERMISSION OF HARDWARE RESOURCES INC. IS PROHIBITED.	TOLERANCE UNLESS OTHERWISE SPECIFIED: X: MM ±0.20 X.X: MM ±0.10 X.XX: MM ±0.05 ANGULAR: ±0.5° DO NOT SCALE DRAWING	UNIT: SIZE:	DRAWN BY: <i>alan.liu</i>	DATE:
			CHECKED BY:	DATE:
			APPROVED BY:	DATE:



	ITEM#: FRAME - 35D		MATERIAL:			
	FINISH:		WEIGHT: 9			
<b>PROPRIETARY AND CONFIDENTIAL</b> THE INFORMATION CONTAINED IN THIS DRAWING IS THE SOLE PROPERTY OF HARDWARE RESOURCES INC. ANY REPRODUCTION IN PART OR AS A WHOLE WITHOUT THE WRITTEN PERMISSION OF HARDWARE RESOURCES INC. IS PROHIBITED.	TOLERANCE UNLESS OTHERWISE SPECIFIED: X : MM ±0.20 X.X : MM ±0.10 X.XX : MM ±0.05 ANGULAR: ±0.5° DO NOT SCALE DRAWING		UNIT: MM SIZE:	DRAWN BY: <i>alan.liu</i> CHECKED BY: APPROVED BY:	DATE: DATE: DATE:	





Note:

- "Mount-Board-R" is a mirrored part of "Mount-Board-L"
- Holes need to be pre-drilled onto the parts before mounting

<b>hardware resources</b>	ITEM: MOUNT-BOARD-L		MATERIAL:			
	FINISH:		WEIGHT: g			
<b>PROPRIETARY AND CONFIDENTIAL</b> THE INFORMATION CONTAINED IN THIS DRAWING IS THE SOLE PROPERTY OF HARDWARE RESOURCES INC. ANY REPRODUCTION IN PART OR AS A WHOLE WITHOUT THE WRITTEN PERMISSION OF HARDWARE RESOURCES INC. IS PROHIBITED.	TOLERANCE UNLESS OTHERWISE SPECIFIED: X : MM ±0.20 X.X : MM ±0.10 X.XX : MM ±0.05 ANGULAR: ±0.5° DO NOT SCALE DRAWING		UNIT: MM	DRAWN BY: <i>alan.liu</i>	DATE:	
	SIZE:		CHECKED BY:	DATE:		
	APPROVED BY:		DATE:		PROJECTION:	
	RESOURCES INC. IS PROHIBITED		DATE:		DATE:	