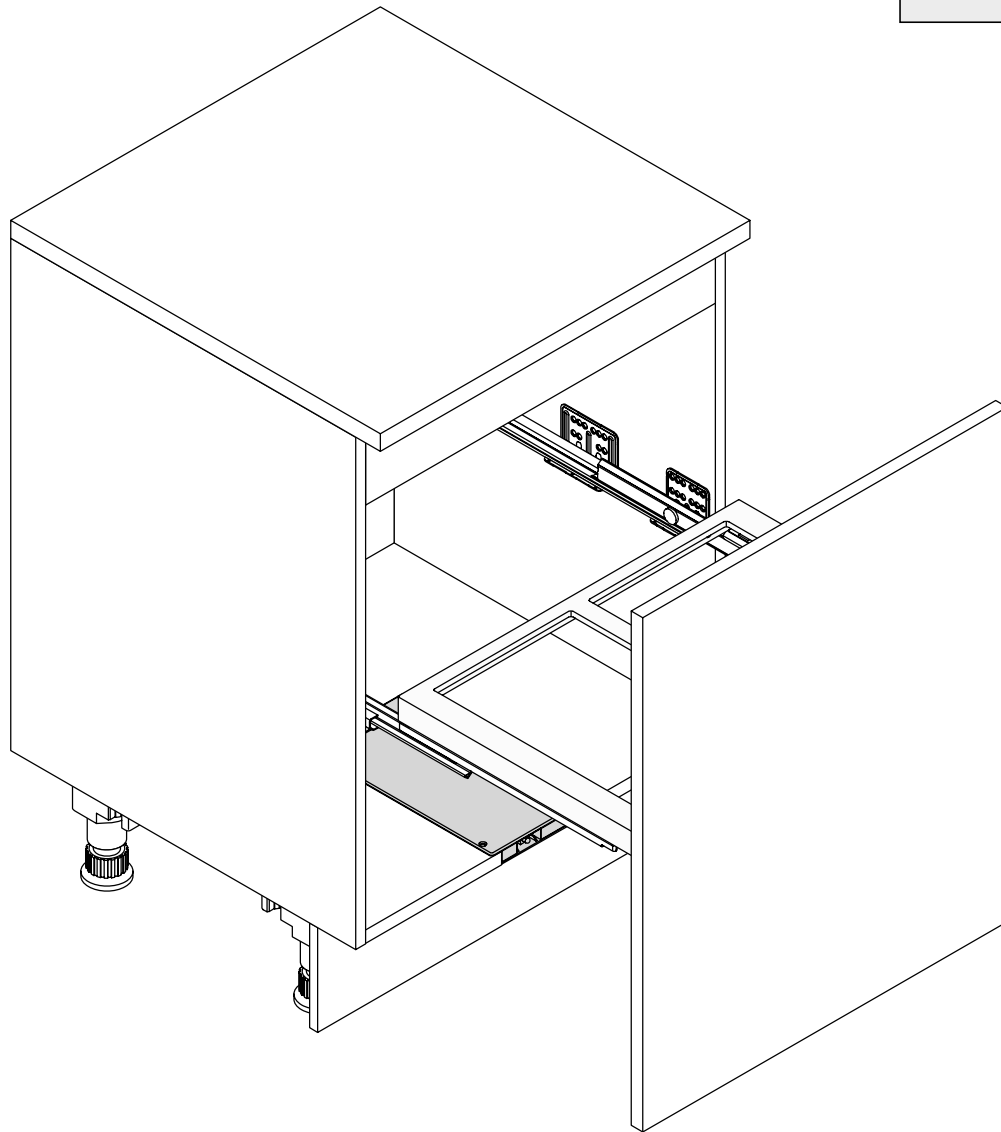
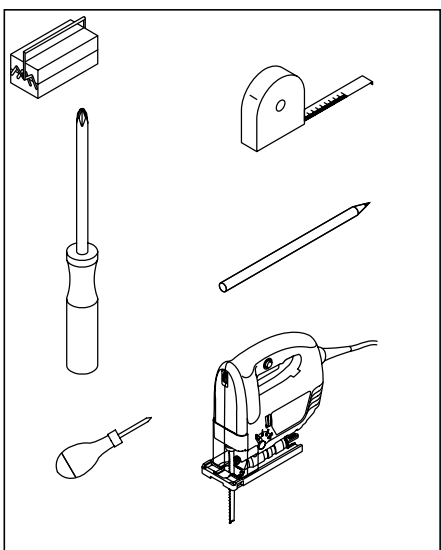
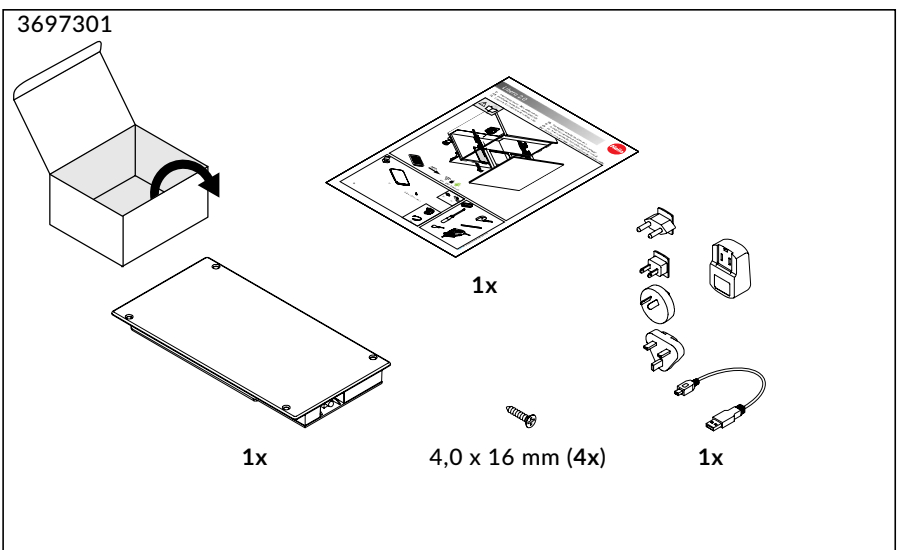
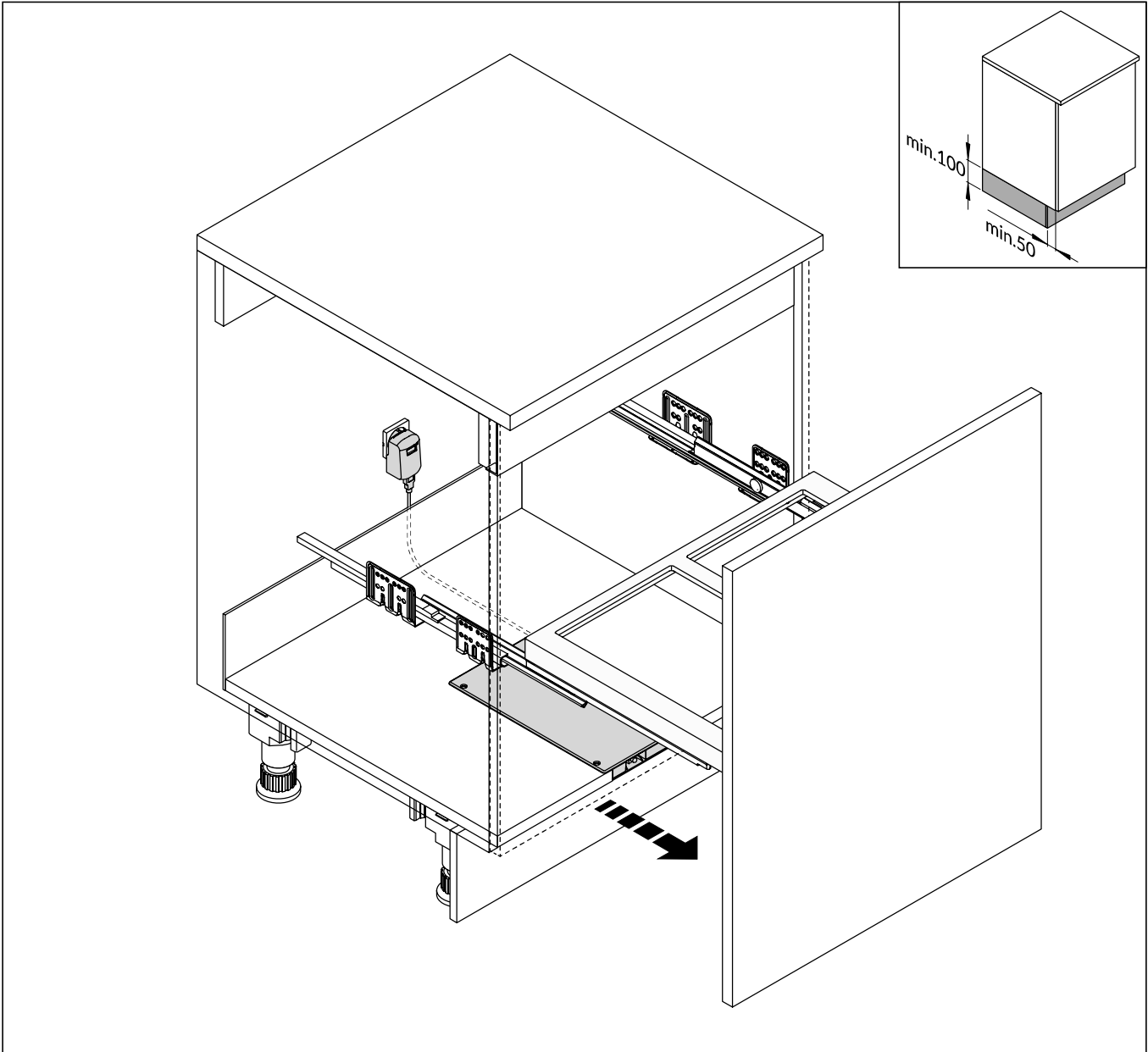



Libero 3.0




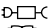



GB

 **Important safety instructions: please comply with all regulations. Improper installation or use may lead to serious injury.**

General

 **Moving parts**

- The equipment is only suitable for mounting at heights ≤ 2 m.
 - Failure to comply with the installation instructions will invalidate the manufacturer's warranty.
 - This product is not suitable for use by persons (including children) with physical, sensory or intellectual impairment, a lack of experience and/or a lack of knowledge unless they are supervised by a person responsible for their safety and have been duly instructed by the latter in how the product is to be used.
 - Children must be supervised in order to ensure that they do not play with the product or remote control.
 - Beware of sharp edges: risk of injury.
 - Subject to technical modifications.
-  - Detachable power supply part
-  - Read operators manuals

Surroundings and assembly location

- Use solely in accordance with the regulations. (Indoors, kitchen etc.)
- Operating temperature $+ 5^{\circ}\text{C} - +40^{\circ}\text{C}$.
- The product must only be operated with the power supply unit provided.
- Make sure that there is always unobstructed access to the power socket in use, so that the mains plug can be pulled out immediately in an emergency.

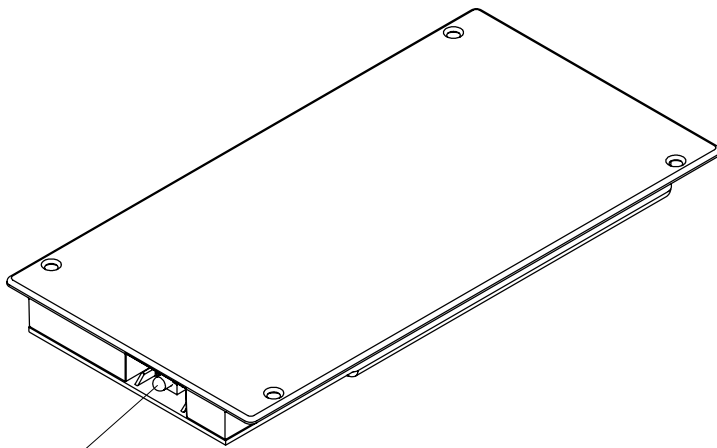
Functions

- Permanent brief flashing: Product not yet ready for use
- Permanently lit up: Product is ready for use
- System settings such as Illumination On/Off, Brightness, Ejection Force, Detection Range and Network Configuration can be changed via the web browser

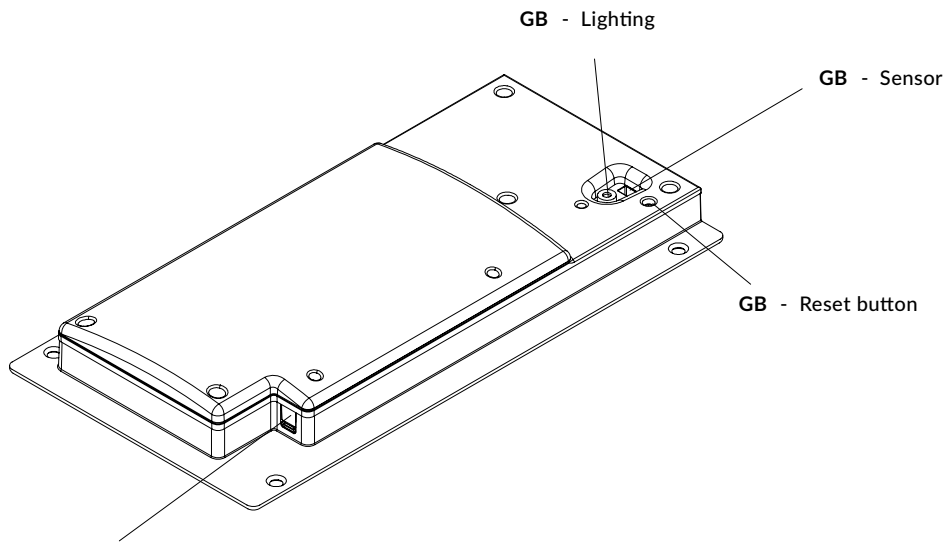
Care and maintenance

- Arrange for maintenance tasks to be carried out by authorised personnel only.
- Make sure that the product is disconnected from the power supply during cleaning and maintenance work.
- Use a soft, dry cloth to clean the product.

Libero 3.0



GB - Ejector

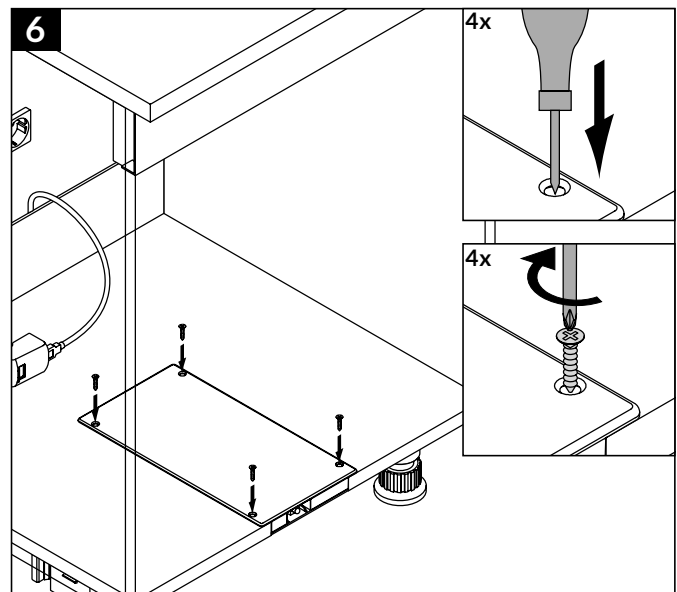
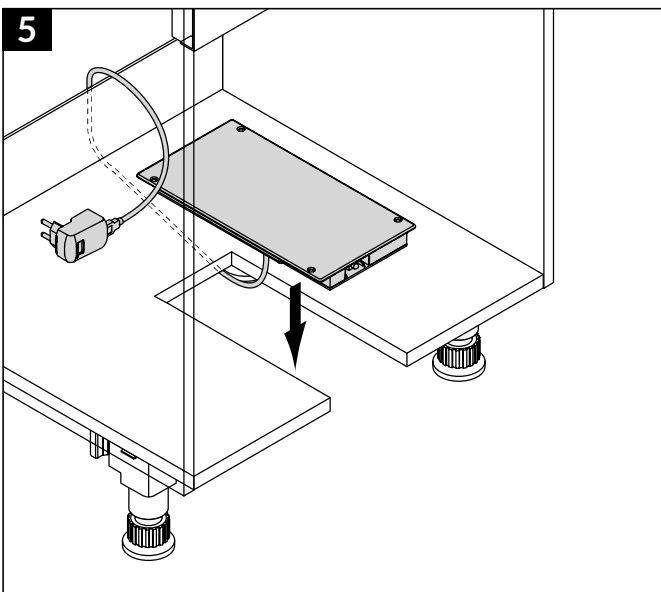
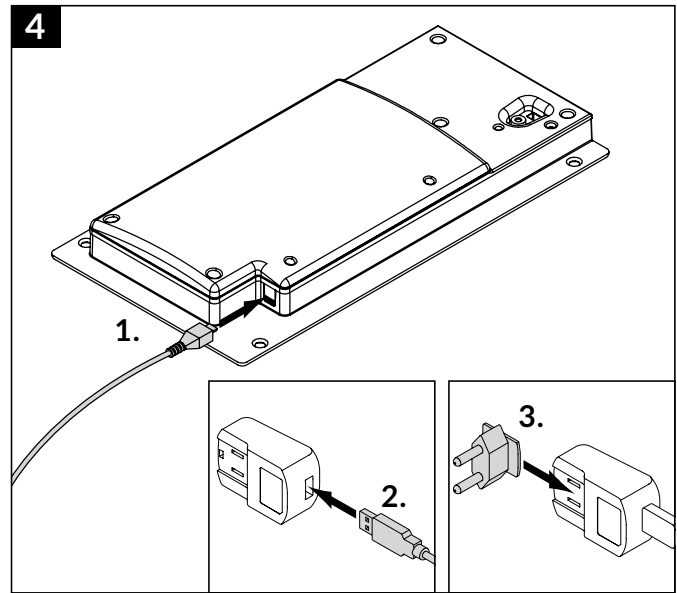
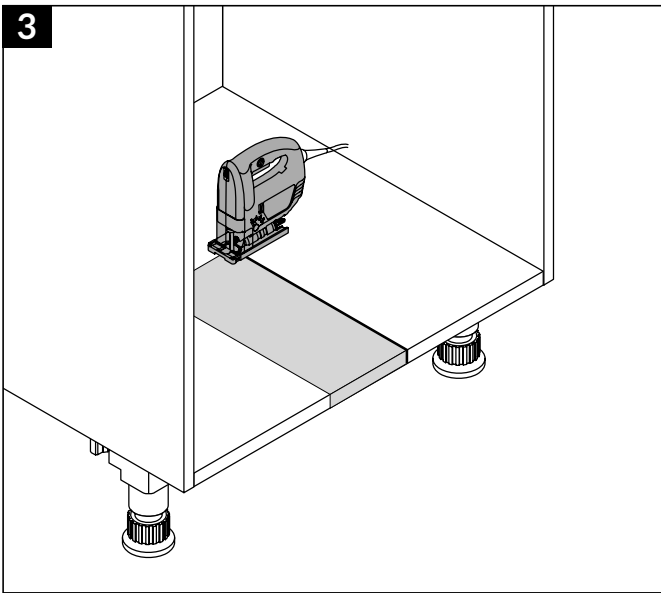
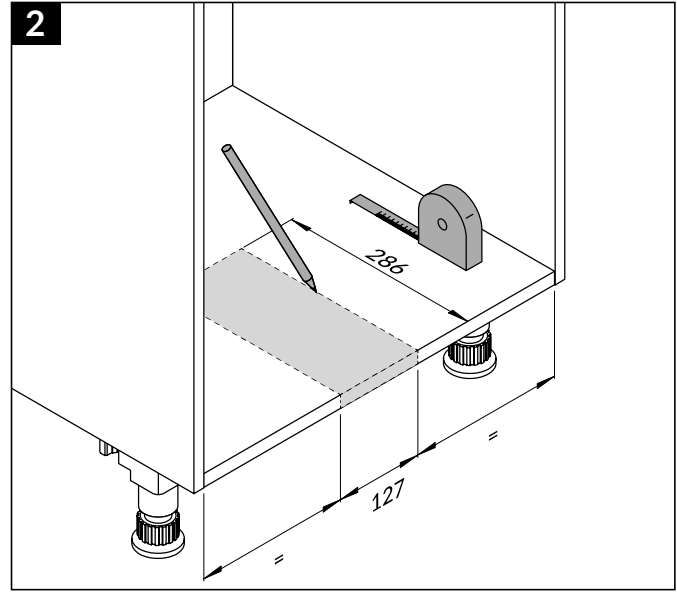
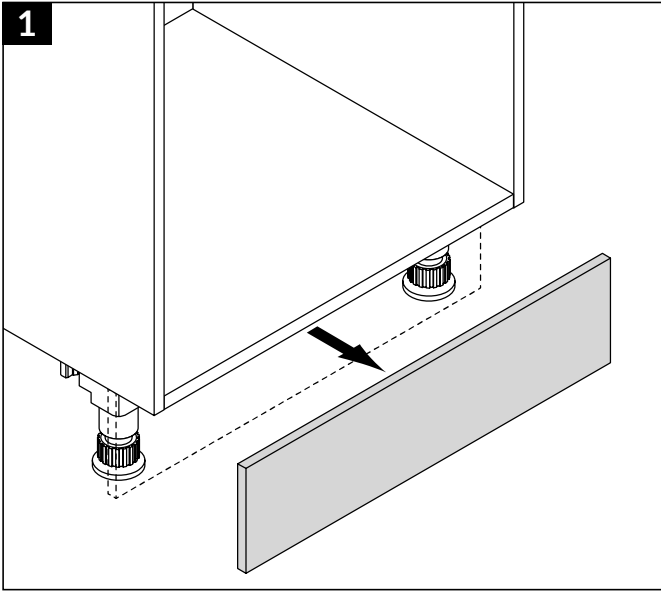


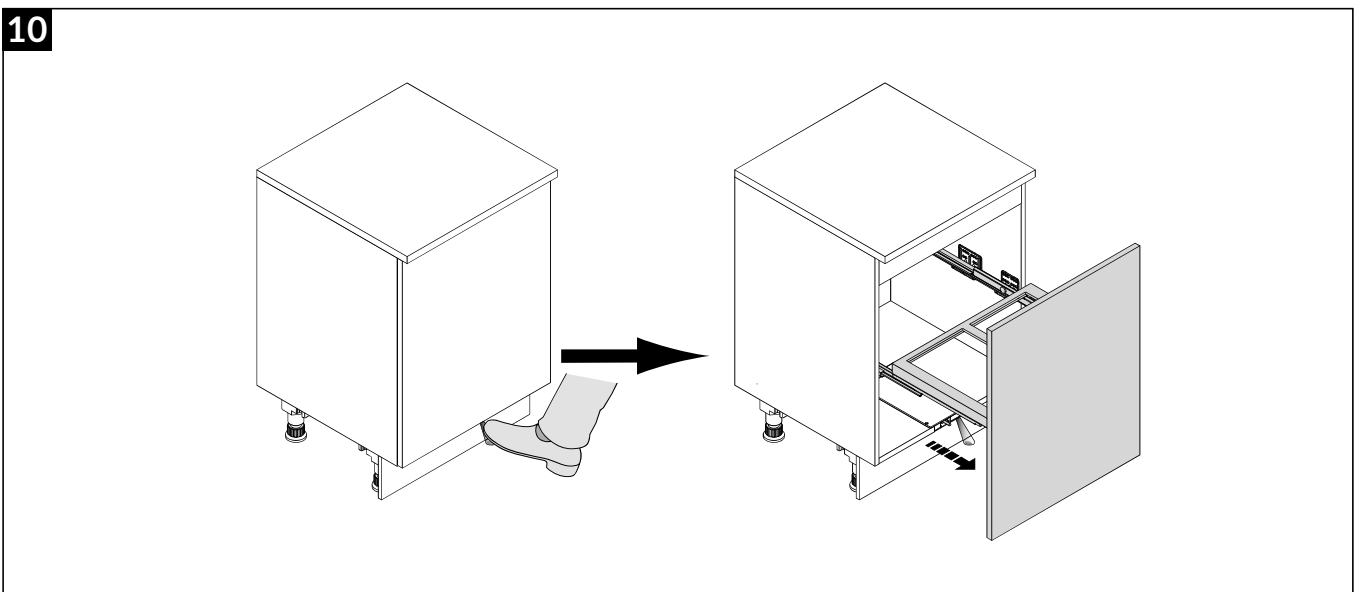
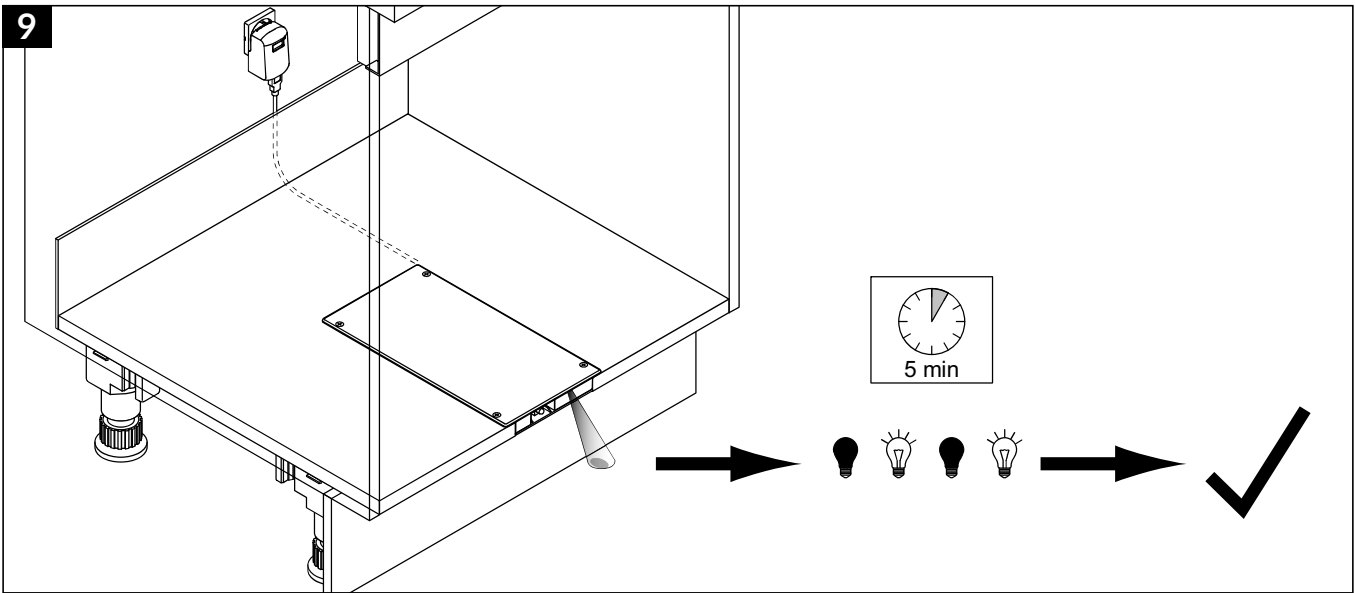
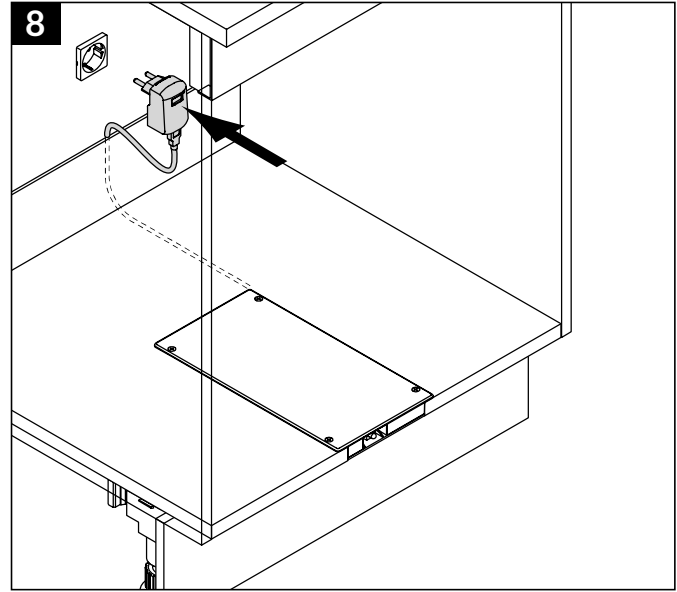
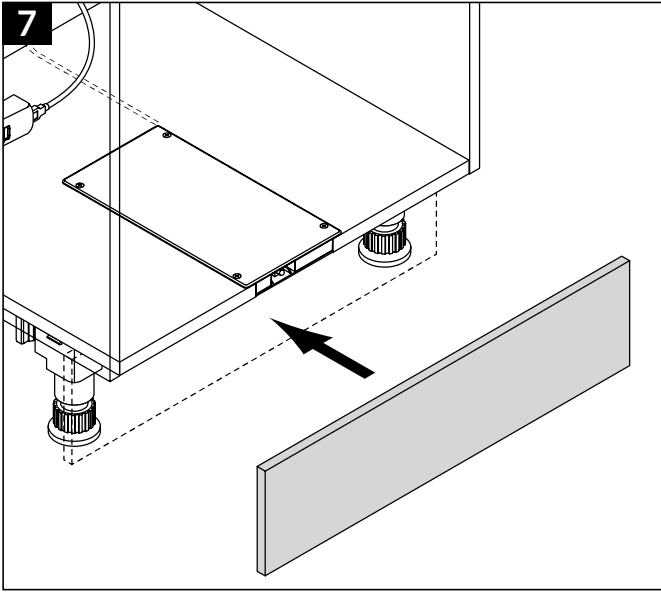
GB - Lighting

GB - Sensor

GB - Reset button

GB - Power supply socket





Libero 3.0



Technical data

GB

Article no. of main unit: 3697301

Main unit EAN code: 4007126301000

Voltage input	100 - 240 V 50/60HZ - 0.6A
Voltage output	5 V - 2.0A
AC plug	EU / UK / AU / US
Protection class	IP21
Consumption	< 10W
Standby consumption	< 1W
Dimensions	300mm x 160 mm x 35mm
Weight	600g
Operating frequency bands	2400-2483.5 GHz
Maximum output power (EIRP)	below 20dBm

Regulatory Information USA

Changes or modifications not expressly approved by the party responsible for compliance could void the user's authority to operate the equipment.

This device complies with part 15 of the FCC Rules. Operation is subject to the following two conditions: (1) This device may not cause harmful interference, and (2) this device must accept any interference received, including interference that may cause undesired operation.

Class B device notice

NOTE: This equipment has been tested and found to comply with the limits for a Class B digital device, pursuant to part 15 of the FCC Rules. These limits are designed to provide reasonable protection against harmful interference in a residential installation. This equipment generates, uses and can radiate radio frequency energy and, if not installed and used in accordance with the instructions, may cause harmful interference to radio communications. However, there is no guarantee that interference will not occur in a particular installation. If this equipment does cause harmful interference to radio or television reception, which can be determined by turning the equipment off and on, the user is encouraged to try to correct the interference by one or more of the following measures:

- Reorient or relocate the receiving antenna.
- Increase the separation between the equipment and receiver.
- Connect the equipment into an outlet on a circuit different from that to which the receiver is connected.
- Consult the dealer or an experienced radio/TV technician for help.

RF exposure safety

This device is a radio transmitter and receiver.

It is designed not to exceed the emission limits for exposure to radio frequency (RF) energy set by the Federal Communications Commission.

The antenna must be installed and operated with minimum distance of 20 cm between the radiator and your body.

This transmitter must not be co-located or operating in conjunction with any other antenna or transmitter.

Regulatory Information Canada

Changes or modifications not expressly approved by the party responsible for compliance could void the user's authority to operate the equipment.

Les changements ou modifications non expressément approuvés par la partie responsable de la conformité pourraient annuler l'autorisation de l'utilisateur d'utiliser l'équipement.

This device complies with Innovation, Science and Economic Development Canada's licence-exempt RSS(s). Operation is subject to the following two conditions: (1) This device may not cause interference; and (2) This device must accept any interference, including interference that may cause undesired operation of the device.

Le présent appareil est conforme aux CNR de l'ISDE applicables aux appareils radio exempts de licence. L'exploitation est autorisée aux deux conditions suivantes : (1) l'appareil ne doit pas produire de brouillage, et (2) l'utilisateur de l'appareil doit accepter tout brouillage radioélectrique subi, même si le brouillage est susceptible d'en compromettre le fonctionnement.

RF exposure safety

This device is a radio transmitter and receiver.

It is designed not to exceed the emission limits for exposure to radio frequency (RF) energy set by the ISED.

The antenna must be installed and operated with minimum distance of 20 cm between the radiator and your body.

This transmitter must not be co-located or operating in conjunction with any other antenna or transmitter.

Le modèle est un émetteur et un récepteur radio.

Il est conçu pour ne pas dépasser les limites d'émission pour l'exposition à l'énergie radiofréquence (RF) établie par l'ISDE.

L'antenne doit être installée de façon à garder une distance minimale de 20 cm entre la source de rayonnements et votre corps.

L'émetteur ne doit pas être colocalisé ni fonctionner conjointement avec à autre antenne ou autre émetteur.

CAN ICES-3 (B)/NMB-3(B)

This Class B digital apparatus complies with Canadian ICES-003

Cet appareil numérique de classe B est conforme à la norme Canadienne ICES-003

EU DECLARATION OF CONFORMITY

Hereby, HAILO-WERK RUDOLF LOH GMBH & CO. KG. declares that the equipment described above is in conformity with the following directives:

- Directive 2006/42/EG Machinery Directive (Edition 2.2 of October 2019)
- Directive 2014/53/EU Radio Equipment Directive (RED)
- Directive 2011/65/EU and 2015/863/EU Restriction of Hazardous Substances (RoHS)
- Directive 2012/19/EU Waste Electrical and Electronic Equipment (WEEE)

Product: Electronic opener

Libero 3.0

The conformity with the essential requirements of the 2014/53/EU has been demonstrated against the following standards:

Standard reference	Article of Directive 2014/53/EU
EN 62368-1:2014 + AC:2015 + A11:2017 EN 62311:2008	3.1 (a): Health and Safety of the User
EN 301 489-1 V2.2.3 EN 301 489-17 V3.2.2 EN 60730-1:2013 EN 60730-1:2016	3.1 (b): Electromagnetic Compatibility
EN 300 328 v 2.1.1	3.2 : Effective use of spectrum allocated
EN 50581:2012.	Directive 2011/65/EU and 2015/863/EU Restriction of Hazardous Substances (RoHS)
EN ISO 12100:2010	Risk assessment and risk reduction

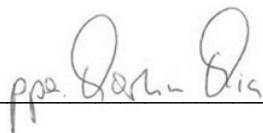
The Technical Construction File (TCF) relevant to the product described above and which supports this Declaration of Conformity, is held at: HAILO-WERK RUDOLF LOH GMBH & CO. KG, Daimlerstr. 8, D-35708 Haiger, Germany

CE mark first affix: 2021



Signed for and on behalf of HAILO-WERK RUDOLF LOH GMBH & CO. KG

Place, **date** Haiger, April 07th



Technical Construction File: 63928B_Hailo_Libero3.0_v01