

Mounting Instructions



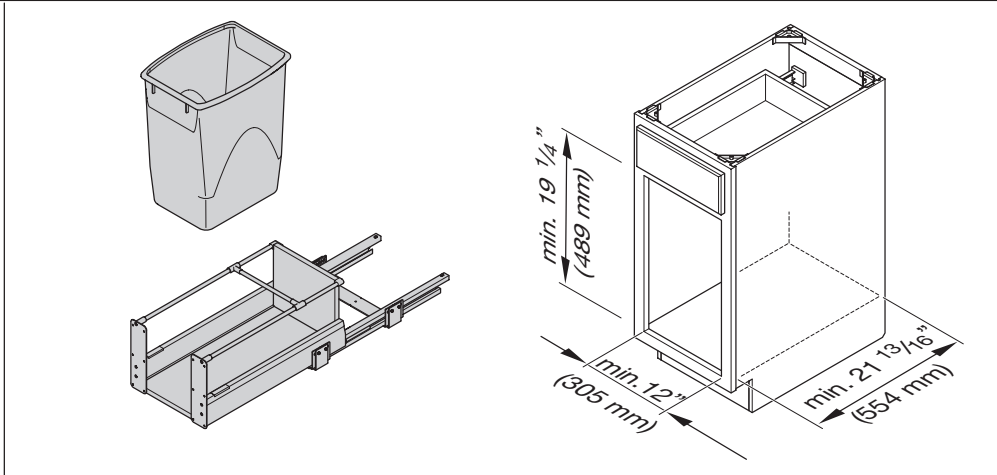
Item No.: 503.15.201, 202, 701, 702, 801, 802

MOOVIT WASTE BIN

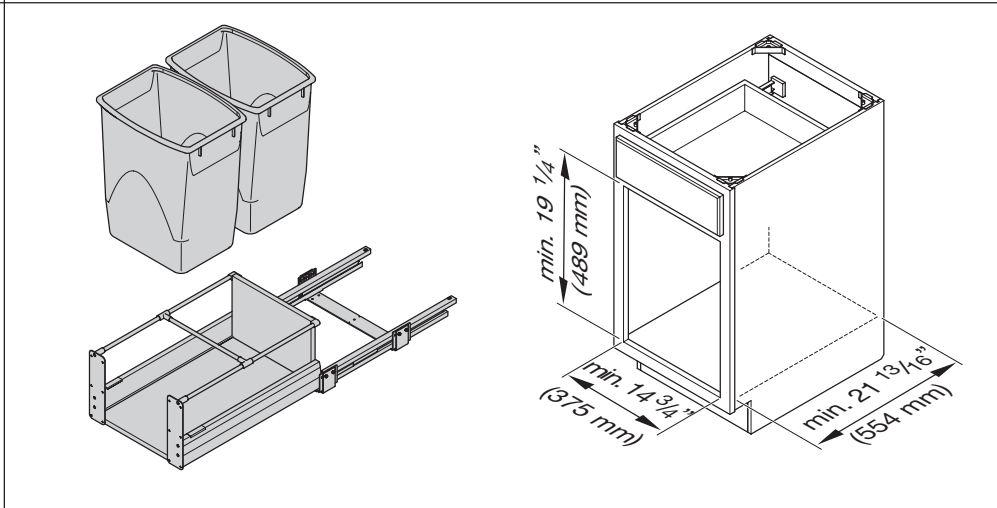


Single Kit
(36 qt.)

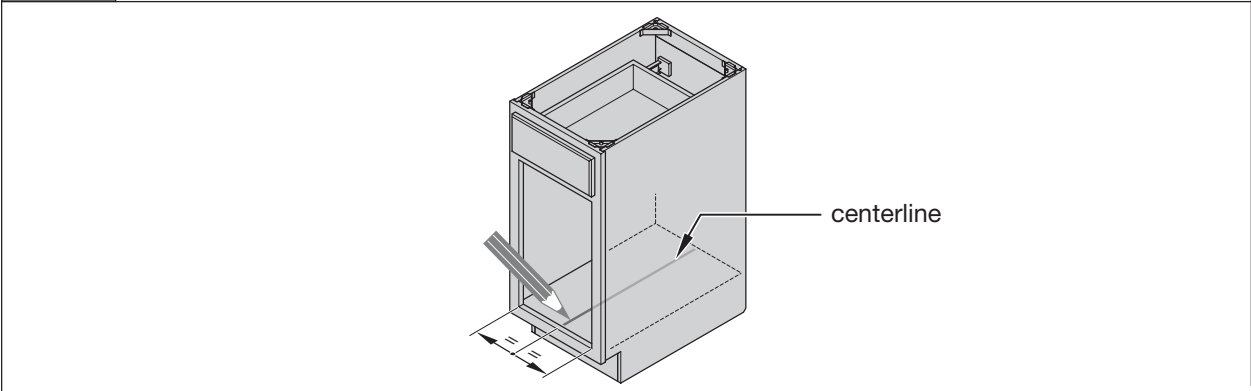
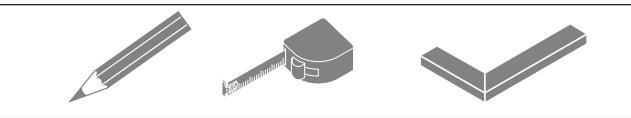
Double Kit
(2 x 27 qt.)



Double Kit
(2 x 36 qt.)

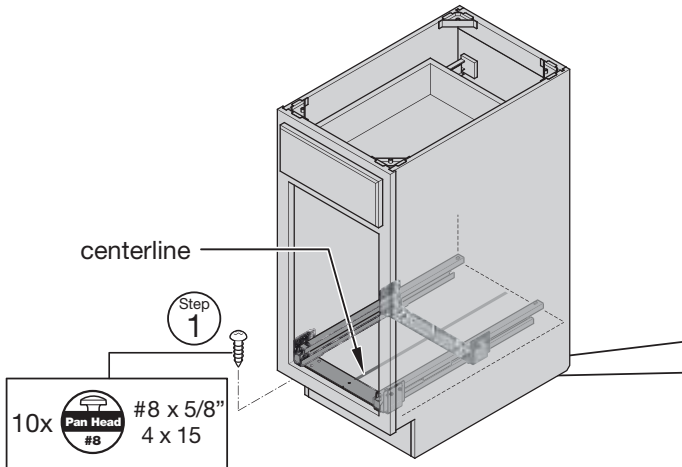


A

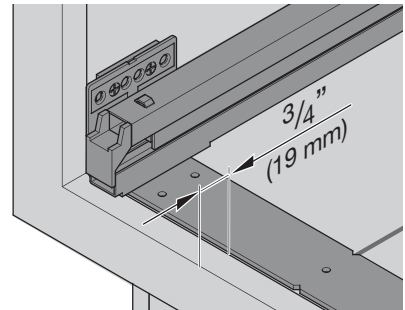
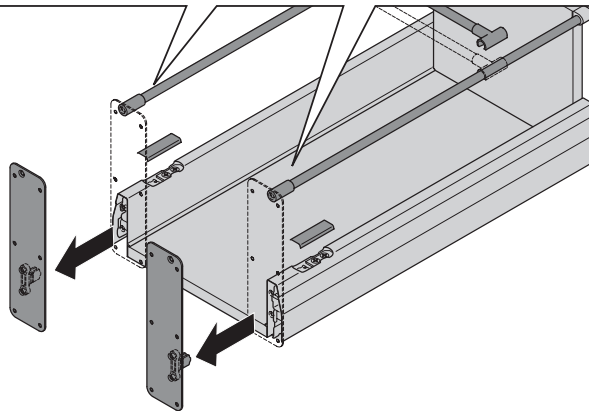
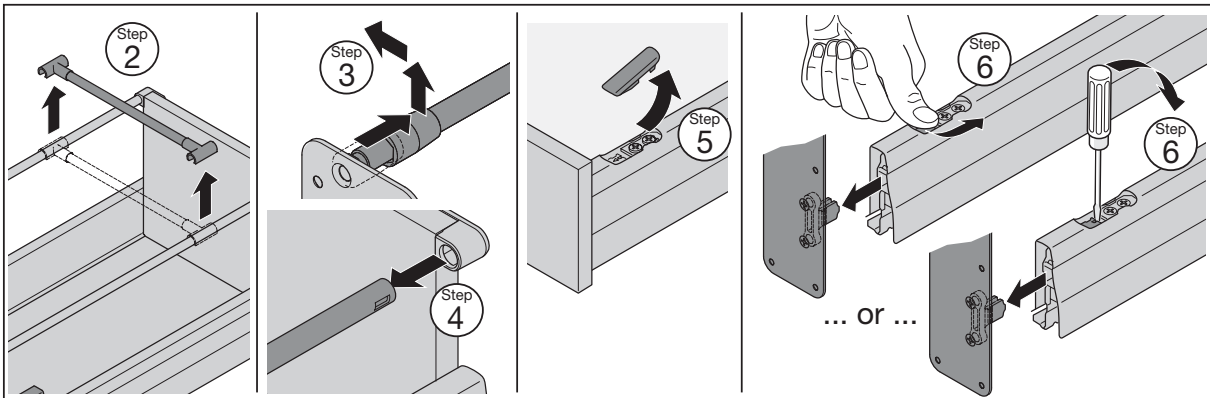


B

10x

**Backset:**

Overlay door: Backset = 3/4"

Inlay door: Backset = 3/4" + thickness of door
(check inside depth of cabinet)**C**

D

Overlay
Doors

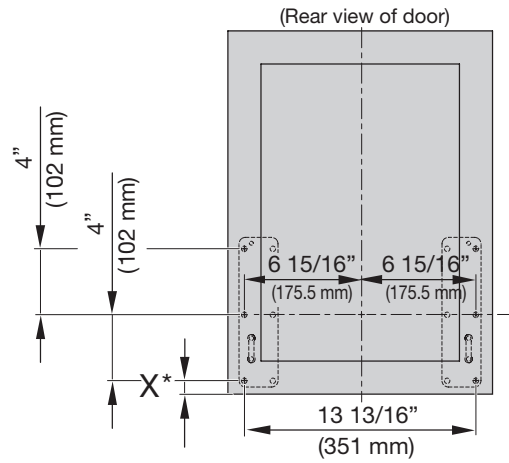
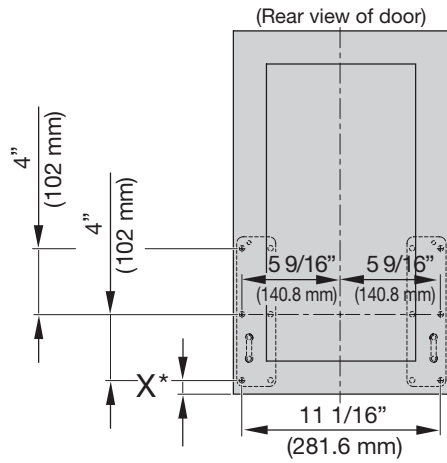


8x

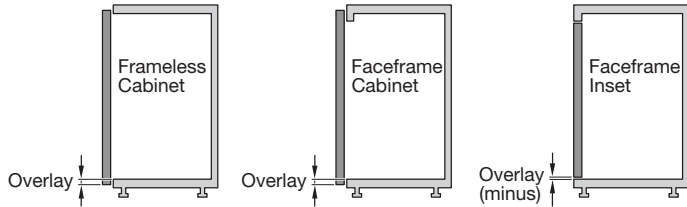


Single (36 qt.)
Double (2 x 27 qt.)
Standard Overlay or Inset Doors

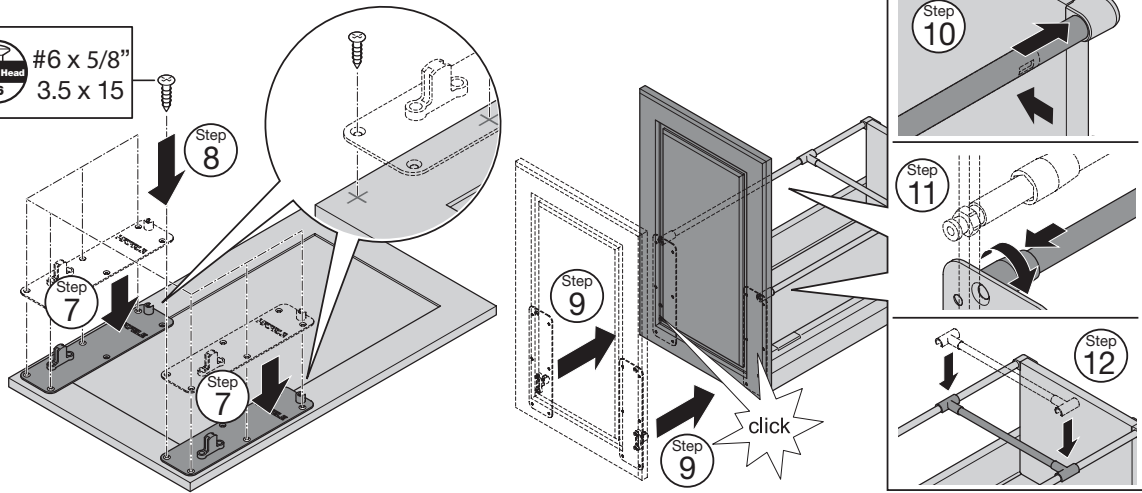
Double (2 x 36 qt.)
Standard Overlay or Inset Doors



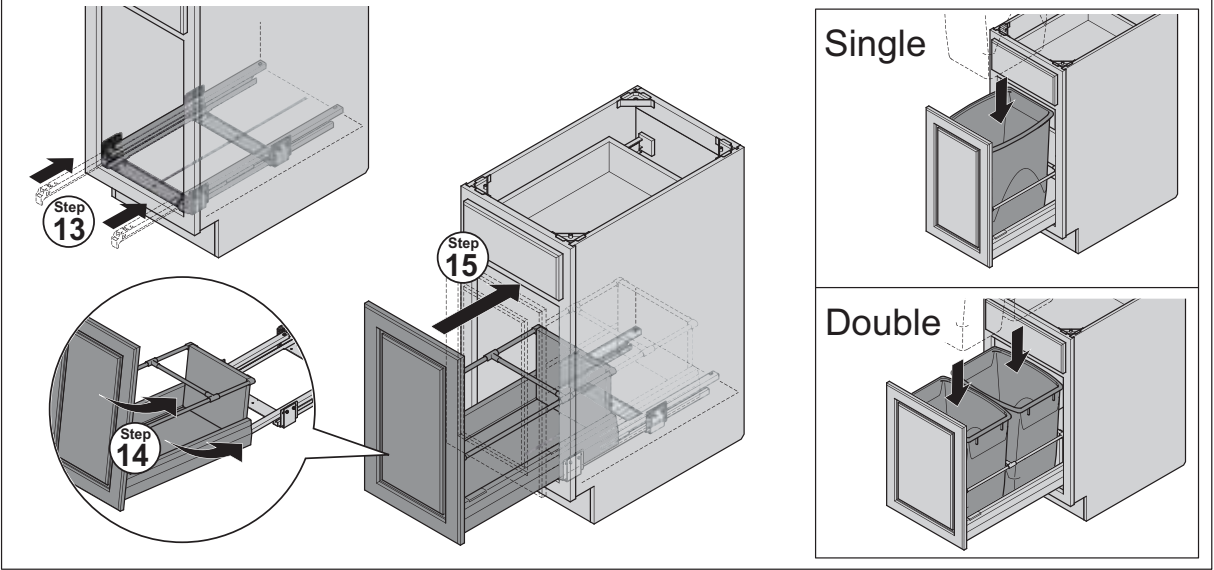
* $X = \frac{3}{8}$ " (10 mm) + Overlay



8x #6 x 5/8"
3.5 x 15

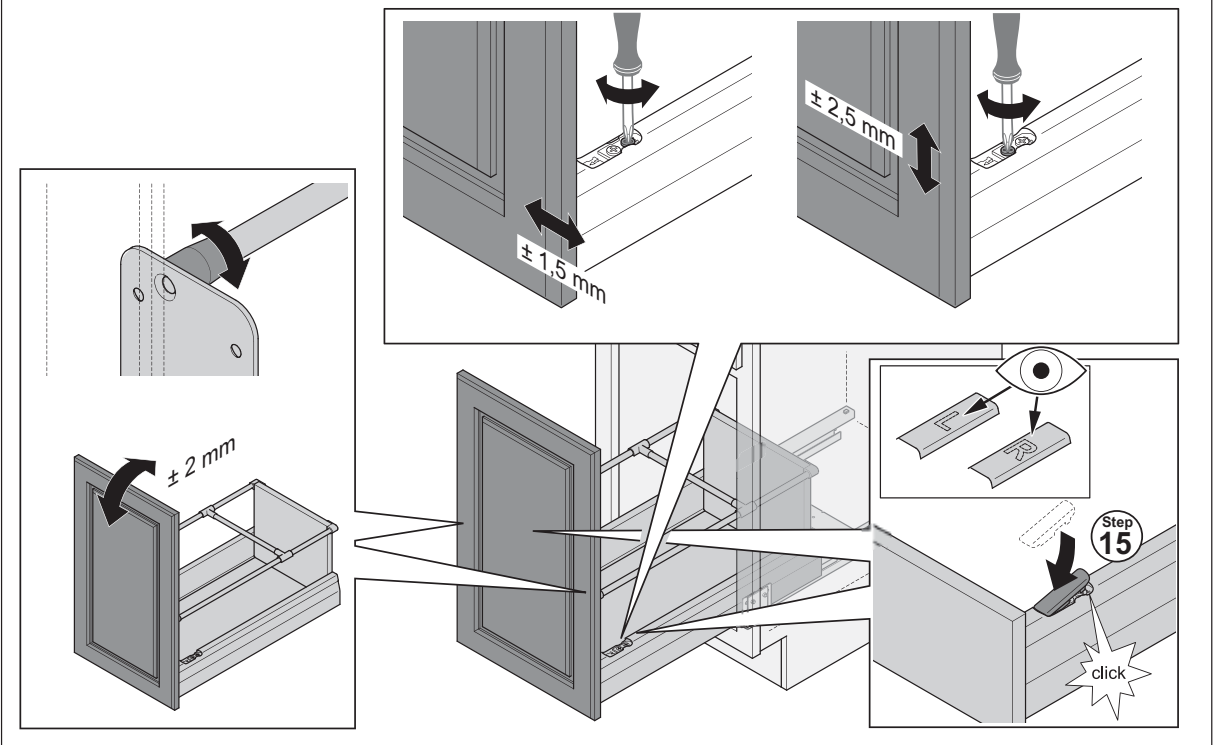


E



Adjustment of door

F



732.25.400