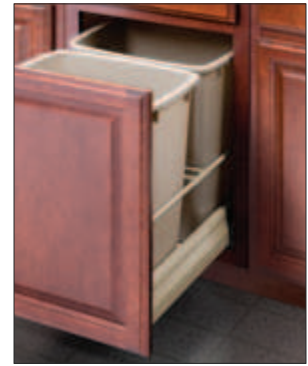


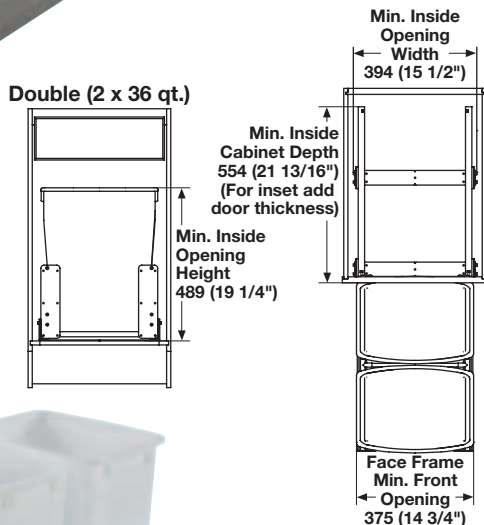
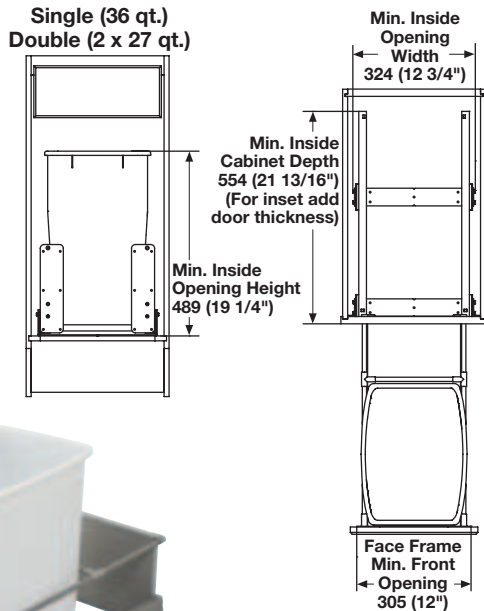
MOOVIT – Pull-Out Bottom Mount

- Double wall steel frame system provides heavy duty structure and a stylish design
- 3 finish options available; Champagne, Metallic Gray, and Metallic White
- Unit comes pre-assembled with bins included
- Bottom mount unit designed for Face Frame or Frameless cabinets
- 6 way Door Front Adjustment
- Melamine Bottom and Back with Edgebanding
- Full Extension Progressive Action runners with 110 lb. weight capacity
- Quick mounting, bottom bracket rests against back of face frame (3/4" from front edge)

soft&silent)))



3



Bin Units

- Minimum Opening Width:
- 12" (305 mm) Face Frame
 - 12 3/4" (324 mm) Frameless
 - 13 1/2" (343 mm) with door brackets reversed for Full Overlay 5 piece doors
- Minimum Opening Height: 19 1/4" (489 mm)
Minimum Inside Depth: 21 13/16" (554 mm)

Note

Add your door thickness for inset applications.

Single (36 Qt.)

Material: Steel, Particle Board and Plastic

Frame	Bottom and Back	Bin	Item No.
metallic white	white melamine	white	503.15.701
metallic gray	gray melamine	white	503.15.201
champagne	maple melamine	champagne	503.15.801

Supplied With

36 qt. bin, Frame, Mounting screws, Mounting instructions

Double (2 x 27 Qt.)

Material: Steel, Particle Board and Plastic

Frame	Bottom and Back	Bin	Item No.
metallic white	white melamine	white	503.15.711
metallic gray	gray melamine	white	503.15.211
champagne	maple melamine	white	503.15.811

Supplied With

2 27 qt. bins, Frame, Mounting screws, Mounting instructions

Double Bin Units (36 Qt.)

- Minimum Opening Width:
- 14 3/4" (375 mm) Face Frame
 - 15 1/2" (394 mm) Frameless
 - 16 1/4" (413 mm) with door brackets reversed for Full Overlay 5 piece doors
- Minimum Opening Height: 19 1/4" (489 mm)
Minimum Inside Depth: 21 13/16" (554 mm)

Material: Steel, Particle Board and Plastic

Frame	Bottom and Back	Bin	Item No.
metallic white	white melamine	white	503.15.702
metallic gray	gray melamine	white	503.15.202
champagne	maple melamine	champagne	503.15.802

Supplied With

Frame
2 36 qt. bins
Mounting screws
Mounting instructions

Note

Add your door thickness for inset applications.

Dimensions in mm
Inches are approximate