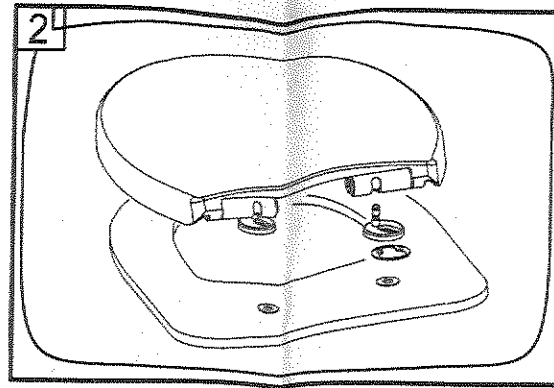
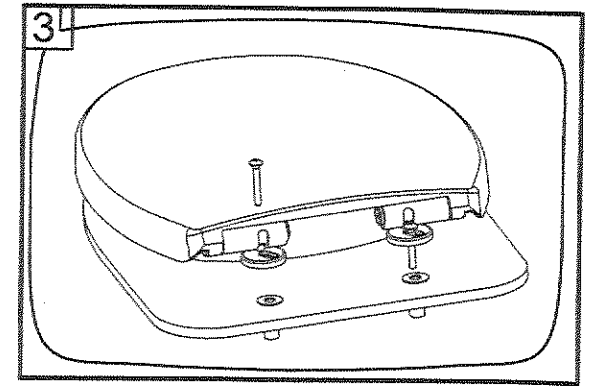


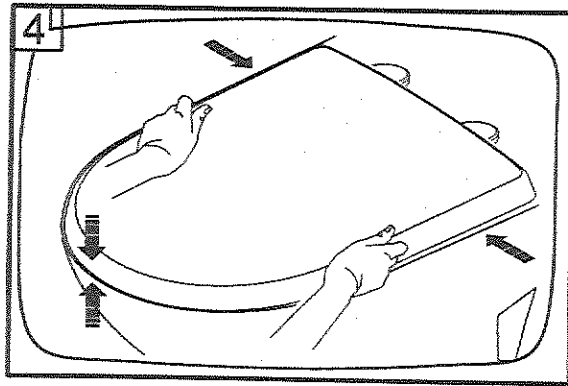
1  
Insert the expansion rubbers into the hinge holes of the WC pan.



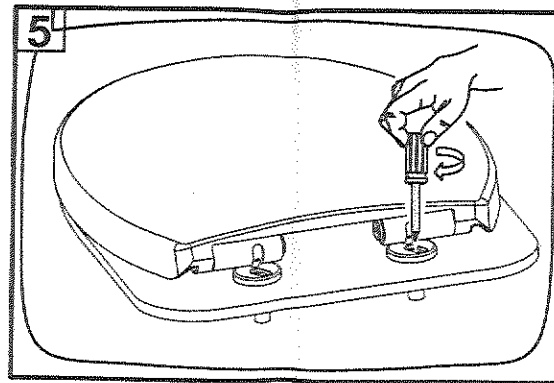
2  
Mount the hinges onto the shaft of the toilet seats.



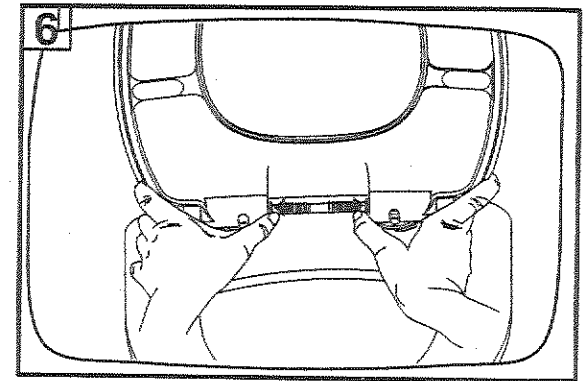
3  
Plug the bolt into the expansion rubber.



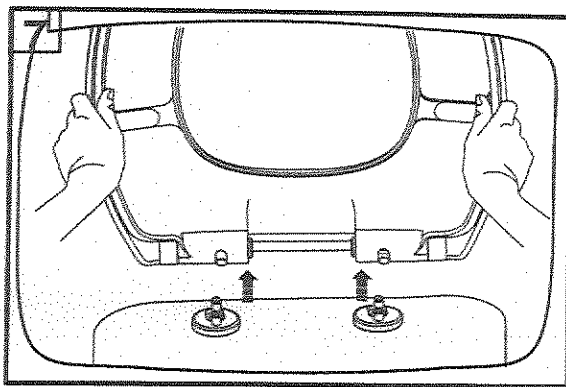
4  
Align the toilet seats with the WC pan.



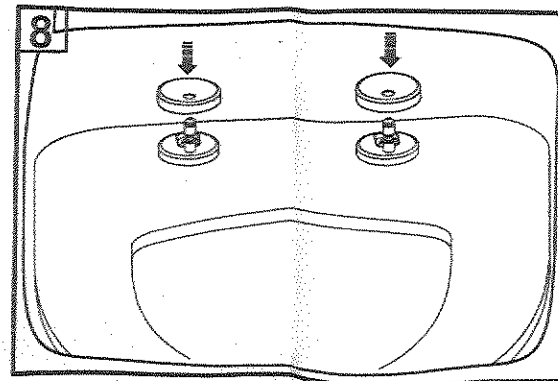
5  
Screw the bolts.



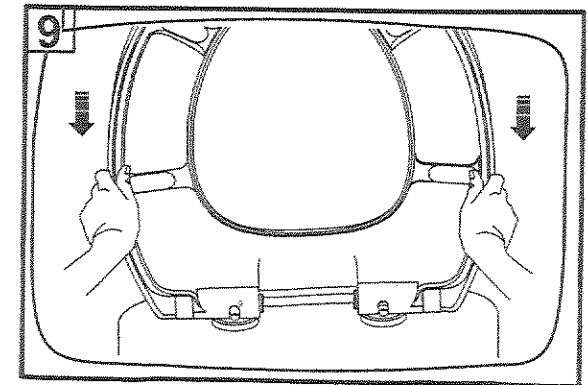
6  
Push the right and left buttons.



7  
Lift the toilet seats.



8  
Put on the cover of the hinge.



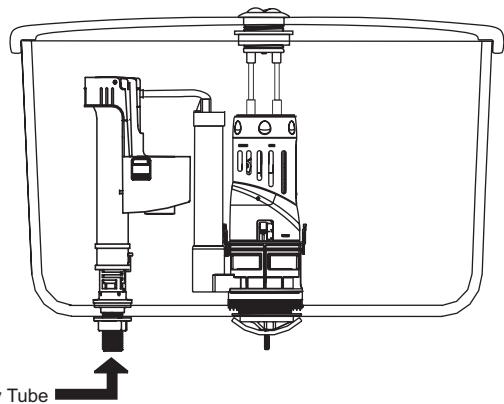
9  
Mount the toilet seats.

562552

# Installation Manual of Tank Trims

Please give the manual to the end user. Please read the manual thoroughly before using it.

## General Drawing

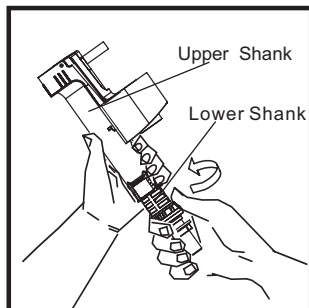


### WARNING:

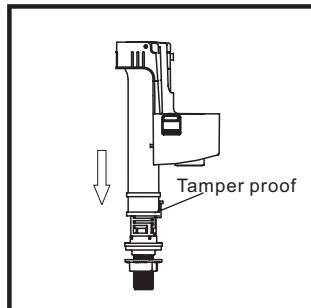
Do not use an in-tank type bowl cleaner in your toilet. In-tank cleaners containing chlorine (calcium hypochlorite) can seriously damage fittings in the tank. We shall not be responsible for any tank fitting damage caused by the use of cleaners containing chlorine (calcium hypochlorite). We will not be liable for damages due to improper handling or installation, abuse or alteration of the product. We disclaim any responsibility for incidental or consequential damages.

## The Installation Manual

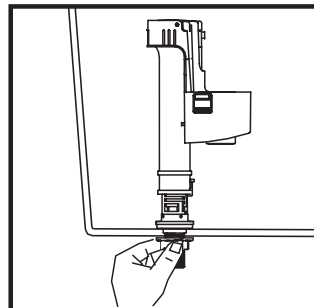
### 1. The Installation of Fill Valve



**Adjust Height of Fill Valve:**  
To adjust height, push the Tamper proof up, turn the upper shank clockwise to unlock teeth from lower shank. Next, adjust the height by pulling up or down on upper shank to set at desired height.

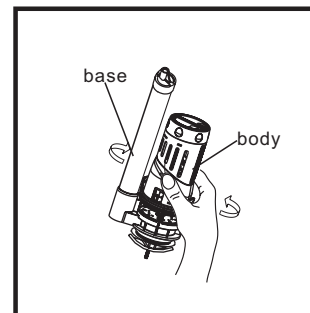


After adjusting height of Fill valve, rotate the upper shank counter clockwise to lock into lower shank. Next, push down On Tamper proof to secure it.

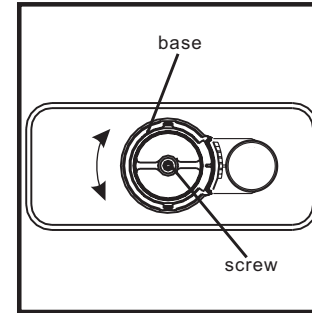


**Installing Fill Valve:** To install into tank, remove locknut and slide Fill Valve into the hole in tank. Next, position Fill valve to desired position and tighten the locknut. **(DO NOT OVER TIGHTEN)** (Torque <math>< 2.2 \text{ LB-FT}</math>)

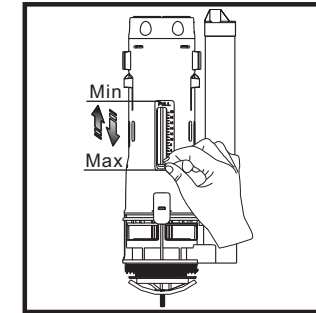
### 2. The installation of Outlet Valve



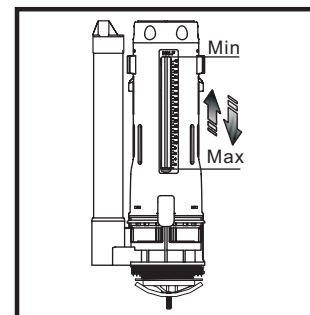
Rotate the flush valve body separate the body from base as shown in the Fig.



Install the flush valve base into the outlet to make the "U" clasp can clip on the tank properly. Rotate the base to choose proper angle and lock the screw.

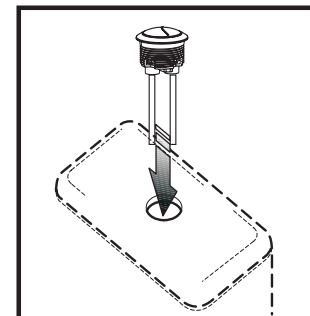


Adjustment of whole flush level: when the white card is on the highest position, the whole flush water is at the least.

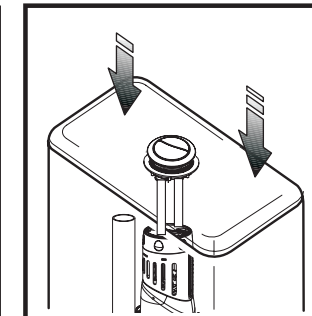


Adjustment of partial flush level: The partial flush float is higher, the partial flush water is less.

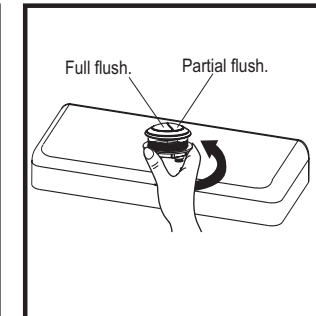
### 3. Push button installation



Cut the rod to a proper length, put the push button into the hole.



Adjust the direction of the push button. Be sure the full flush button toward the full flush touch piece.



Tighten the nut.

Attention: If the product is different from the drawing, Please take the object as right.