

Product Installation Manual

Installation Instruction for water closet

FOR:
TB222M/L、TB309-1M/L、
TB334M/L、TB336M/L、
TB340M/L、TB346M/L、
TB351M/L、TB353M/L、
TB354M/L、(N)TB131M/L、
(N)TB133-1M/L、(N)TB326M/L、
(N)TB347M/L、(N)TB352M/L

Before Installing

1. Read the instruction carefully to be familiar with the tools, fittings and installation procedures to prevent any unnecessary damage.
2. Check the fittings follow the fitting form and check whether there is any damage of the product.
3. Check whether the roughing-in on installing position is aligned with the one of product. Realize all the stipulates for pipelines preposing for water supply.
4. Because the ceramics is easy to be damaged, please handle it gently and the nut should not be overtightened.
5. The floor of installation position should be flat and hard.
6. If you want to change the water closet, please turn off water supply and flush the water closet to make sure no water remains inside the product. Remove the soft pipe for water supply, and unfasten screws. Then remove the water closet and the old gasket and clean the end of the outlet of drainage.
Note: Please plug the drainage outlet on the floor if you do not install the product at once.
7. Make sure the water supply has been off.

NOTE: 1. Refer to the newest information of the printed matter. We reserve the rights to change the features, packing and fittings of the products without notice.
2. Please keep the installation instruction carefully (including installation procedure, fitting form, trouble shooting and notice.)

Tools and Fittings (Not supplied with the product)

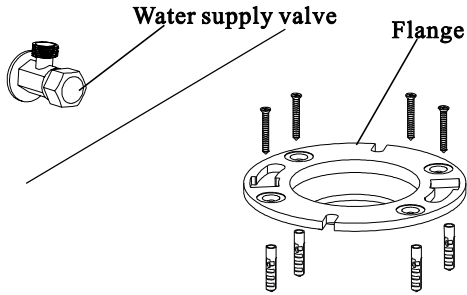
- | | | |
|-----------------------|----------------|-------------------------|
| 1.monkey wrench | 5.level | 9.water supply valve |
| 2.pipe wrench | 6.screw driver | 10.connecting soft pipe |
| 3.tapeline | 7.hacksaw | 11.silicone |
| 4.percussive drilling | 8.sinker | 12.flange |

Installing Procedure

1、 Install Flange and Water Supply Valve

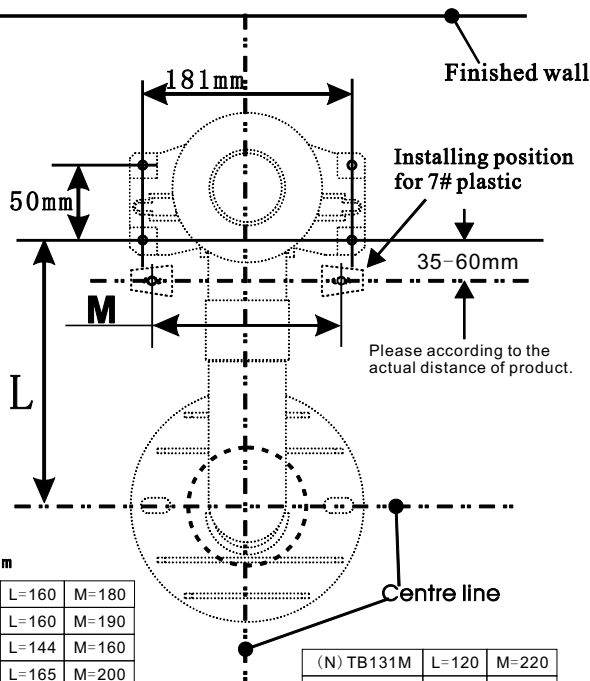
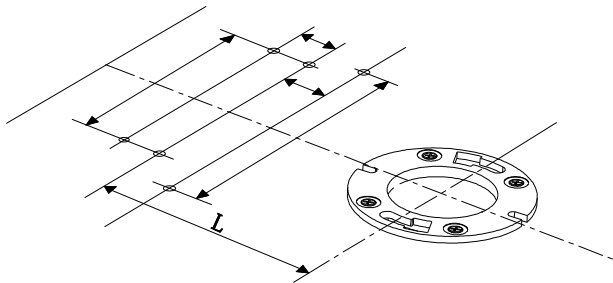
1. Install the water supply valve onto the installing position according to the dimension of the product. Then get the flange aligned with drainage outlet. Mark the installing positions for screws and drill holes. Then fix the flange onto floor.

Note: Do not use high-congealed material (cement & mortar) when you installing the product because of the dilatation for the cement which will damage the bottom of product. EAGO has no responsibility for that damage.



Mark installing holes

Mark the centre line for drainage outlet. Mark the installing position for mounting screws and connecting pipe as illustrated (drawing for distance of installing holes).



单位: mm

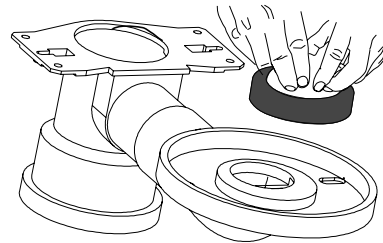
TB222M	L=160	M=180
TB309-1M	L=160	M=190
TB334M	L=144	M=160
TB336M	L=165	M=200
TB340M	L=160	M=190
TB346M	L=144	M=220
TB351M	L=130	M=220
TB353M	L=130	M=200
TB354M	L=130	M=200

(N) TB131M	L=120	M=220
(N) TB133-1M	L=144	M=210
(N) TB326M	L=135	M=190
(N) TB347M	L=130	M=190
(N) TB352M	L=130	M=210

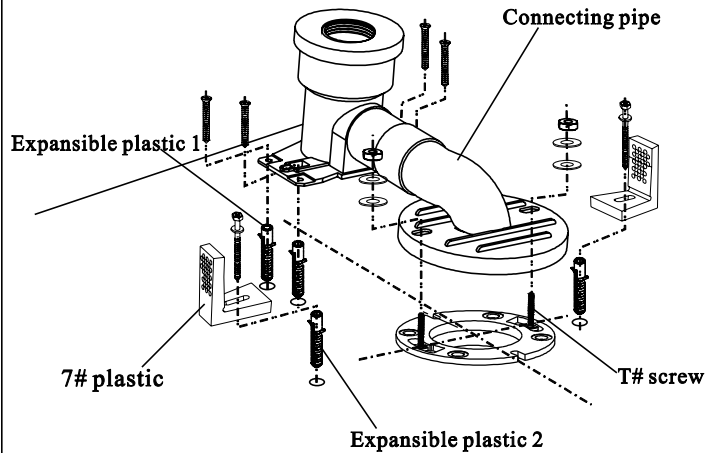
Drawing for distance of installing holes

3、 Install T# screw, mounting screw and connect pipe

- ① Drill holes onto installing position and insert expansible plastics.
- ② Make the bottom of connecting pipe up towards, then cover the flange onto water outlet tightly. Make sure the pipe is not plugged.
- ③ Get 2 T# screws through the installing holes of connecting pipe. Adjust the screws to get the four holes on the back side of connecting pipe aligned with expansible plastics on the floor. Fix the connecting pipe and 7# plastic onto the floor as illustrated.



Installing Hole for Expansible Plastic 1: 4pcs
 Ø 5, height of 30mm
 Installing hole for Expansible Plastic 2: 2pcs
 Ø 10, height of 50mm



4、 Install water closet

- ① Put up the water closet and make sure the two pieces of mounting screws are all through the installing holes of water closet. Get the centre line of water closet aligned with the centre line on the floor and then put down the water closet gently.
- Note: Make sure the pipe is through the 4 layers of sealing rubber spacer of connecting pipe after installing the product. Otherwise it will have bad effect for flushing function.

