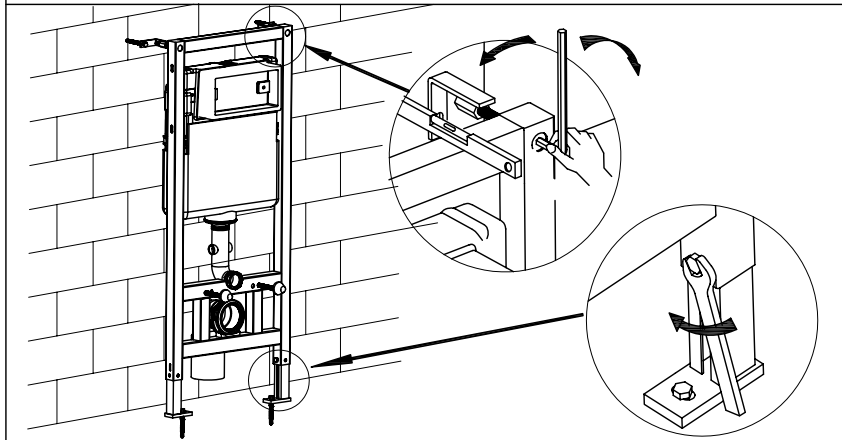
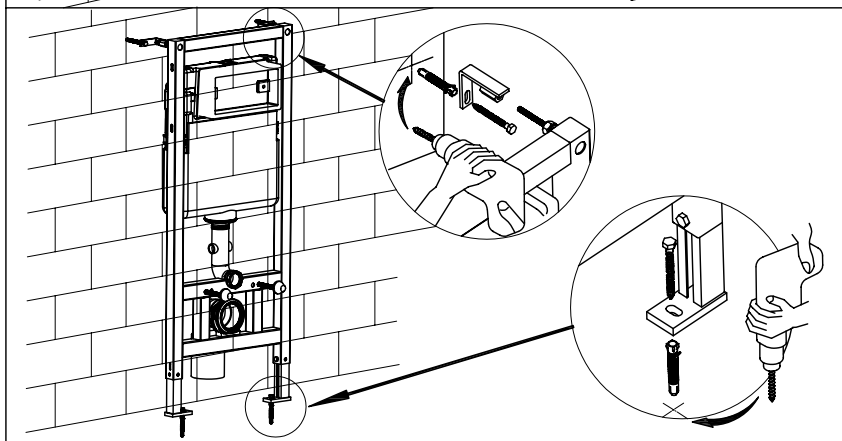
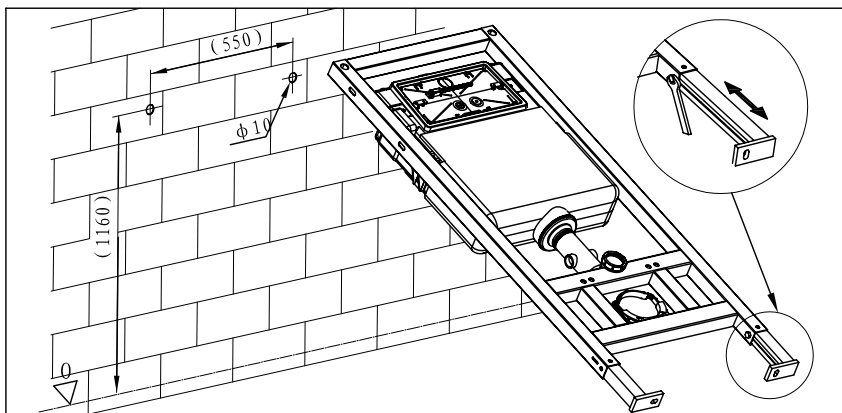


Note:All size unit is mm

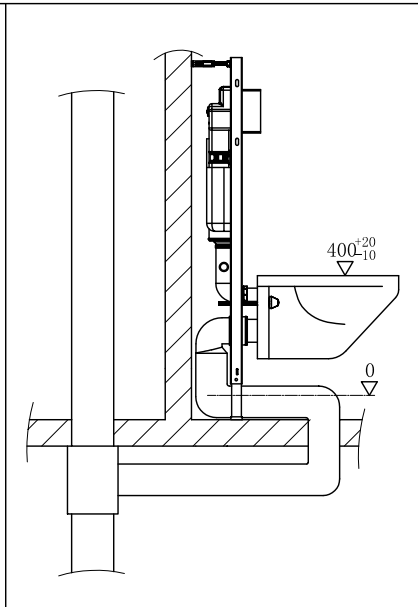
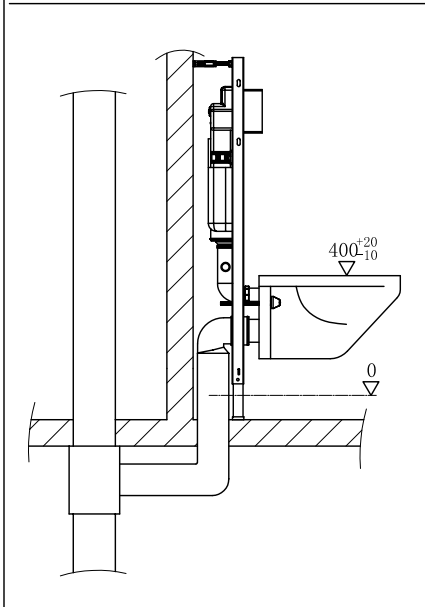
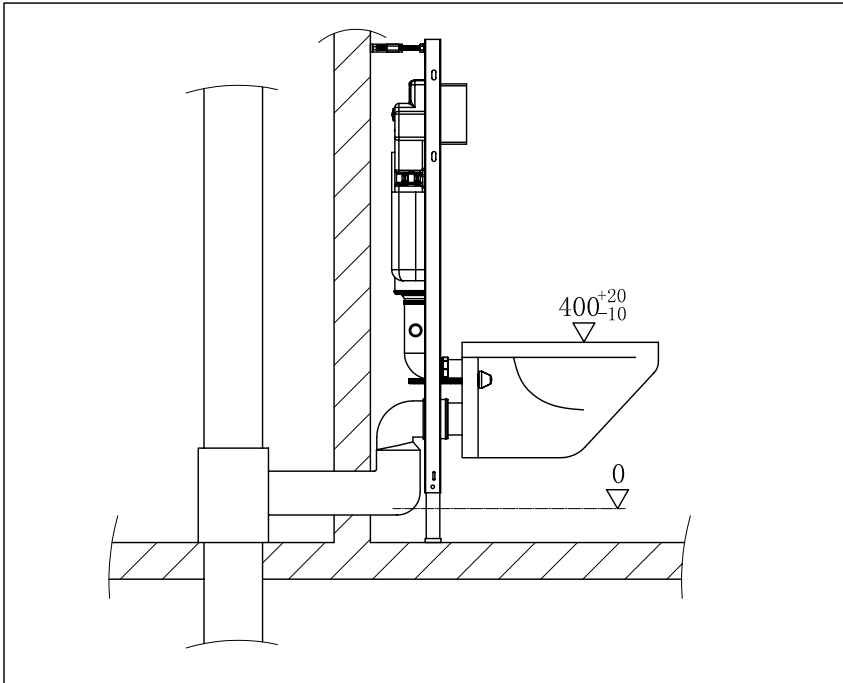
0 = finished floor

# Installation Guide for Front Concealed Cistern



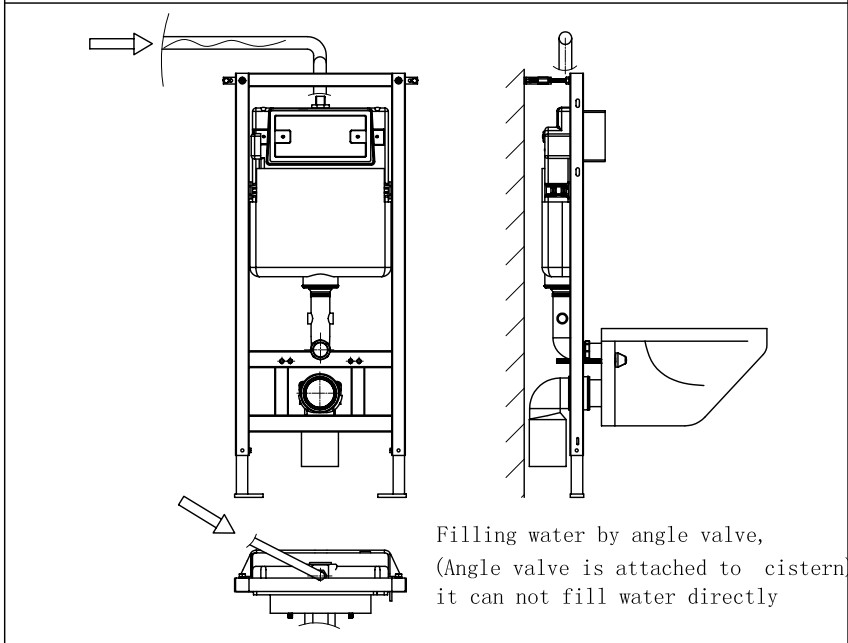
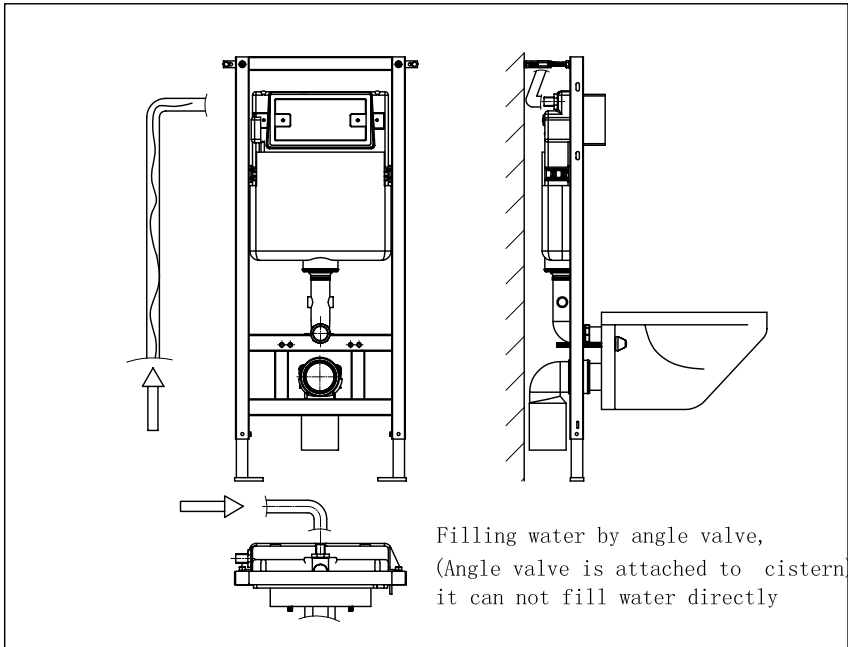
Note: All size unit is mm  
 $\phi$  = finished floor

# Installation Guide for Front Concealed Cistern



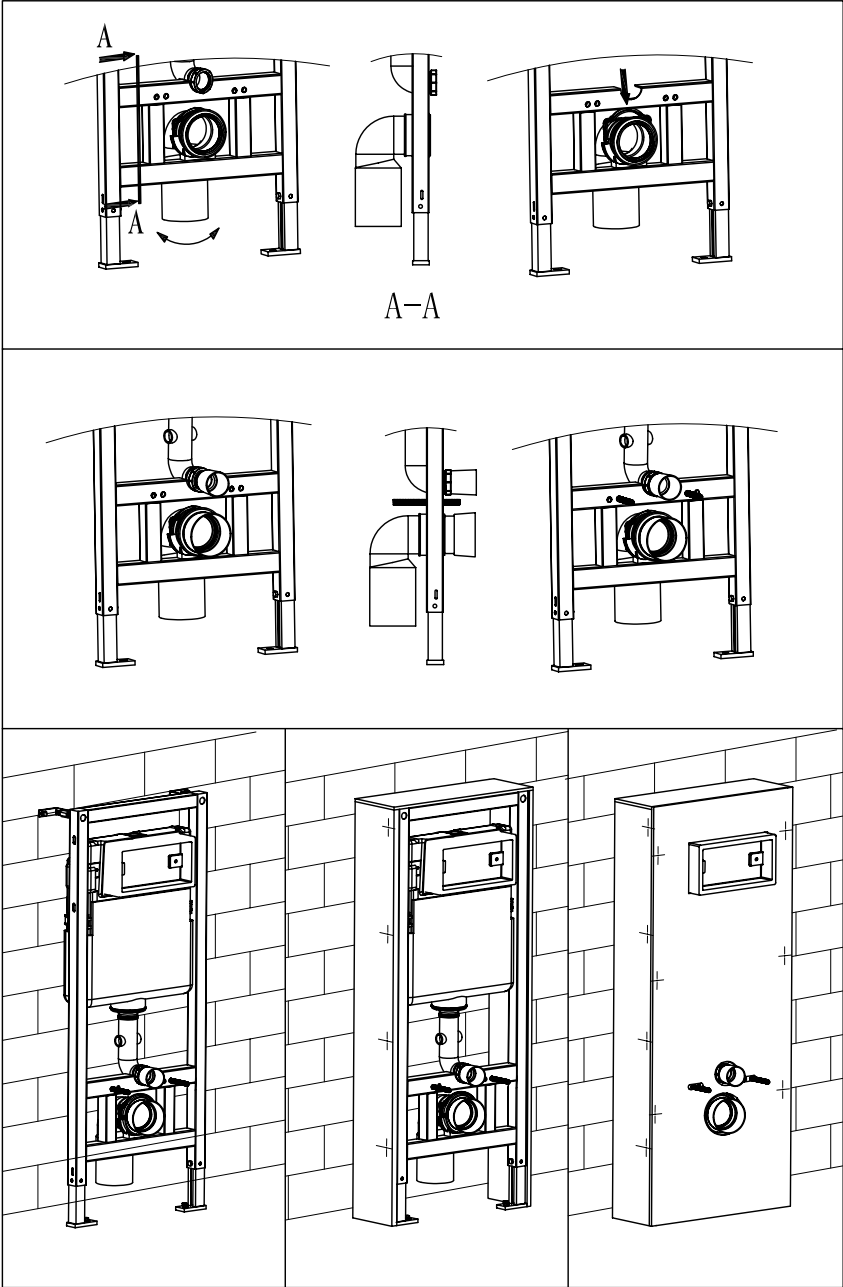
Note: All size unit is mm  
0 = finished floor

# Installation Guide for Front Concealed Cistern

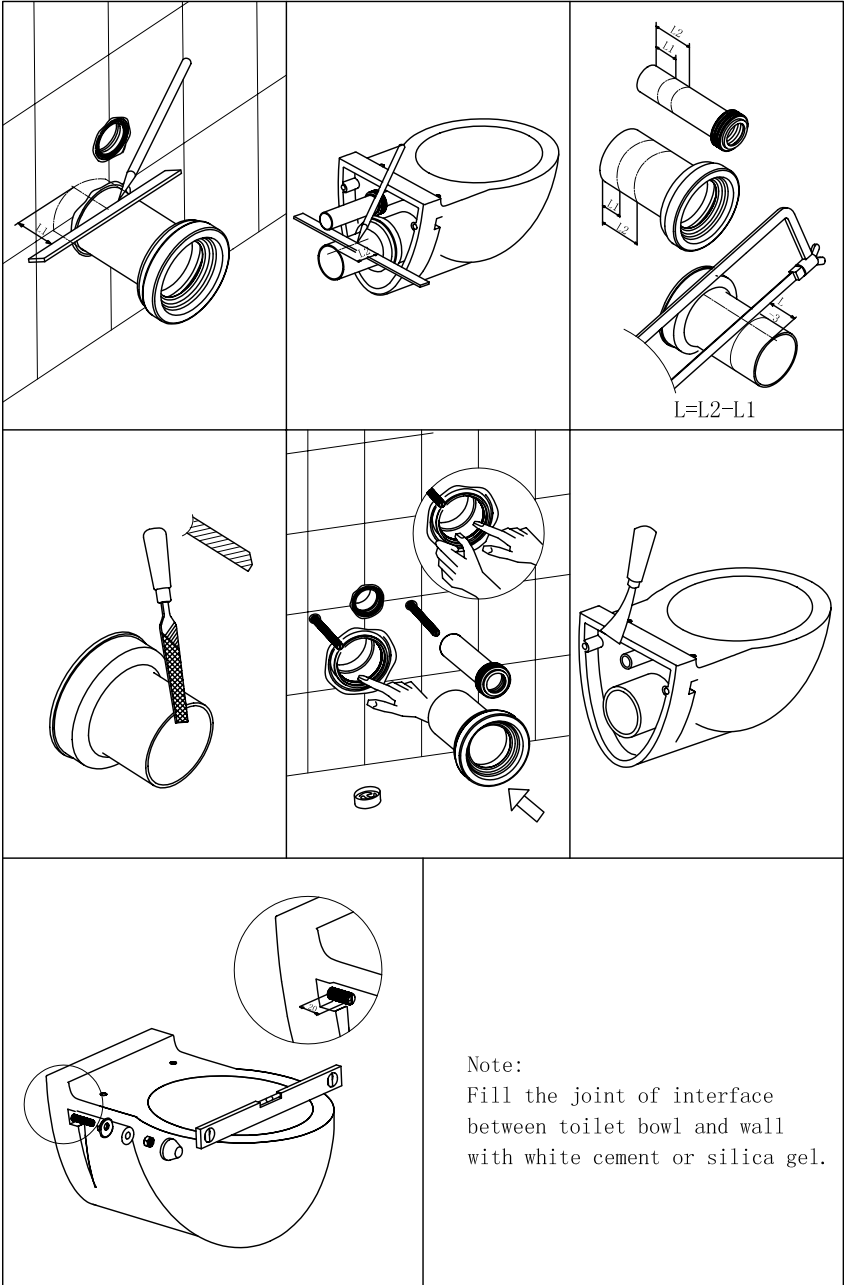


Note: All size unit is mm

# Installation Guide for Front Concealed Cistern



# Installation Guide for Front Concealed Cistern



Installation Guide for Front Concealed Cistern

