

HÄFELE

at

cabinet :: accessories
UNLIMITED



Maximum load capacity 15 kg (33 lbs.)



5

Kitchen Accessory Systems



***Note:** For the specification of a correct adhesive bond for the fitting of the glass top, please contact your glass supplier.

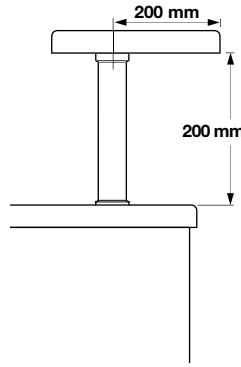


Bio-Fix™ products from Häfele.

Dimensional data not binding. We reserve the right to alter specifications without notice.

5.104 TCH 02

Countertop Supports



90° Countertop support for solid tops

Mounted on the countertop
Size 50 x 200 mm
Finish: steel, chrome-plated

Cat. No. 505.15.200

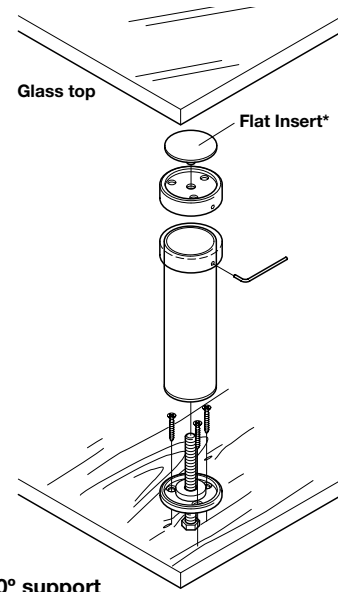
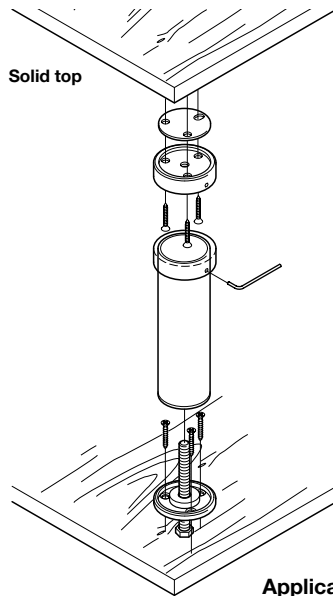
Packing: 1 pc. (includes mounting hardware)

90° Countertop support for glass tops

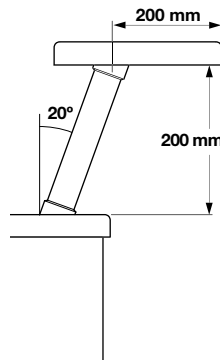
Mounted on the countertop and with glue to the glass
Size 50 x 200 mm
Finish: steel, chrome-plated

Cat. No. 505.15.201

Packing: 1 pc. (includes mounting hardware)



Application showing 90° support



Angled Countertop support slanted 20° for solid tops

Mounted on the countertop
Size 50 x 200 mm
Finish: steel, chrome-plated

Cat. No. 505.15.210

Packing: 1 pc. (includes mounting hardware)

Angled Countertop support slanted 20° for glass tops

Mounted on the countertop and with glue to glass.
Size 50 x 200 mm (2" x 7 7/8")
Finish: steel, chrome-plated

Cat. No. 505.15.211

Packing: 1 pc. (includes mounting hardware)

Dimensions in mm

Hafele at haef.com is a division of **cabinet :: accessories**
UNLIMITED