



# FEDERAL BRACE

TM

## Beautifully Crafted, Confident Support

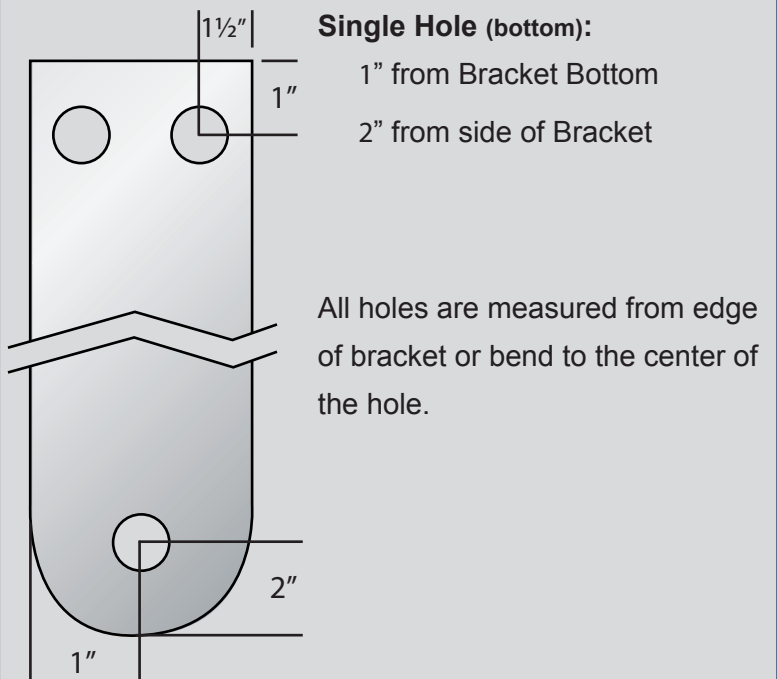


### Valencia Floating Countertop Support



SKU	SIZE	MATERIAL
36538	11.5"x20"	Stainless Steel

- Material Thickness:**  
1/4"
- Material Types:**  
304 Stainless Steel
- Bracket Width:**  
Top plate 2" width      Back Plate 6" width
- Holes Specification:**  
Straight Holes to accommodate 1/4" screws/bolts
- Double Holes (top and center):**  
Top: 1" from Back Plate Top, 1/2" from the Edge  
Center: 1" from center of Bracket



#### Welding Technique:

All gusseted support welding is hidden from the face of the bracket. Plug welding is done on the reverse side to give a clean and sleek look.

