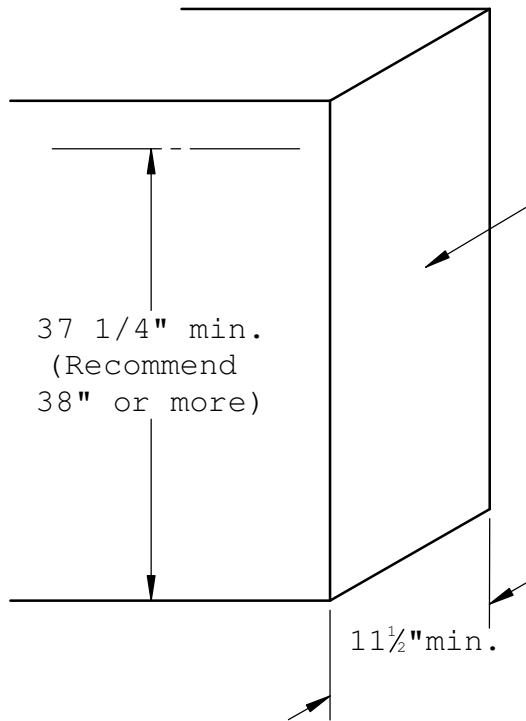
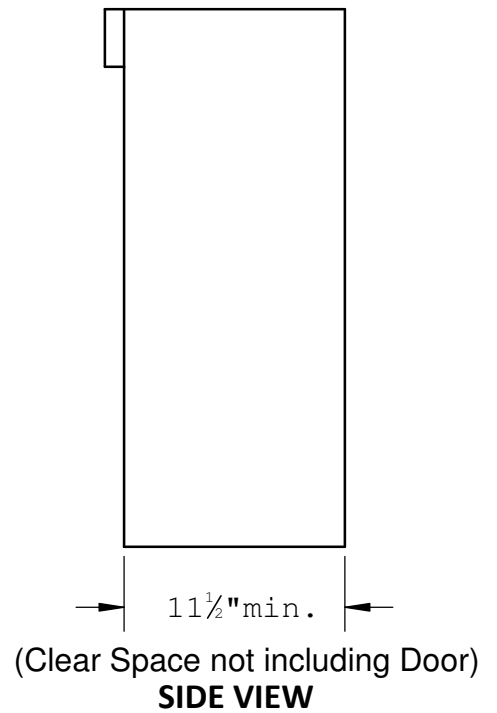
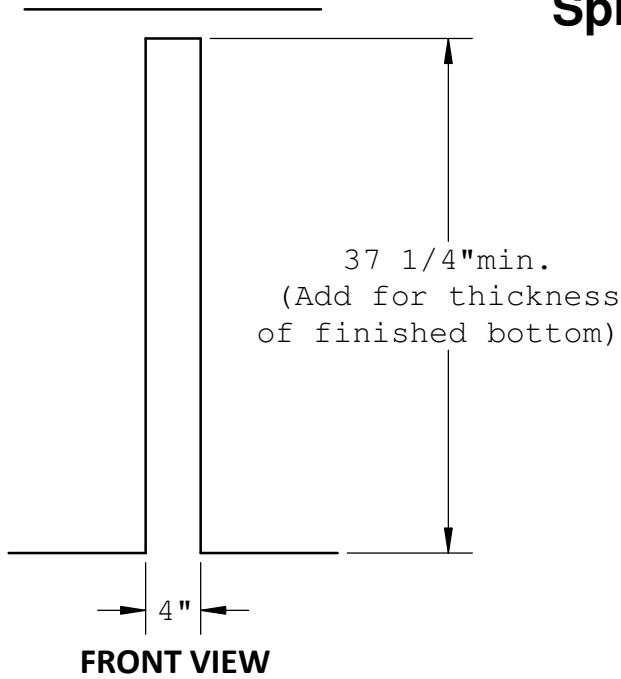


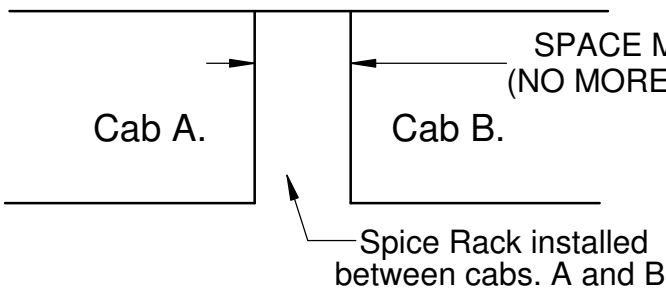
Installation Specifications

Item 8001 Spice Rack



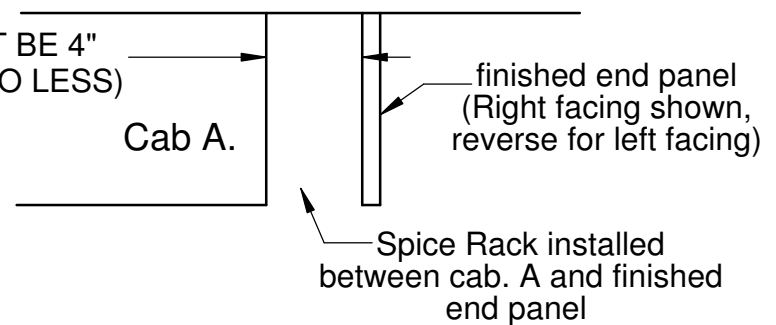
Flat end panel required for mounting
Back side of mounting plate (Right facing shown, reverse for left facing)

NOTE: THE DOOR PANEL TO BE ATTACHED TO THE DROPOUT SPICE RACK SHOULD NOT EXCEED 5 LBS. INCLUDING THE HANDLE. OVER SIZED DOORS WILL REDUCE THE WEIGHT CAPACITY OF THIS STORAGE SYSTEM.



OPTION 1

PLAN VIEW



OPTION 2