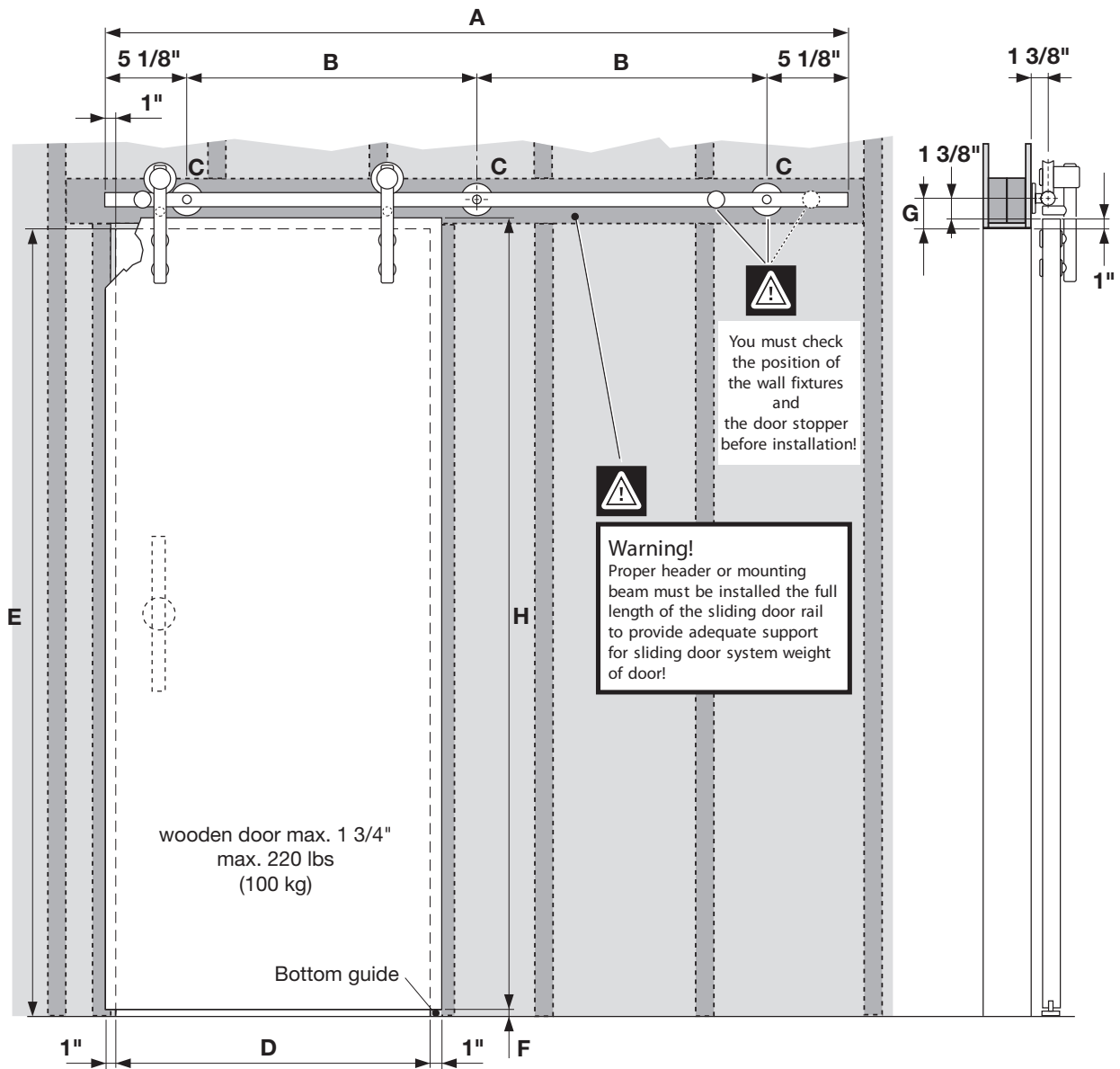


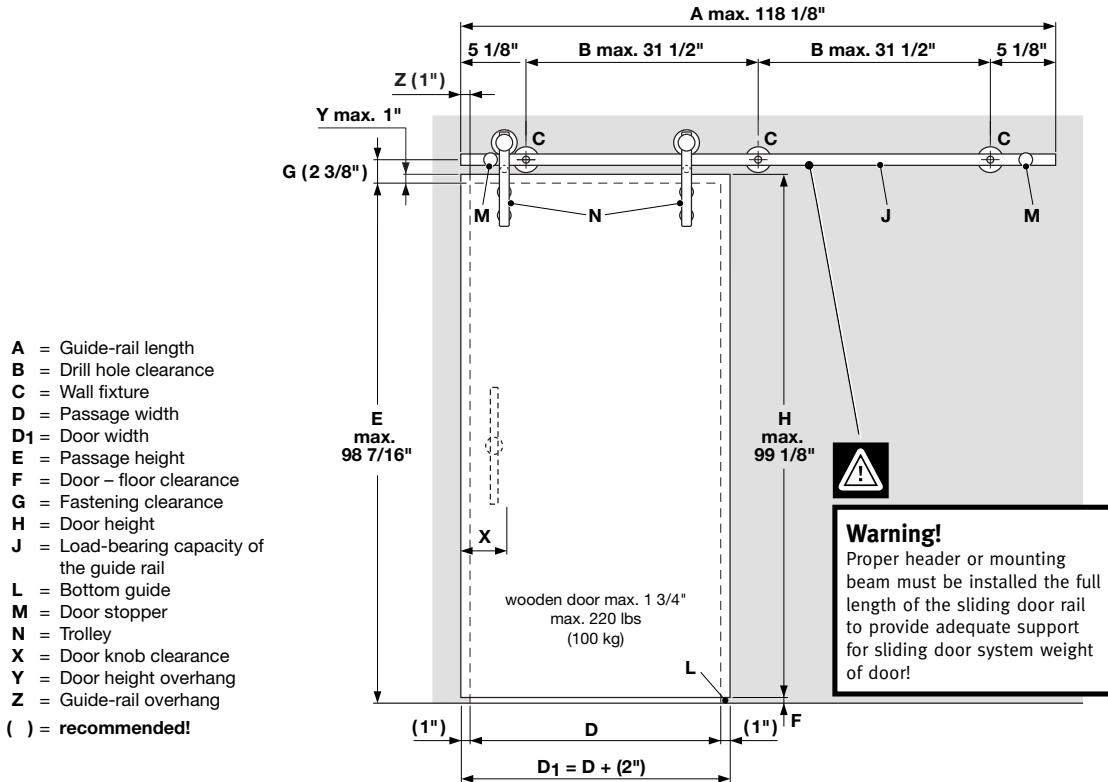
Sliding Door Fittings Unotec Home Planning for wood doors (max. 1 3/4" thickness)



Complete-sets

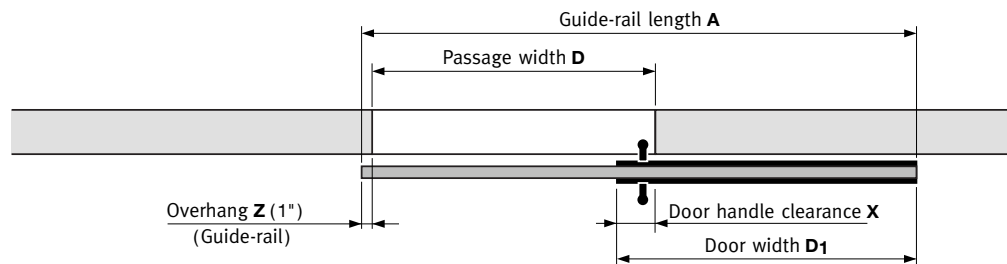
| Set Unotec Home Art. No. | A inch | B inch | C Each | D inch | E max. inch | F inch | G inch | H max. inch (H = E - F + 1") |
|--------------------------------|-----------|-----------|-----------|---------------------|-------------------|-------------|-----------|------------------------------------|
| 941.07.025 | 70 7/8" | 30 5/16" | 3 | 29 1/2" - 35 7/16" | 98 7/16" | 1/4" - 3/8" | 2 3/8" | 99 1/8" |
| 941.07.026 | 82 11/16" | 24 1/8" | 4 | 35 13/16" - 39 3/8" | 98 7/16" | 1/4" - 3/8" | 2 3/8" | 99 1/8" |
| 941.07.027 | 90 9/16" | 26 3/4" | 4 | 39 3/4" - 44 1/16" | 98 7/16" | 1/4" - 3/8" | 2 3/8" | 99 1/8" |
| 941.07.028 | 100" | 29 15/16" | 4 | 44 1/2" - 49 3/16" | 98 7/16" | 1/4" - 3/8" | 2 3/8" | 99 1/8" |

| Manufacturing dimensions (special model) | | | | | | | | | | kg | | | |
|--|---|------|---|----------------|--------------------|------------------|----------|--------------------------------------|---|----|------|---|--|
| inches | | Each | | inches | | | | | Load-bearing capacity of the guide rail | | Each | | |
| A | B | C | D | D ₁ | E max. 98 7/16" | F 1/4" - 3/8" | G | H max. 99 1/8" (H = E - F + Y) | J | L | M | N | |
| | | | | | | | (2 3/8") | | | 1 | 2 | 2 | |



- A = Guide-rail length
- B = Drill hole clearance
- C = Wall fixture
- D = Passage width
- D₁ = Door width
- E = Passage height
- F = Door - floor clearance
- G = Fastening clearance
- H = Door height
- J = Load-bearing capacity of the guide rail
- L = Bottom guide
- M = Door stopper
- N = Trolley
- X = Door knob clearance
- Y = Door height overhang
- Z = Guide-rail overhang
- () = recommended!

Calculation for guide-rail length A

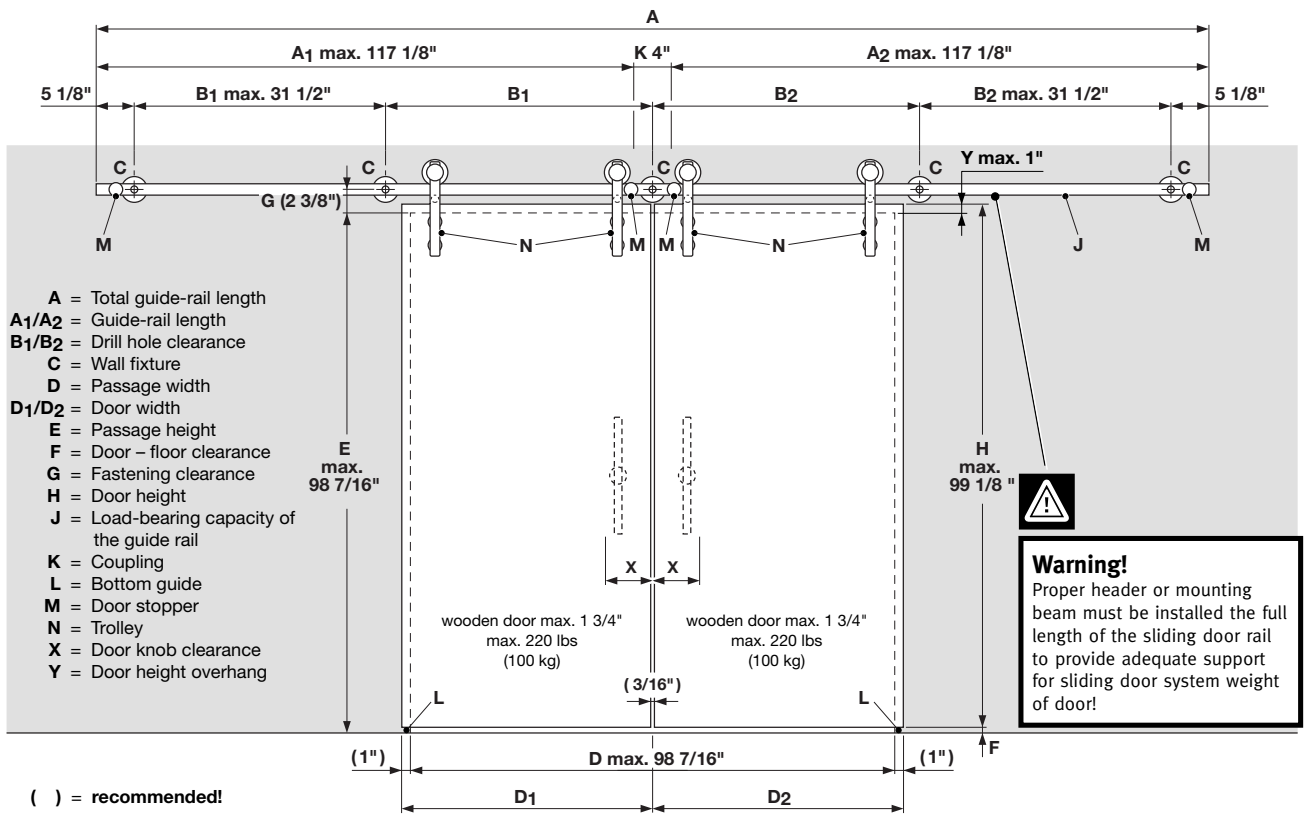


$$\text{Overhang } Z + \text{Passage width } D + \text{Door width } D_1 - \text{Door handle clearance } X = \text{Guide-rail length } A$$

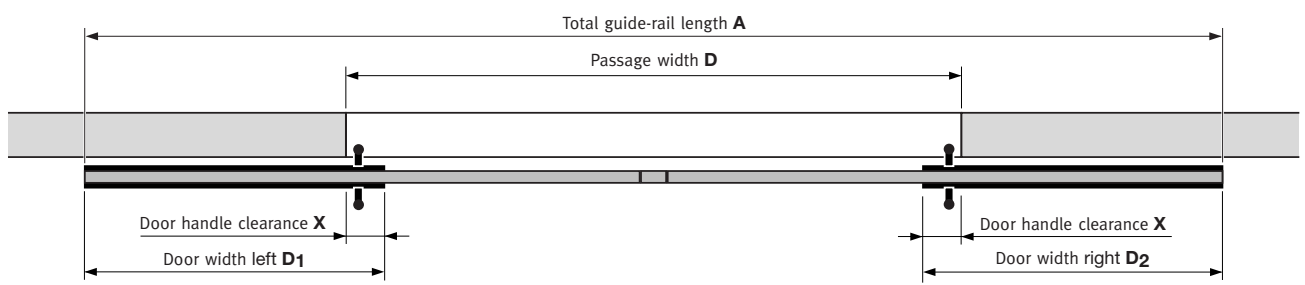


Make door handle clearance so that fingers do not get pinched when the door is manipulated! See page 5.

| Manufacturing dimensions (special model) | | | | | | | | | | | | | | | |
|--|----------------|----------------|---|--------|----------------|----------------|-----------------------|---------------------|----------|--------------------------------------|--|------|---|---|---|
| inches | | Each | | inches | | | | H | | kg | | Each | | | |
| A | B ₁ | B ₂ | C | D | D ₁ | D ₂ | E max. 98 7/16" | F 1/4" - 3/8" | G | H max. 99 1/8" (H = E - F + Y) | Load-bearing capacity of the guide rail J | K | L | M | N |
| | | | | | | | | | (2 3/8") | | | 1 | 2 | 4 | 4 |



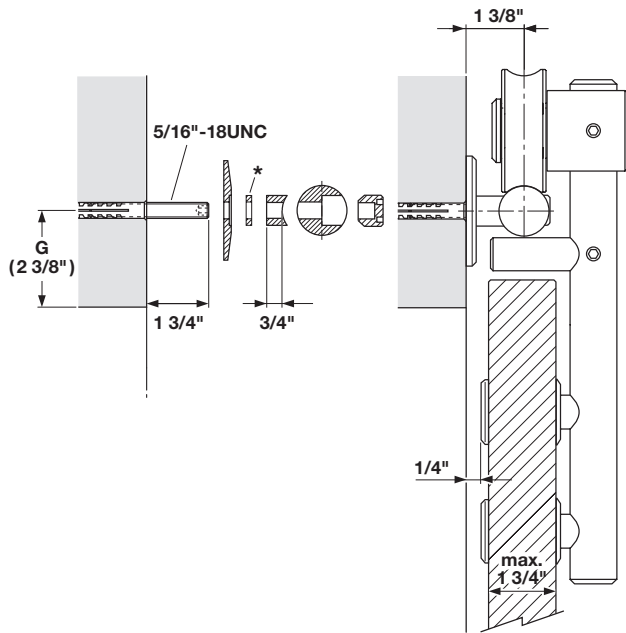
Calculation for total guide-rail length A



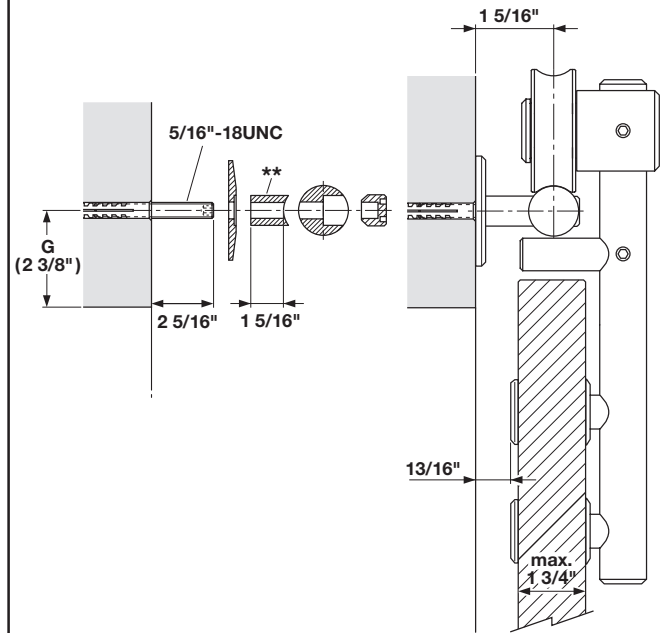
Door width D₁ – Door handle clearance X + Passage width D + Door width D₂ – Door handle clearance X = Total guide-rail length A

Make door handle clearance so that fingers do not get pinched when the door is manipulated! See page 5.

Standard installation



Installation with baseboards and trim

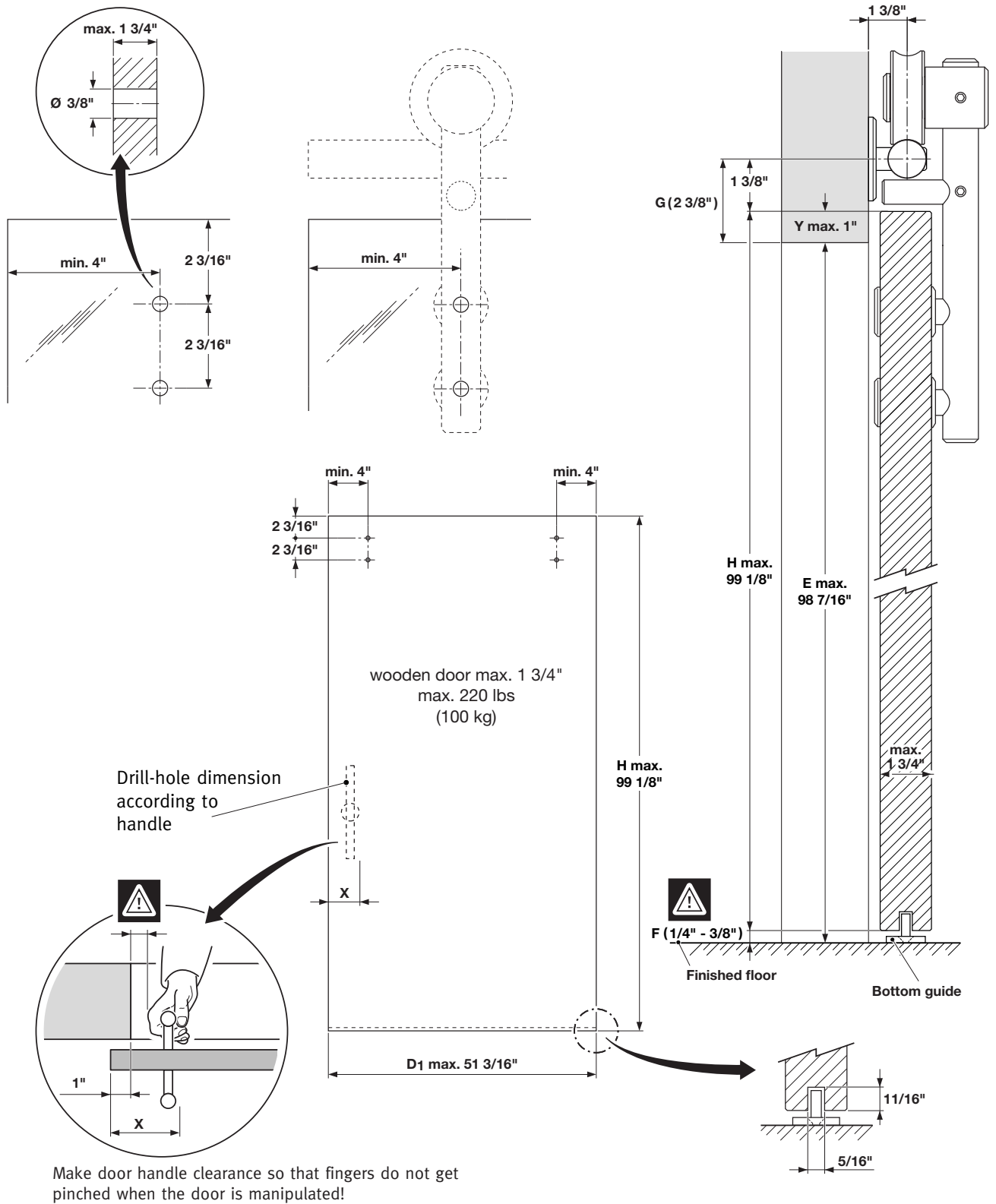


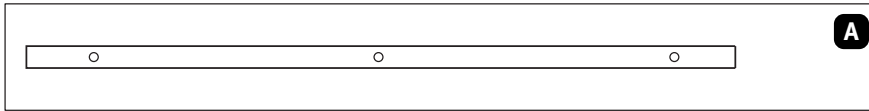
* Compensation disks 1/16", 3/16" and 3/8"
 To compensate for wall unevenness,
 order separately.
 (Only 1 piece per wall fixture!)

** Spacers order separately.

| | Art.-No. | inches |
|--|------------|--------|
| | 941.07.105 | 1/16" |
| | 941.07.106 | 3/16" |
| | 941.07.107 | 3/8" |

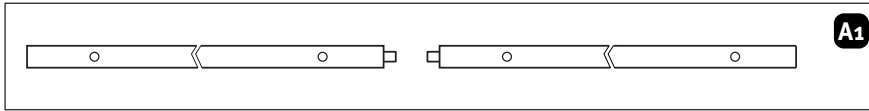
| | Art.-No. |
|--|------------|
| | 941.07.104 |





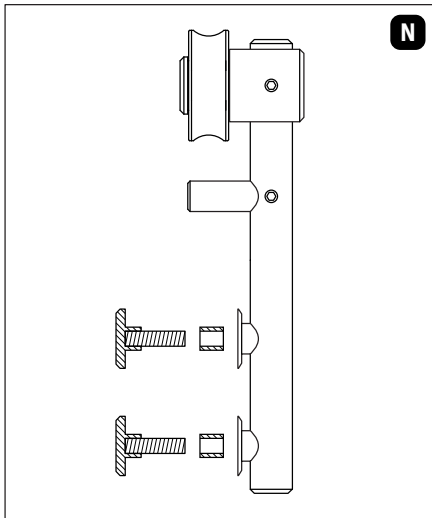
A

Guide rail Ø 1" inch



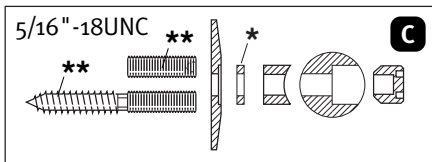
A1

Guide rail Ø 1" inch
for guide rail couplings



N

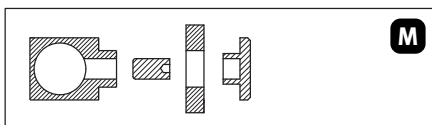
Trolley complete



C

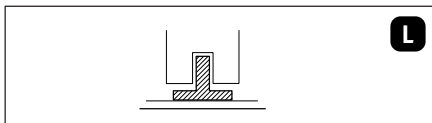
Wall fixtures complete

** Without screws and dowels, at construction site
* Compensation disks * 1/16", 3/16" and 3/8" order separately



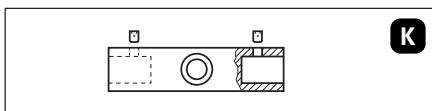
M

Door stoppers complete, stainless steel



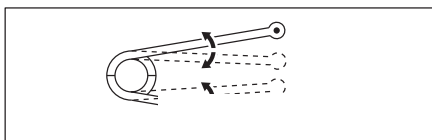
L

Bottom guide, plastic
(Without screws and dowels, at construction site)



K

Guide rail coupling Ø 1" inch



Special tool