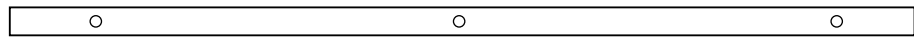
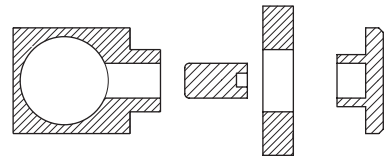


1 Set sliding door fittings **Unotec Home**

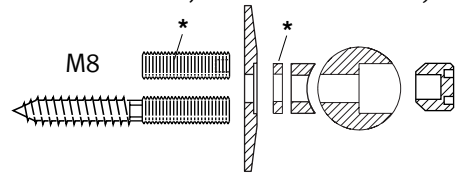
2 Guide rail



3 Door stoppers

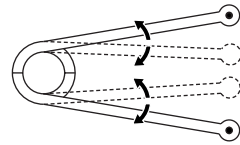


5 Wall fixtures (without screws and dowels, at construction site)

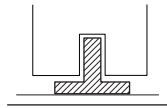


* not included in scope of delivery.

6 Special tool

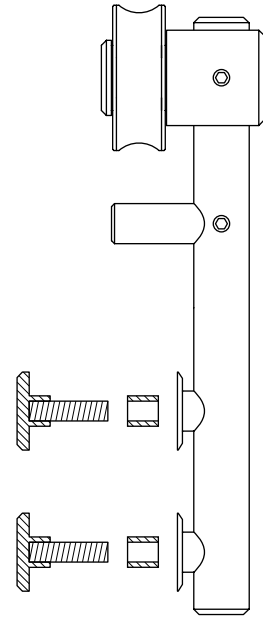


7 Bottom guide



(without dowels and screws, at construction site)

4 Trolley complete



! Comply with all general safety regulations when installing the sliding door fittings!

Installation to be completed by qualified licensed contractor.

Be sure to tighten all screw connections one week after starting to use the sliding door fittings!

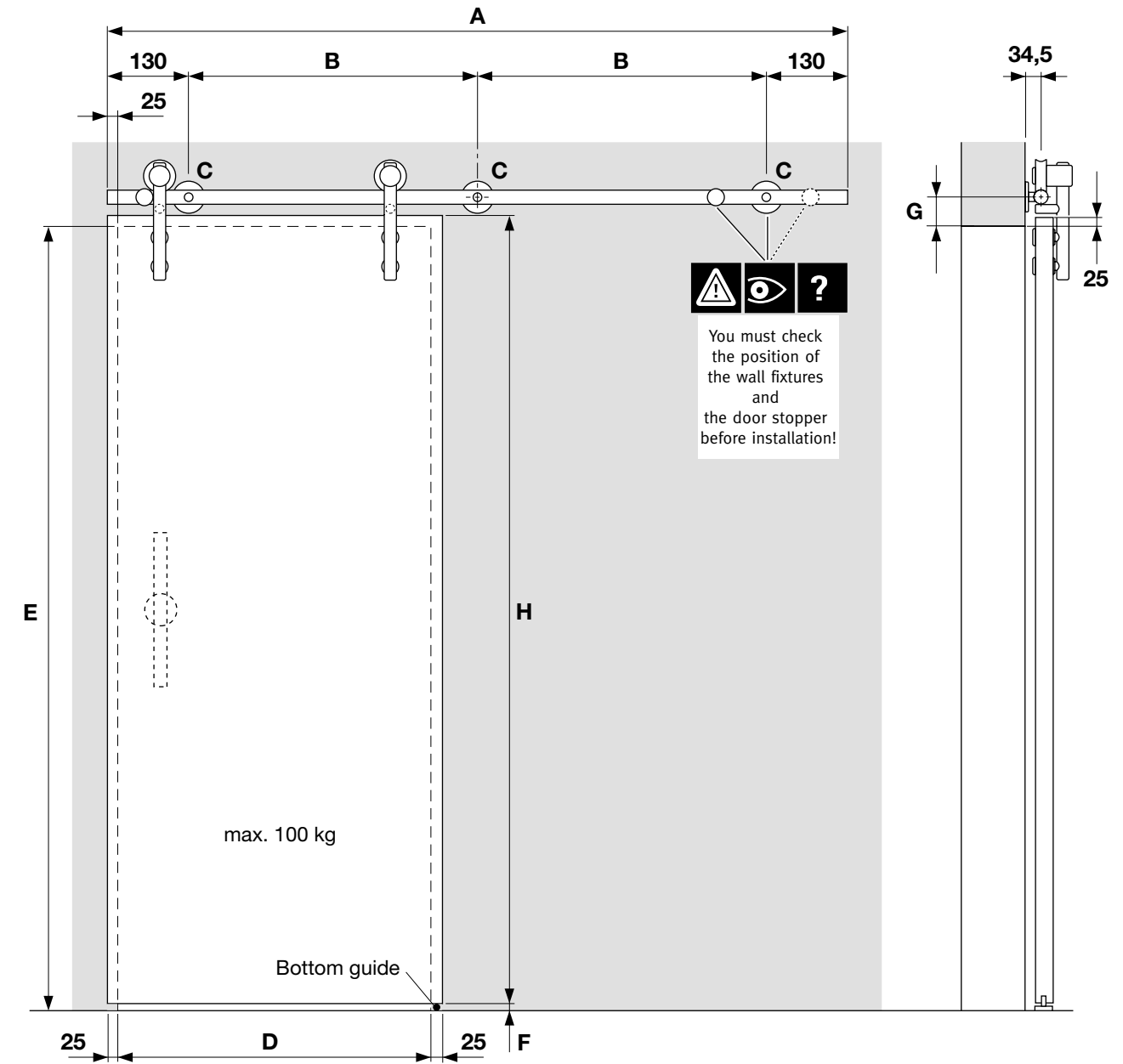
Never use scouring agents to clean the sliding door fittings; rather use commercially available stainless-steel cleaners!

- Attention
- Screw on
- Screw on
- Screw on
- Loosen / Tighten
- Install
- At right angle
- Drill
- Dowels
- Adjust Set
- Level
- Perpendicular
- Measure Mark
- Visual inspection
- Special-tool
- 2 people required
- Measure
- Clarify questions
- See instructions
- Secure

Installation instructions

Sliding door fittings **Unotec Home**

for wooden doors (max. 40 mm)



Complete-sets (standard model)

Set Unotec Home Art. No.	A mm	B mm	C Each	D mm	E max. mm	F mm	G mm	H max. mm (H = E - F + 25)
USH35-1800EF	1800	770	3	750 - 900	2500	7 - 10	60	2518
USH35-2100EF	2100	613,3	4	910 - 1000	2500	7 - 10	60	2518
USH35-2300EF	2300	680	4	1010 - 1120	2500	7 - 10	60	2518
USH35-2540EF	2540	760	4	1130 - 1250	2500	7 - 10	60	2518

Dimensions in mm - Version 06.2007

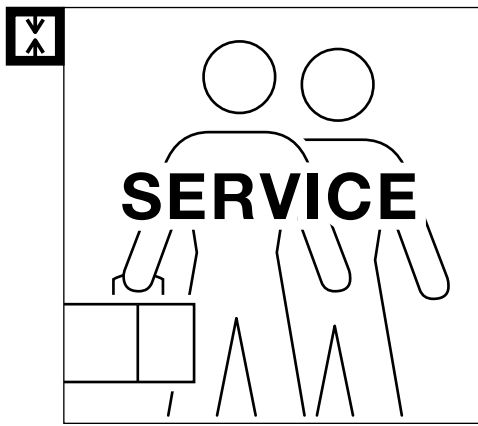


Fig. 1

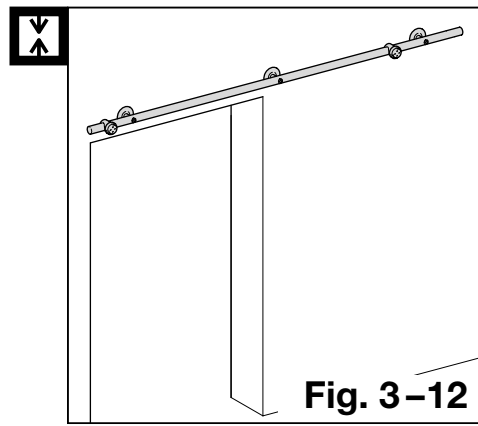


Fig. 3-12

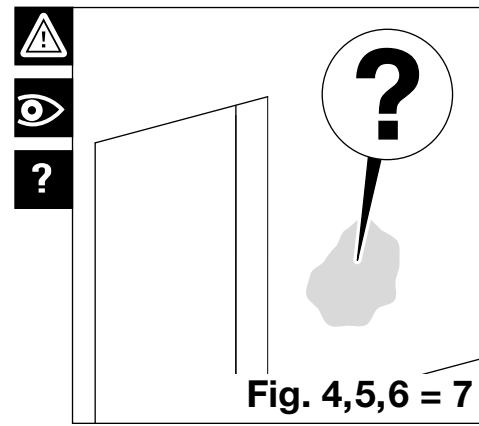


Fig. 4,5,6 = 7

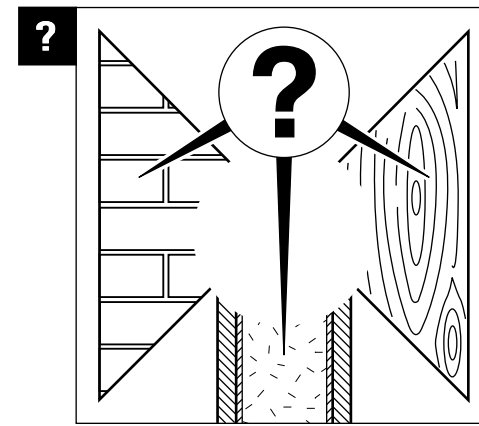


Fig. 4

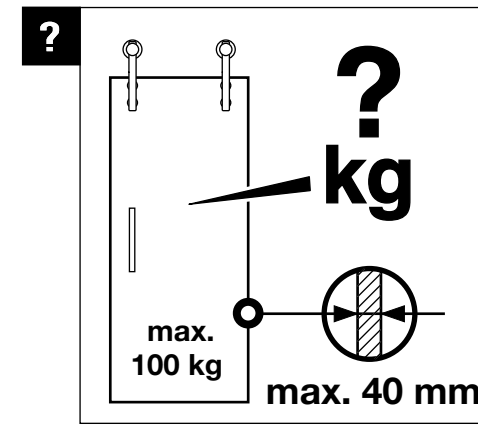


Fig. 5

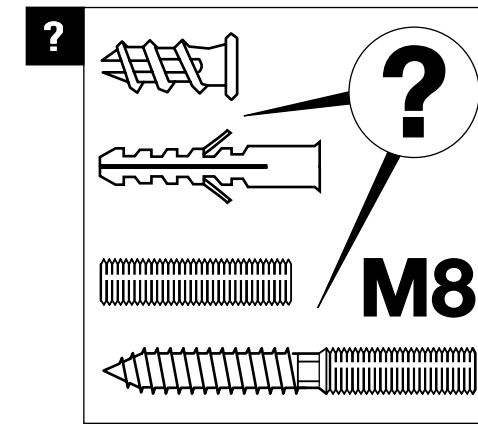


Fig. 6

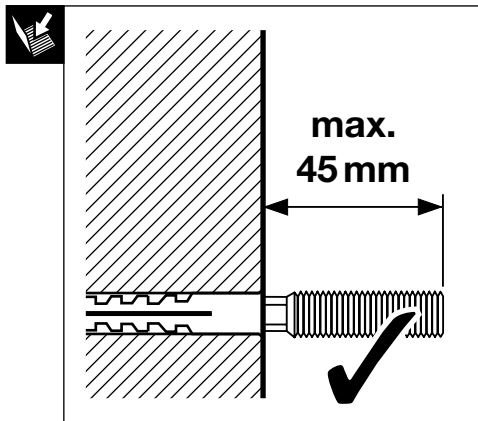


Fig. 7

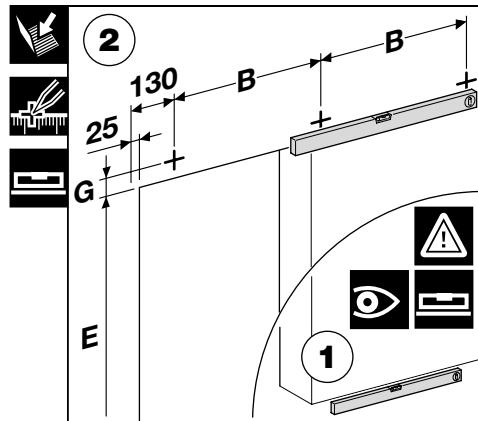


Fig. 8

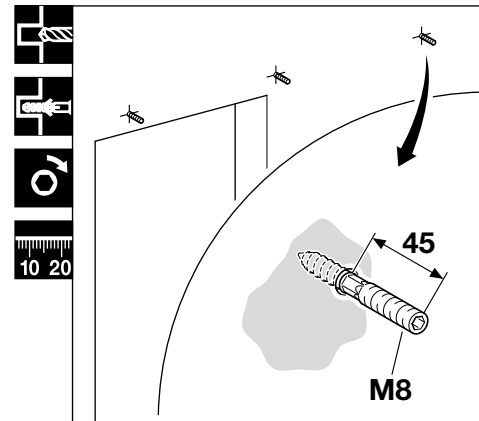


Fig. 9

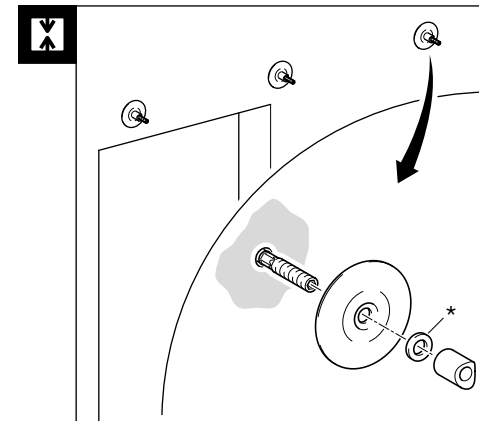


Fig. 10

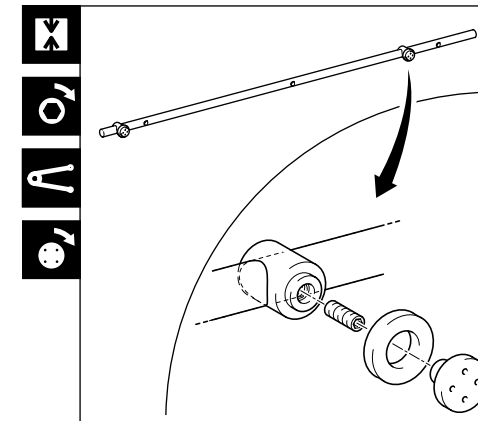


Fig. 11

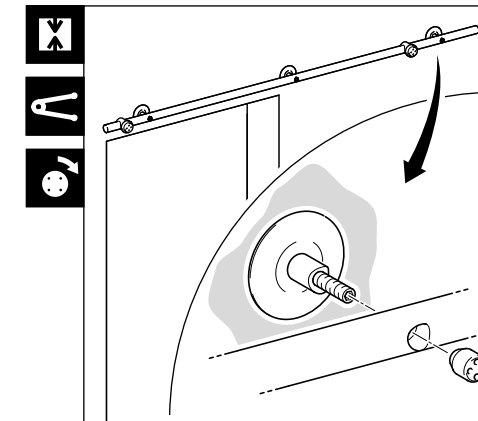


Fig. 12

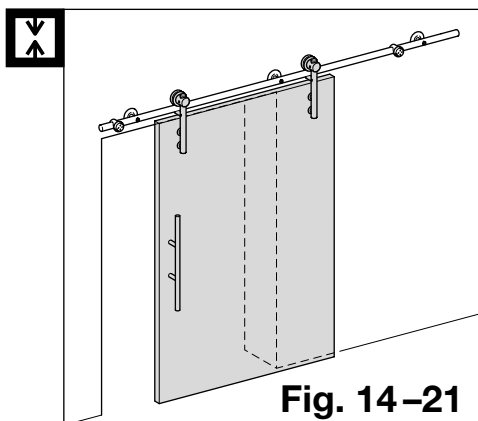


Fig. 13

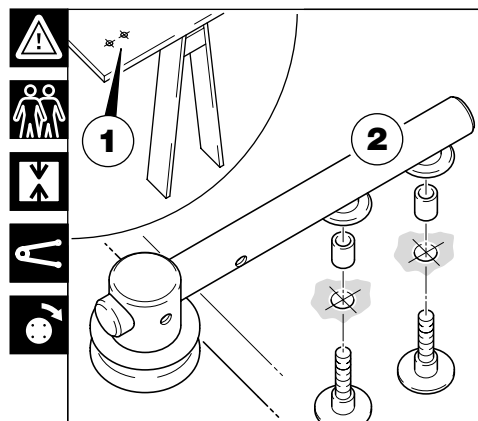


Fig. 14

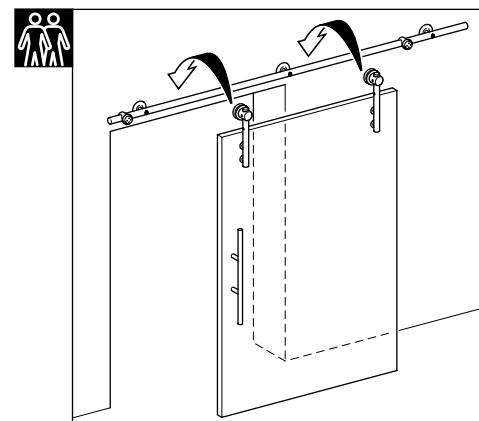


Fig. 15

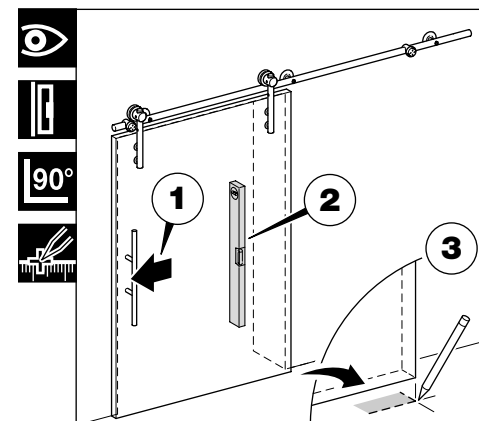


Fig. 16

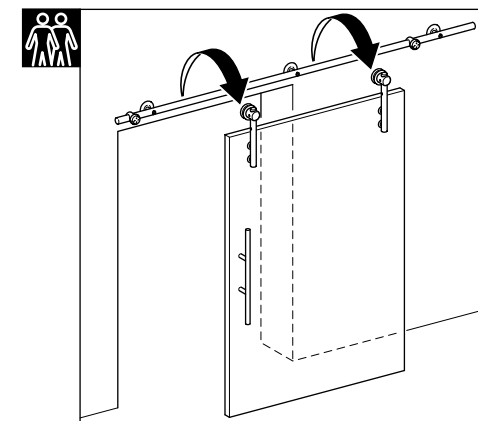


Fig. 17

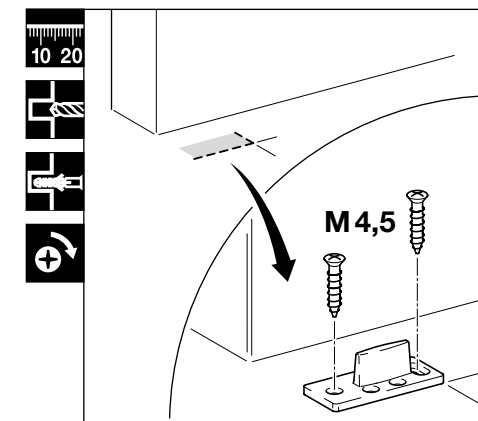


Fig. 18

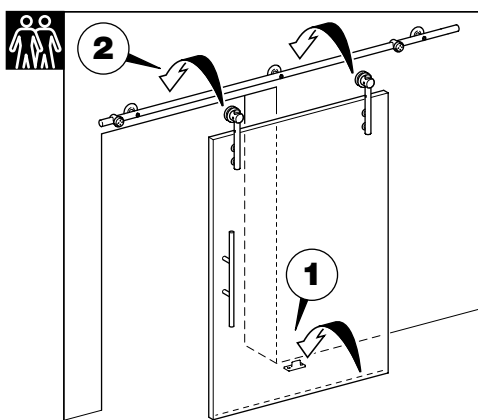


Fig. 19

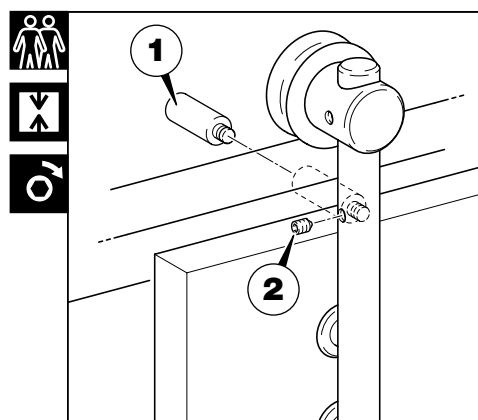


Fig. 20

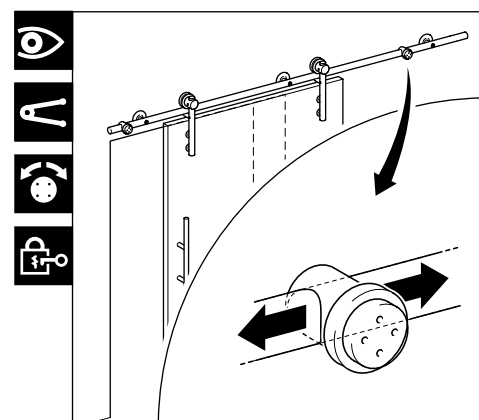


Fig. 21

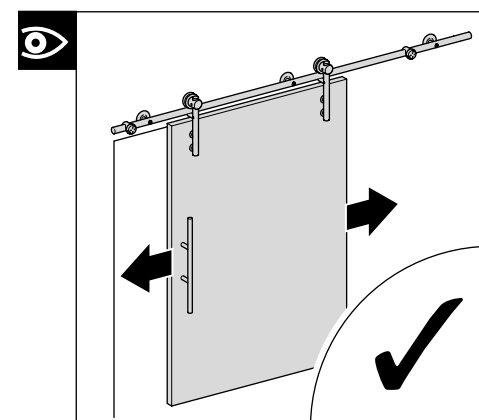


Fig. 22

Installation instructions Sliding door fittings Unotec Home for wooden doors (max. 40 mm)