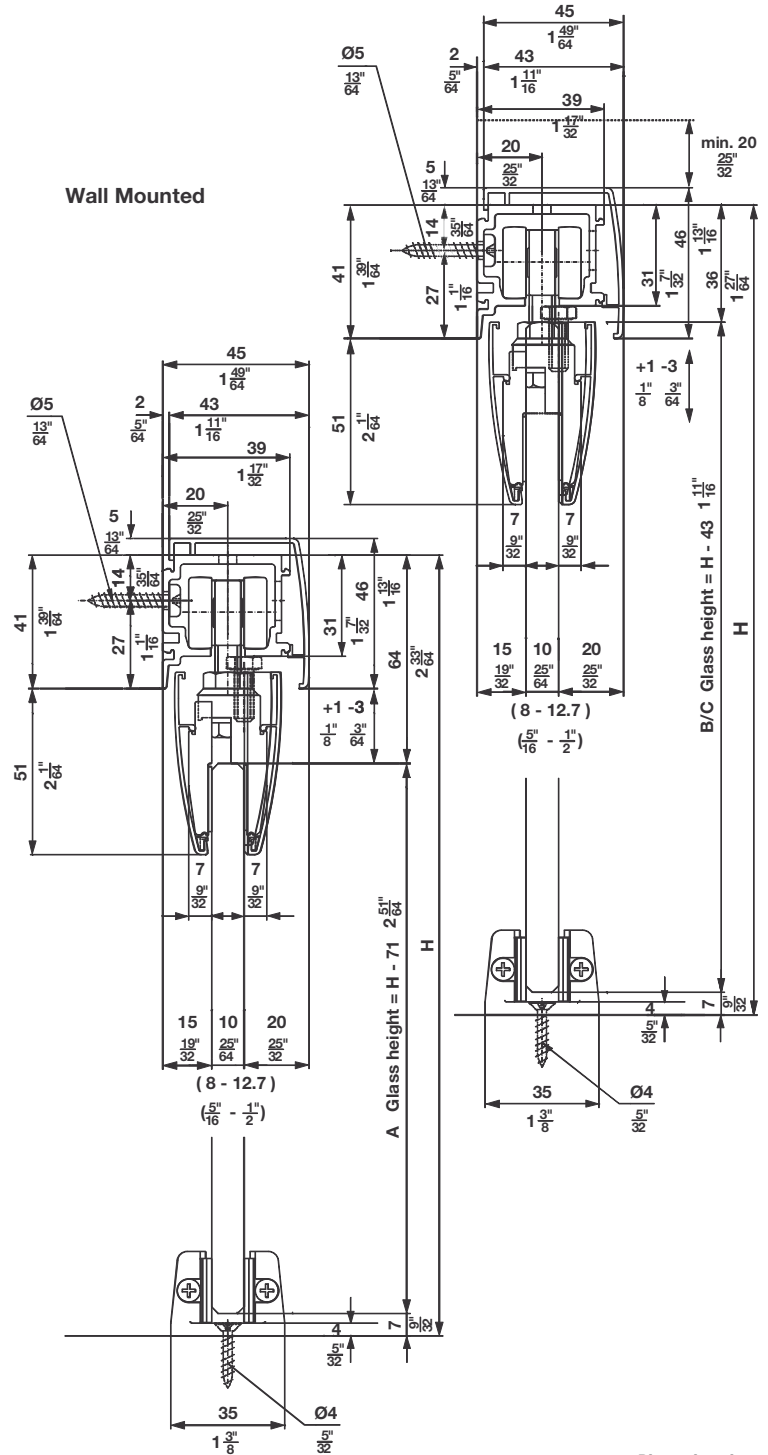


EKU Porta 100 GU

- Maximum track weight: 100 kg (220 lbs.)
- For glass thickness: 8 - 12.7 mm (5/16" - 1/2")
- For 1 and 2 sliding glass doors
- Smooth quiet operation
- Maintenance-free
- Rattle-free bottom guide
- Simple installation
- Vertical adjustment without removing the glass door

Installation Tips

When using 2 sliding doors on the same track, please make sure that glass panels do not collide. Please use a lower guide channel with a door stopper or use protective edge trim.




Dimensional data not binding. We reserve the right to alter specifications without notice.

EKU Porta 100 GU Set

	Item No.
	941.00.007

Individual Components

	Description	Material	Color/Finish	Qty.	Item No.
	Double roller running gear	-	-	2 pcs.	941.00.015
	Suspension bolt, M8 x 32	Steel	zinc-plated	2 pcs.	940.54.021
	Set nut, M8	Steel	zinc-plated	2 pcs.	940.54.022
	Clamp shoe adjustable from 6 - 12.7 (1/4" - 1/2")	Aluminum	mill finish	2 pcs.	941.00.020
	Track stopper, with adjustable retention spring	Plastic	gray	1 pc.	940.60.043
	Track stopper	Plastic	gray	1 pc.	940.60.041
	Floor guide, adjustable from 6 - 12.7 (1/4" - 1/2")	-	-	1 pc.	941.00.031
	Buffer	Rubber	black	1 pc.	940.60.051

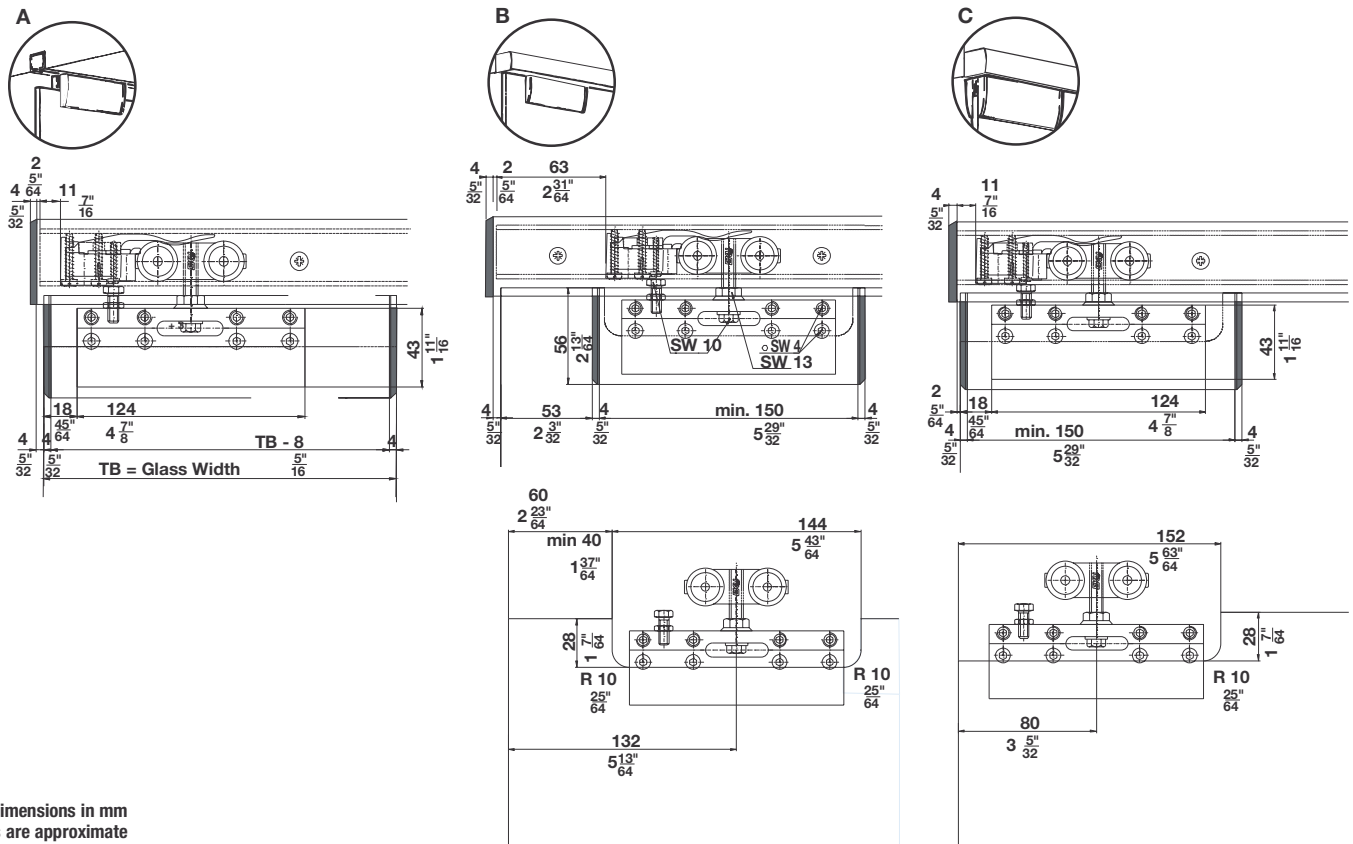
Note

Item numbers are valid for only 1 piece, when ordering individual components please state the desired amount. For 2 bi-parting sliding glass doors please order 2 sets.

Mounting Examples


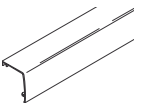
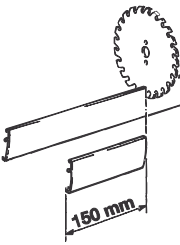
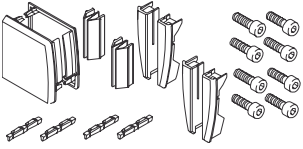

With continuous clip-on fascia, glass cut-outs not required

With short clip-on fascia, glass cut-outs required



Dimensional data not binding. We reserve the right to alter specifications without notice.

Individual Components

	Description	Material	Color/Finish	Length	Item No.
	Upper Tracks, pre-drilled, 41 x 39 (1 39/64" x 1 17/32")	Aluminum	unanodized	2.5 m (8' 2 7/16")	941.00.253
				6 m (19' 8 1/4")	941.00.603
	Clip-on Fascia, to upper track, 46 x 43 (1 13/16" x 1 11/16")	Aluminum	anodized	2.5 m (8' 2 7/16")	941.01.925
				6 m (19' 8 1/4")	941.01.960
	Clip-on Fascia, to clamping shoe, 56 x 10 (2 13/64" x 25/64") Note Has to be cut to size, refer to drawings on page 1.214	Aluminum	anodized	2.5 m (8' 2 7/16")	941.01.625
	End Caps, to clip-on fascia to upper track and clamp shoe Order requirements: Option A 1 set Option B and C 2 sets	Plastic	anthracite	-	941.01.999
	Soft closer 10 – 60 kg (22 – 132 lbs)				940.60.045
	Soft closer 61 – 100 kg (135 – 220 lbs)				940.60.010
	Cover cap for notched service access in track				940.60.094
	Drill jig for notched service access in track				940.60.095

Note

Mounting instructions (included in fitting set) for planning and execution available upon request. Clip-on fascias and end caps can also be used for the Junior 40 and 80/GS sliding systems.

Dimensional data not binding. We reserve the right to alter specifications without notice.

Floor mounted door stop	page 1.206
HAWA Toplock	pages 1.283-1.287

Dimensions in mm
Inches are approximate