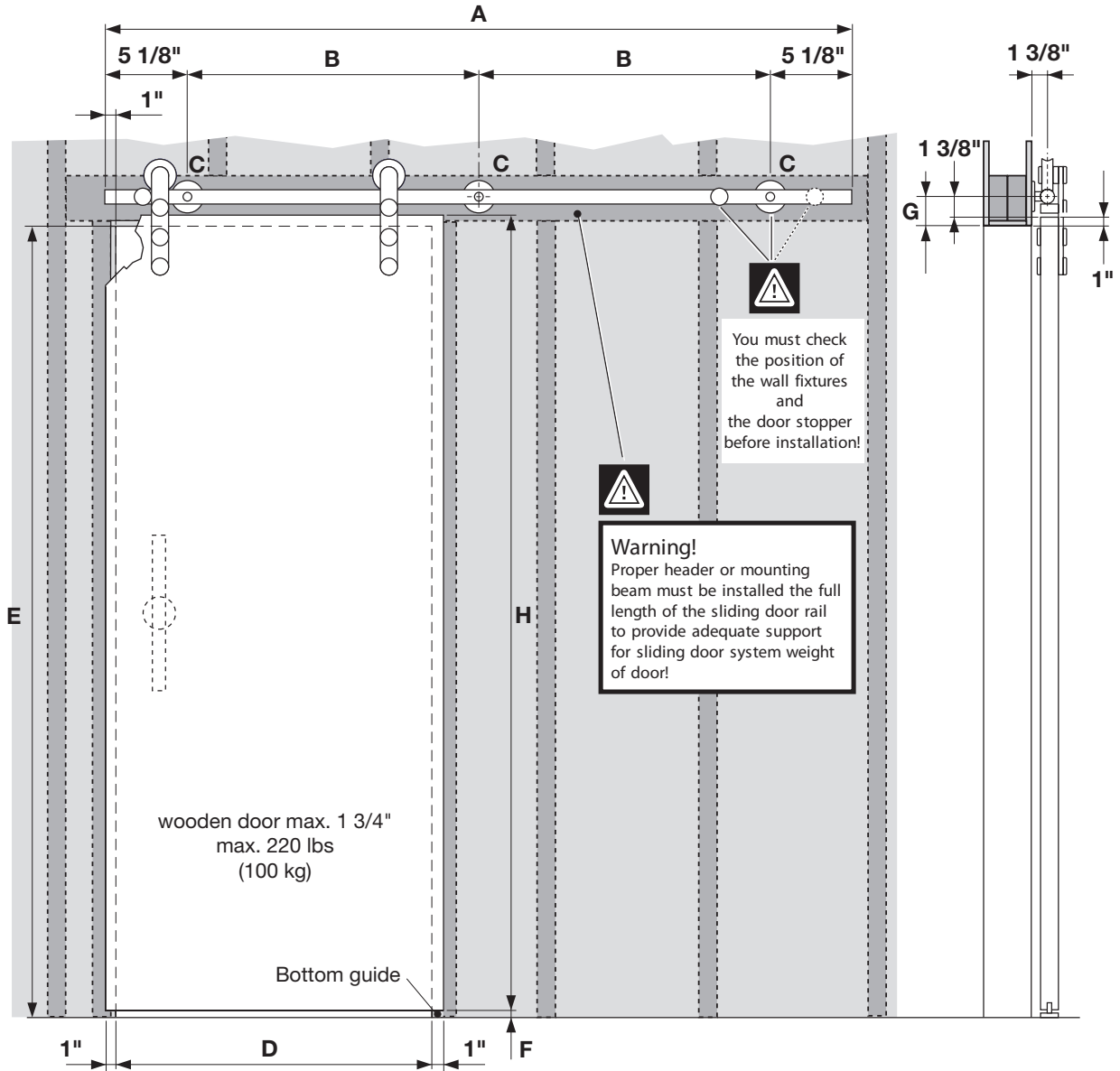


Sliding Door Fittings **Flatec I** Installation for wood doors (max. 1 3/4" thickness)



Complete-sets

Set Flatec I Art. No.	A inch	B inch	C Each	D inch	E max. inch	F inch	G inch	H max. inch (H = E - F + 1")
941.07.005	70 7/8"	30 5/16"	3	29 1/2" - 35 7/16"	98 7/16"	1/4" - 3/8"	2 3/8"	99 1/8"
941.07.006	82 11/16"	24 1/8"	4	35 13/16" - 39 3/8"	98 7/16"	1/4" - 3/8"	2 3/8"	99 1/8"
941.07.007	90 9/16"	26 3/4"	4	39 3/4" - 44 1/16"	98 7/16"	1/4" - 3/8"	2 3/8"	99 1/8"
941.07.008	100"	29 15/16"	4	44 1/2" - 49 3/16"	98 7/16"	1/4" - 3/8"	2 3/8"	99 1/8"

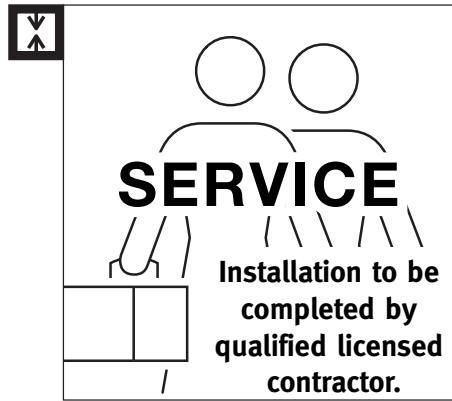


Fig. 1

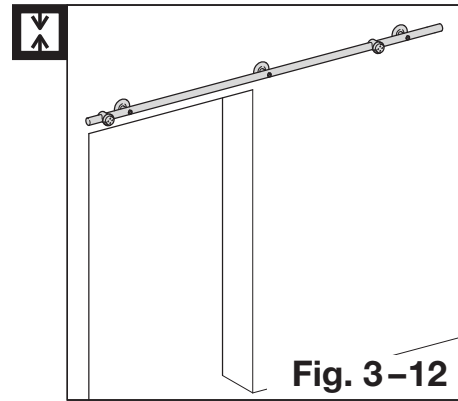


Fig. 3-12

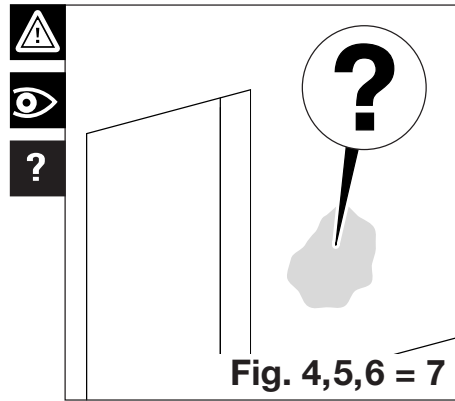


Fig. 4,5,6 = 7

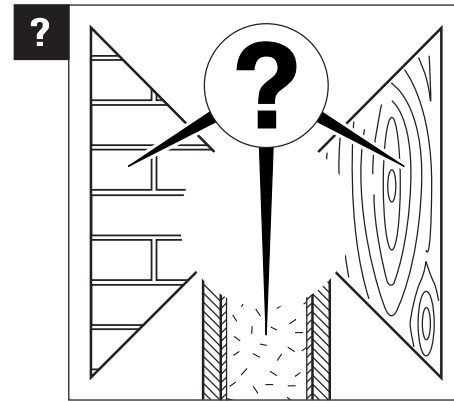


Fig. 4

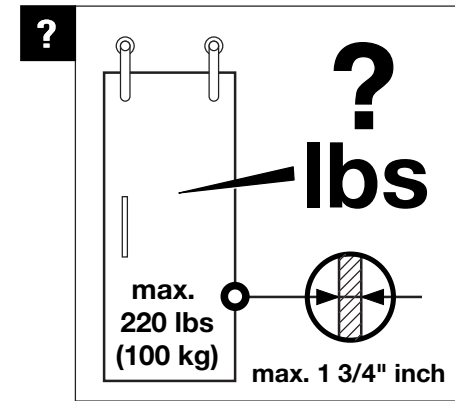


Fig. 5

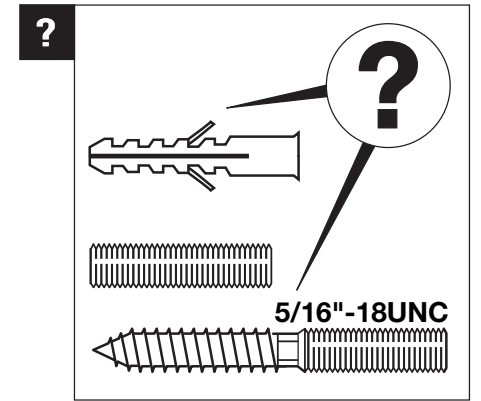


Fig. 6

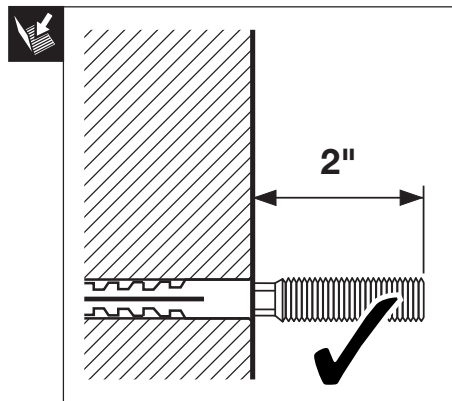


Fig. 7

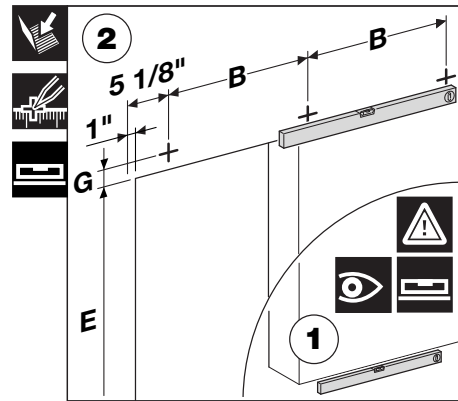


Fig. 8

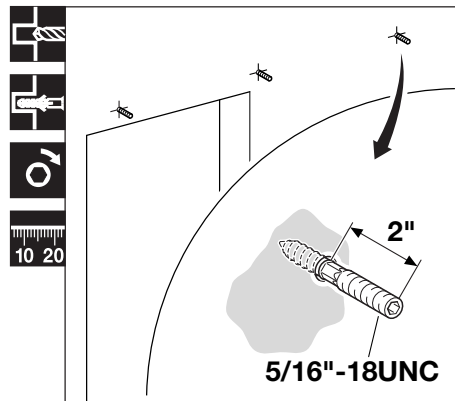


Fig. 9

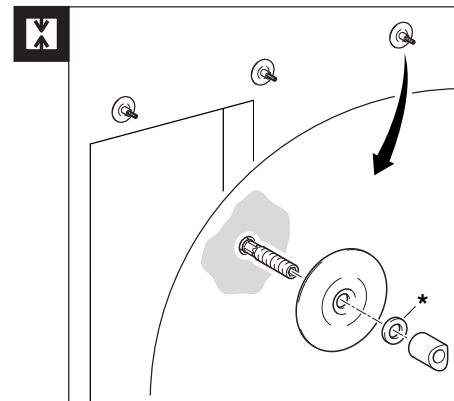


Fig. 10

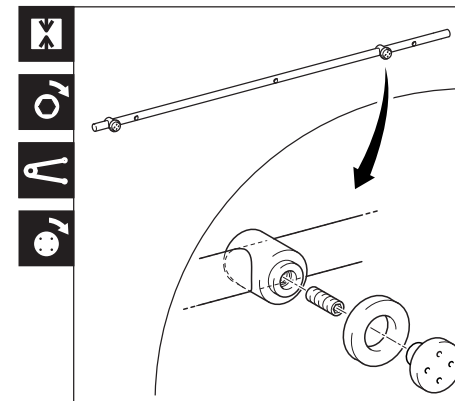


Fig. 11

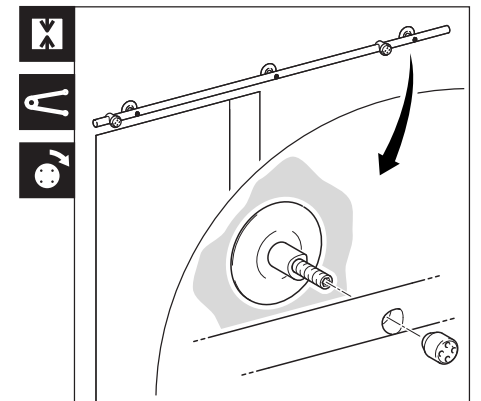


Fig. 12

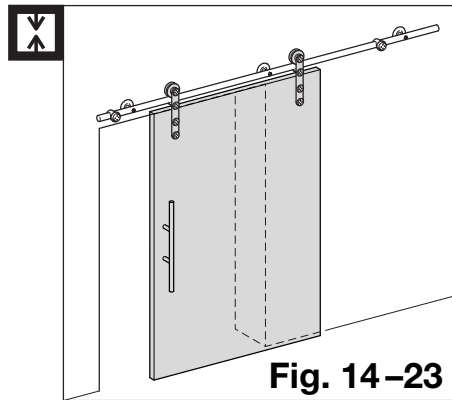


Fig. 14-23

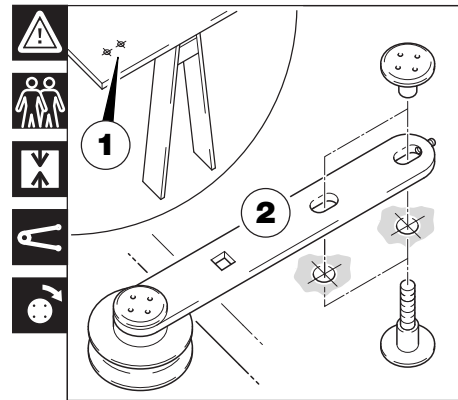


Fig. 14

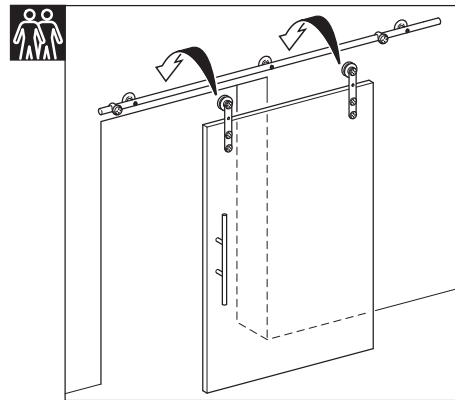


Fig. 15

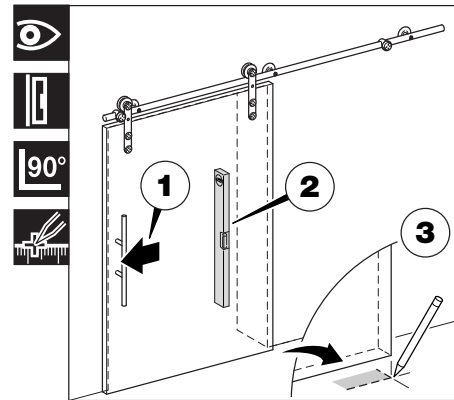


Fig. 16

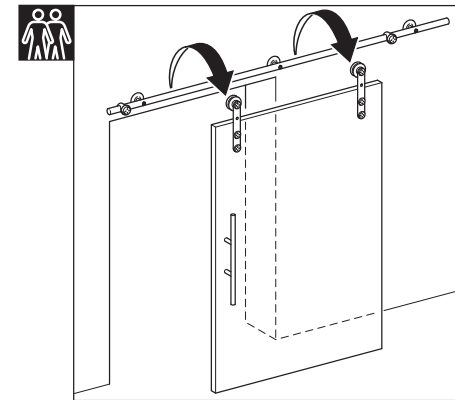


Fig. 17

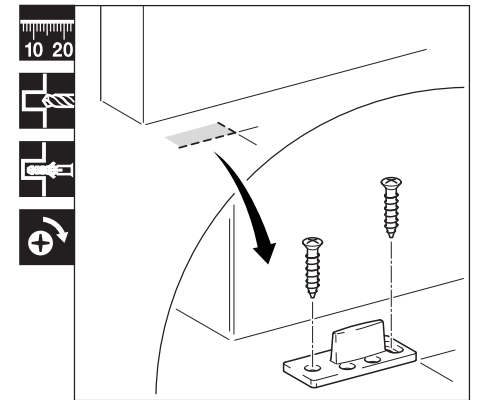


Fig. 18

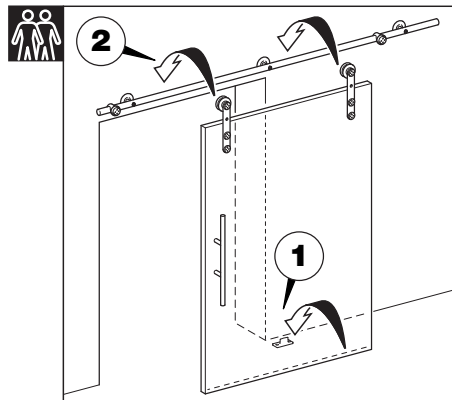


Fig. 19

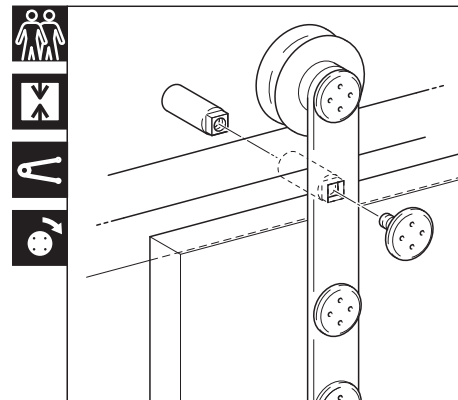


Fig. 20

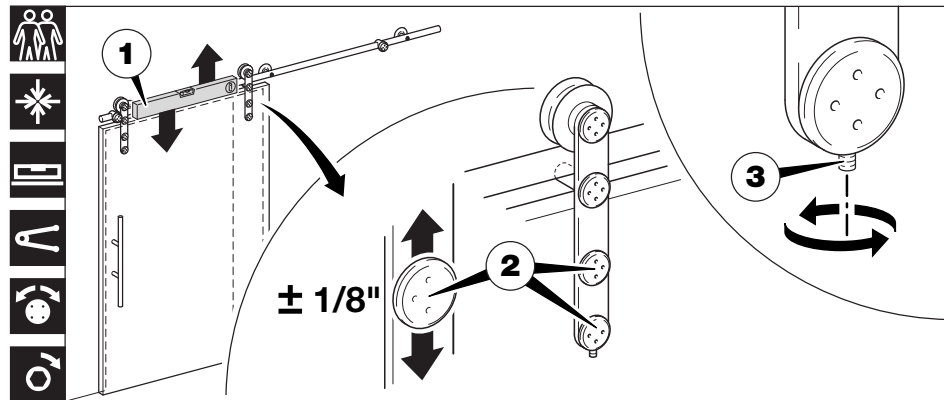


Fig. 21

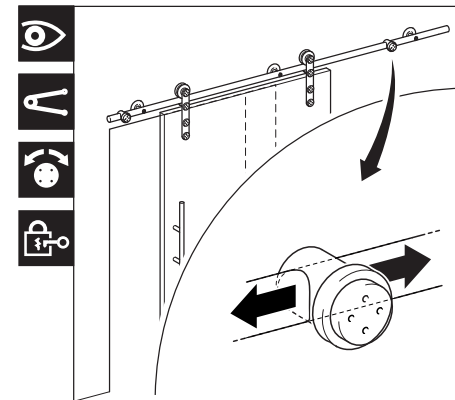


Fig. 22

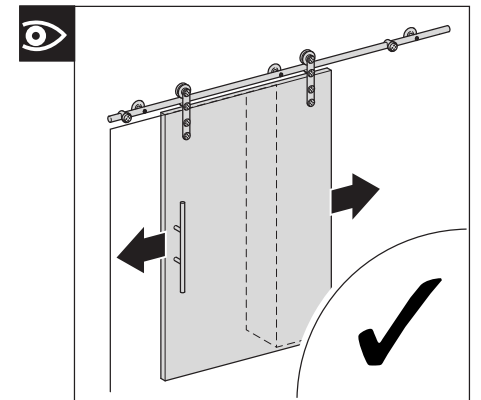
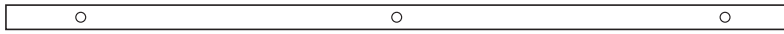


Fig. 23

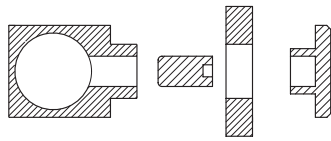
Installation instructions Sliding door fittings Flatec I for wooden doors (max. 1 3/4" thickness)

1 Set sliding door fittings Flatec I

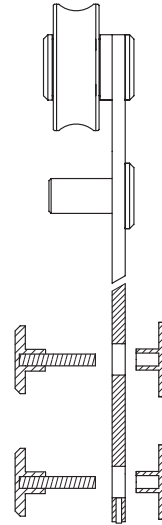
2 Guide rail



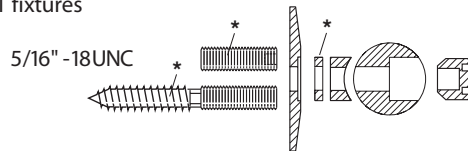
3 Door stoppers



4 Trolley complete



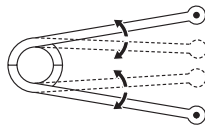
5 Wall fixtures



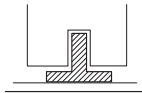
(without screws and dowels, at construction site)

* not included in scope of delivery.

6 Special tool




7 Bottom guide



(without dowels and screws, at construction site)





















Set Flatec I Art. No.	Set / Each						
	1	2	3	4	5	6	7
941.07.005	1	2	2	3	1	1	
941.07.006	1	2	2	4	1	1	
941.07.007	1	2	2	4	1	1	
941.07.008	1	2	2	4	1	1	

 Comply with all general safety regulations when installing the sliding door fittings!

Installation to be completed by qualified licensed contractor.

Be sure to tighten all screw connections one week after starting to use the sliding door fittings!

Never use scouring agents to clean the sliding door fittings; rather use commercially available stainless-steel cleaners!

-  Attention
-  Screw on
-  Screw on
-  Screw on
-  Loosen / Tighten
-  Install
-  90° At right angle
-  Drill
-  Dowels
-  Adjust Set
-  Level
-  Perpendicular
-  Measure Mark
-  Visual inspection
-  Special-tool
-  2 people required
-  Measure
-  Clarify questions
-  See instructions
-  Secure