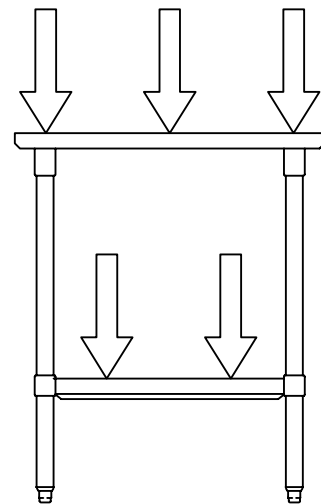
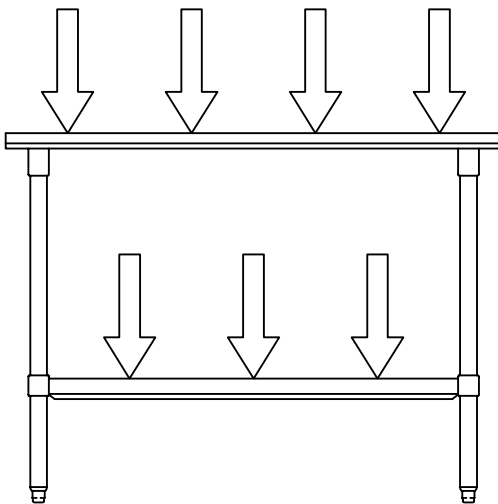
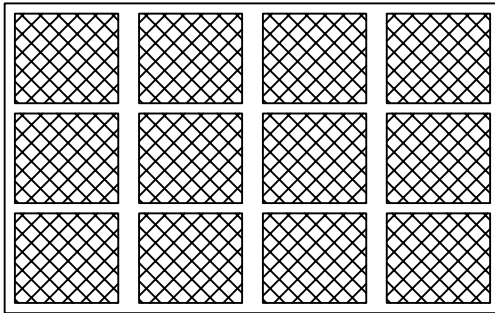




LOAD RATINGS

ALL LOAD RATINGS ARE CALCULATED TO BE EVENLY DISTRIBUTED LOADS.



WALL SHELVES					
BHS, EWS8					
LENGTH	SUPPORT QTY	SUPPORT DISTANCE	WEIGHT CAPACITY (lbs.)		
			18GA	16GA	14GA
24	2	24	80	100	120
36	2	36	70	87.5	105
48	2	48	60	75	90
60	2	60	50	62.5	75
72	3	36	90	112.5	135
84	3	42	80	100	120
96	3	48	70	87.5	105
108	4	36	110	137.5	165
120	4	40	100	125	150
132	4	44	90	112.5	135
144	4	48	80	100	120

***ALL WEIGHT CAPACITIES ARE BASED ON EVENLY DISTRIBUTED LOADS WITH A MAX DEFLECTION OF 1/4"**