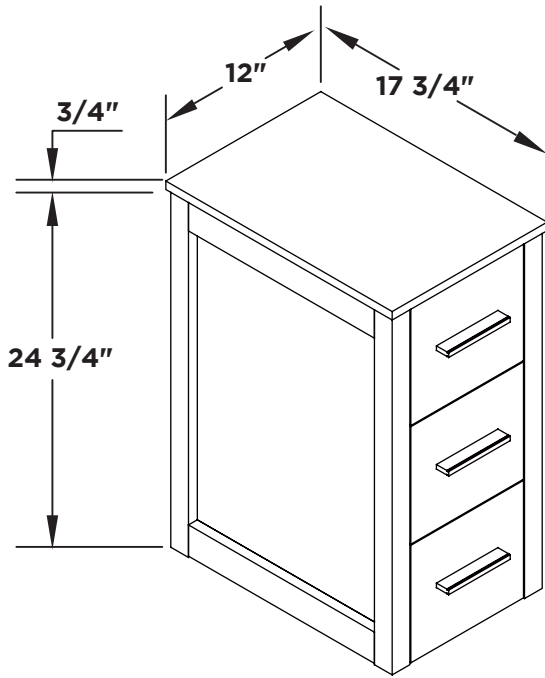
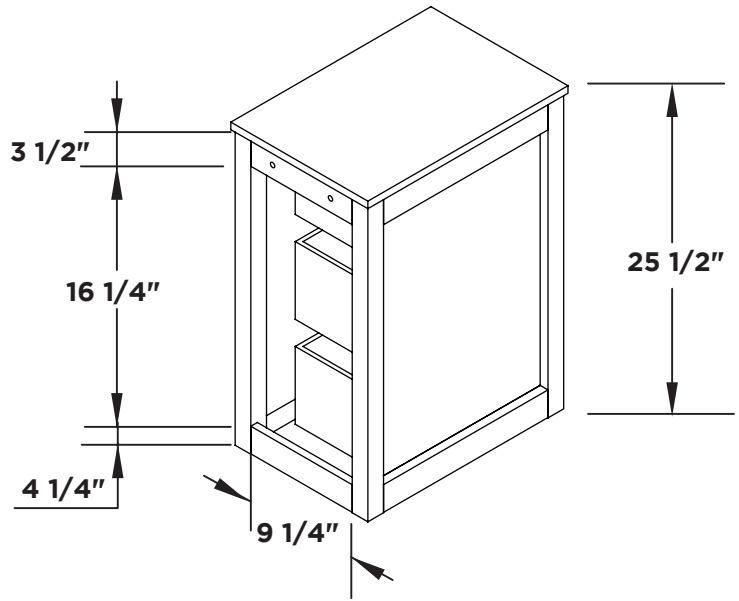


Cabinet Front

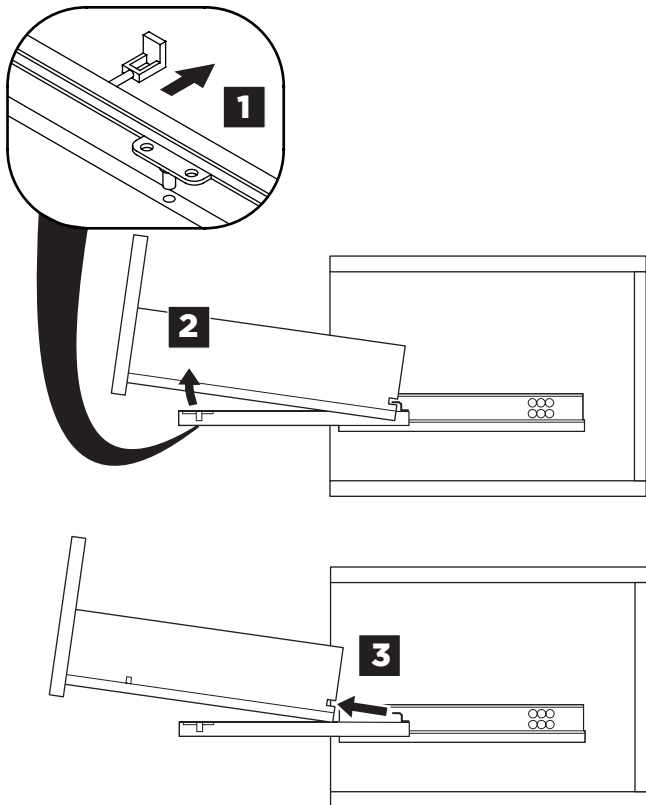


Cabinet Back

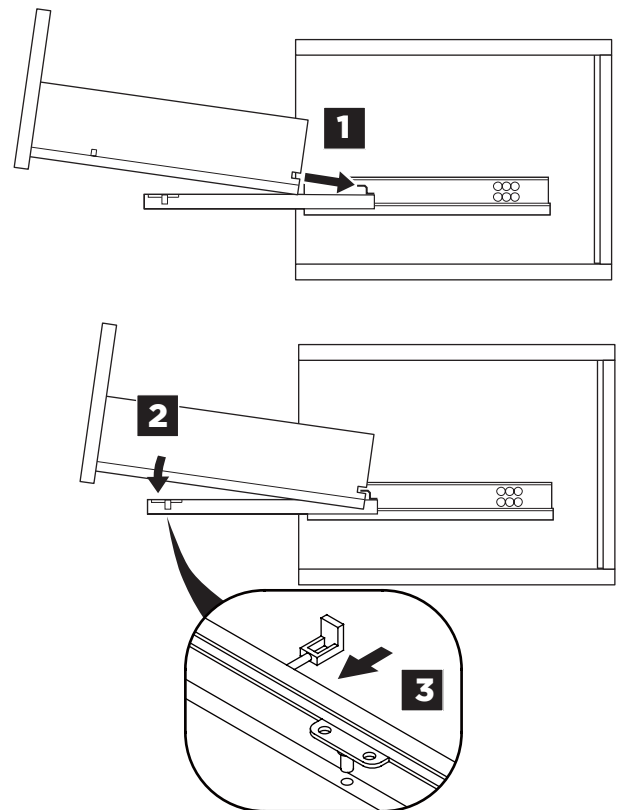


DRAWER REMOVAL & INSTALLATION

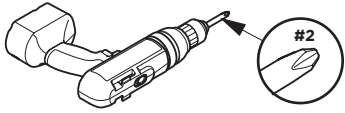
REMOVAL



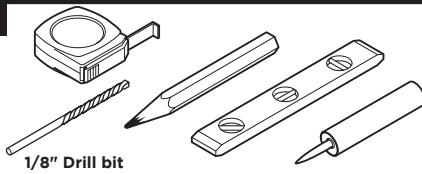
INSTALLATION



TOOLS FOR ASSEMBLY



#2



1/8" Drill bit

2

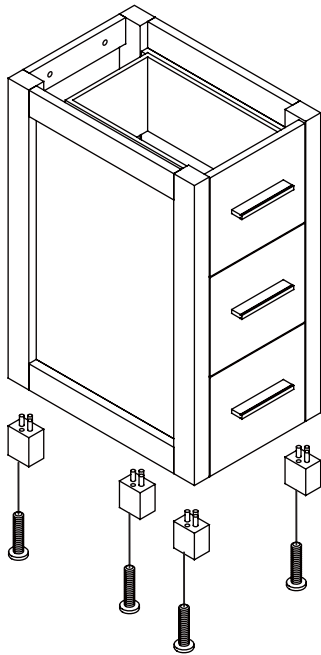
Remove cabinet drawer

3

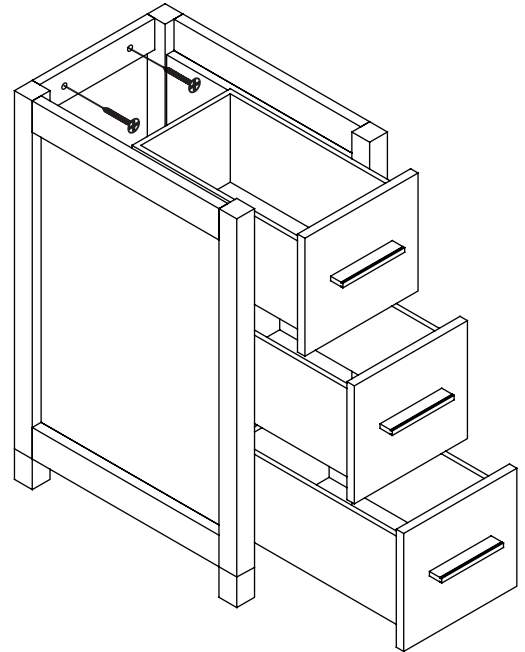
Install cabinet

1

Install leg



IMPORTANT: Consult an expert for the proper screws/bolts to use when attaching to various wall constructions. Screws provided do not attach to all wall construction types.



4

Install cabinet top panel

