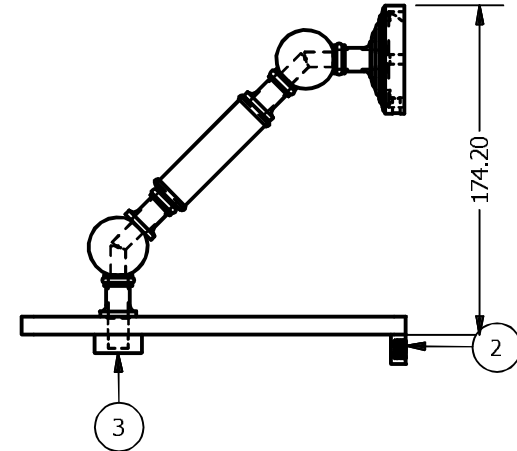
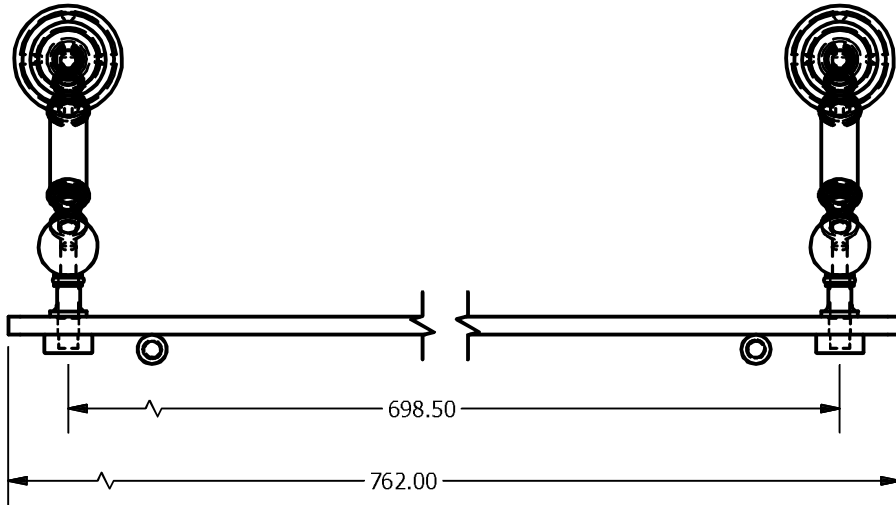
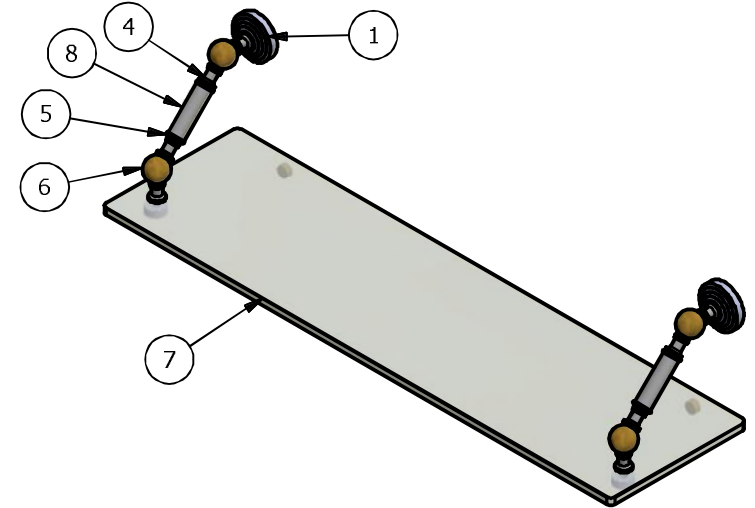
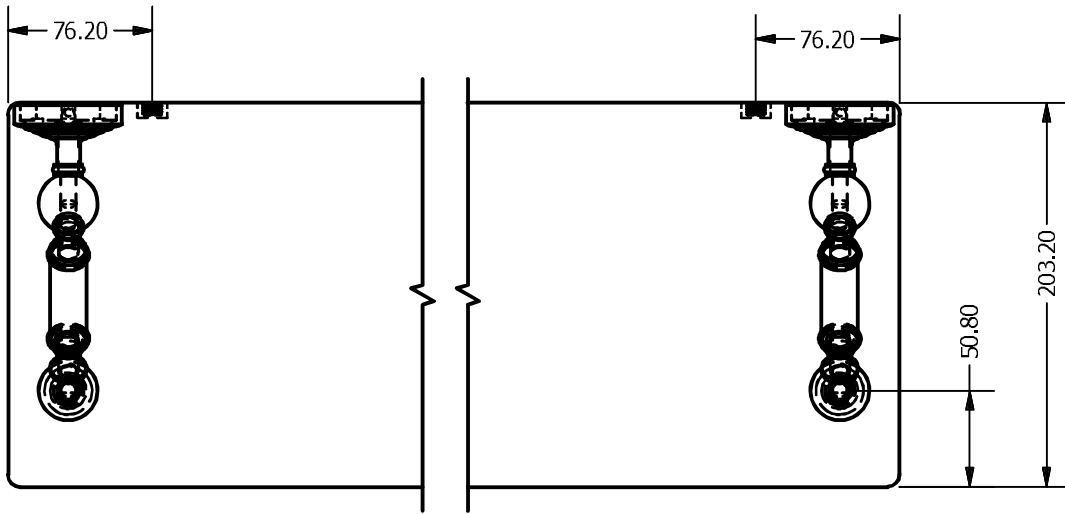


2

1



**APPROVED FOR PRODUCTION**

By: RICHARD PAUL  
Date: 9-21-18

UNLESS OTHERWISE SPECIFIED

.X ±.3mm

.XX ±.15mm

.XXX ±.008mm

UNIT IS IN MM.

COPYRIGHT @ALLIEDBRASS 2018



THIRD ANGLE PROJECTION

DRAWN 9-21-18 IM

CHECKED 9-21-18 P.D.

APPROVED 9-21-18 R.A.

MATERIAL: BRASS

DESCRIPTION:

Waverly Place Collection  
30 Inch Floating Glass Shelf



FINISH TBD

QTY TBD

DRAWING NO.

WP-1-30

REV

0

SCALE 1.5:1 SHEET: 1 OF 1 A4

WP-1-30			
ITEM	QTY	PART NUMBER	DESCRIPTION
1	2	BPWV	BACKPLATE
2	2	CARD-58	CAP
3	2	CARD-1	CAP
4	8	NKSL-78	7/8 Inch Neck Slip Fitting X .75 Inch Diameter
5	4	CRRD-34	CHECK RING
6	4	BL2TD-135-1.25	2 TAP FOR GLASS SHELF
7	1	GLRT-8X30	GLASS
8	2	TU-34-2.5	TUBE

2

1