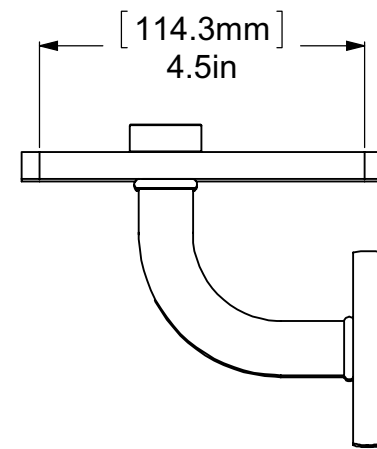
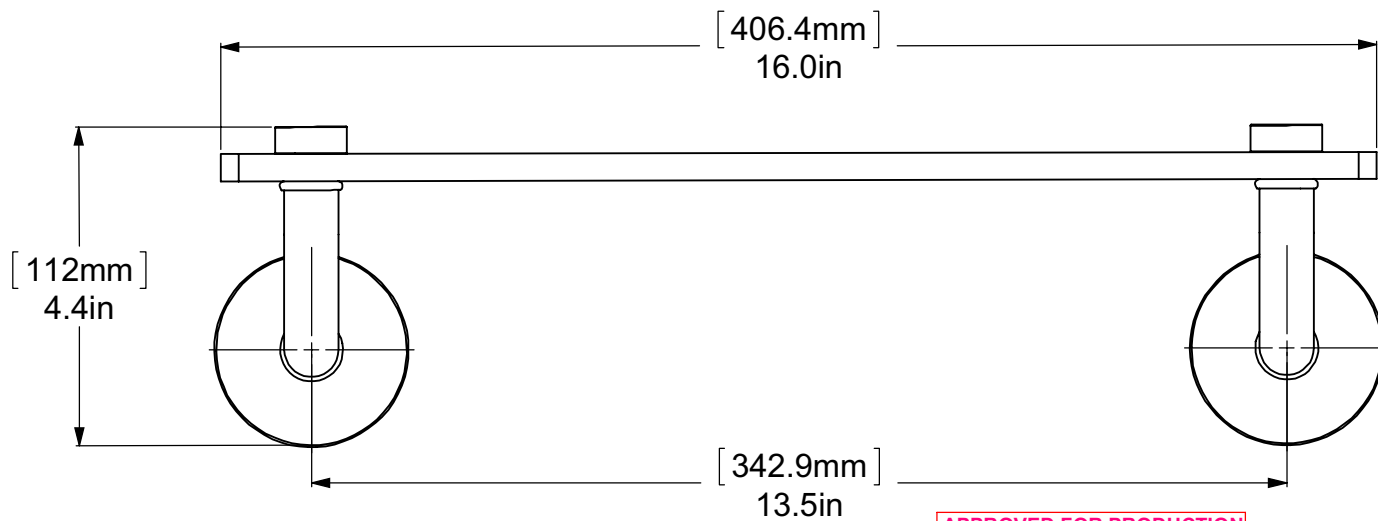


ITEM NO.	P/N	DESCRIPTION	QTY.
1	BPRD	BACKPLATE	2
2	SWELB-3	TUBE	2
3	CRRD-34	CHECK RING	4
4	GLRT-16	GLASS	1
5	CARD-1	END LOCK	2



NOTE:
UNIT IS MM.

UNLESS OTHERWISE STATED	
.X	±.3mm
.XX	±.15mm
.XXX	±.008mm

COPYRIGHT © Allied Brass 2016



APPROVED FOR PRODUCTION
BY: RICHARD PAUL
DATE: 1/24/2017

DRAWN	1/24/2017	I.M
CHECKED	1/24/2017	P.D
APPROVED	1/24/2017	R.A

MATERIAL:	BRASS
DESCRIPTION:	SHELF



FINISH	TBD
QUANTITY	TBD
DRAWING No.	RM-1-16
REV	0
SCALE	1:2.5
SHEET: 01	A4