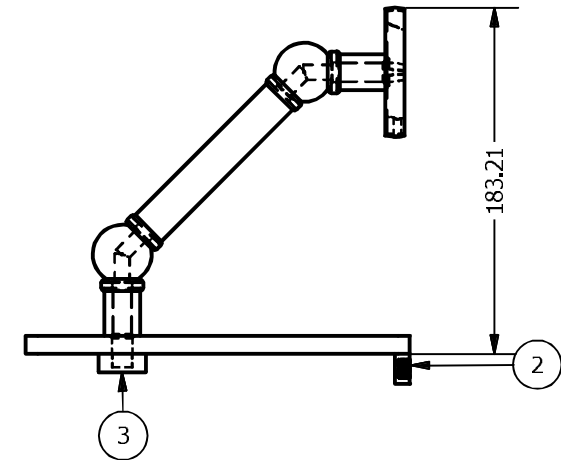
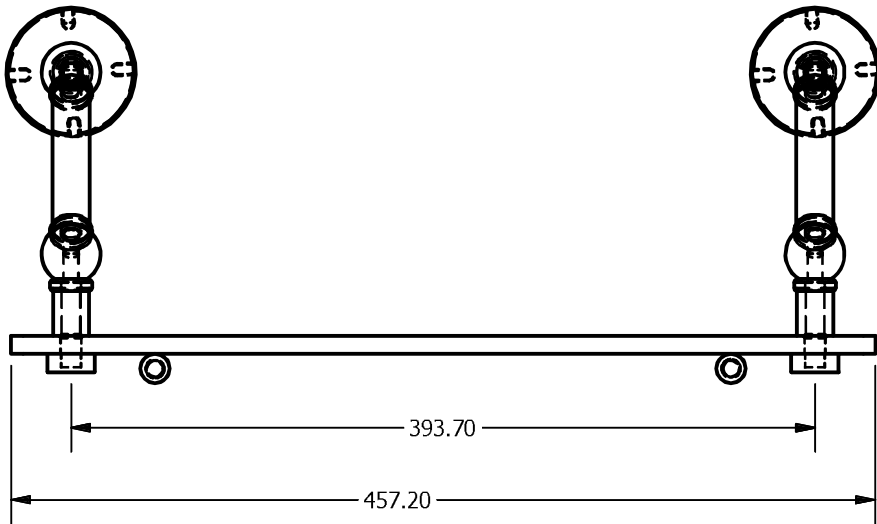
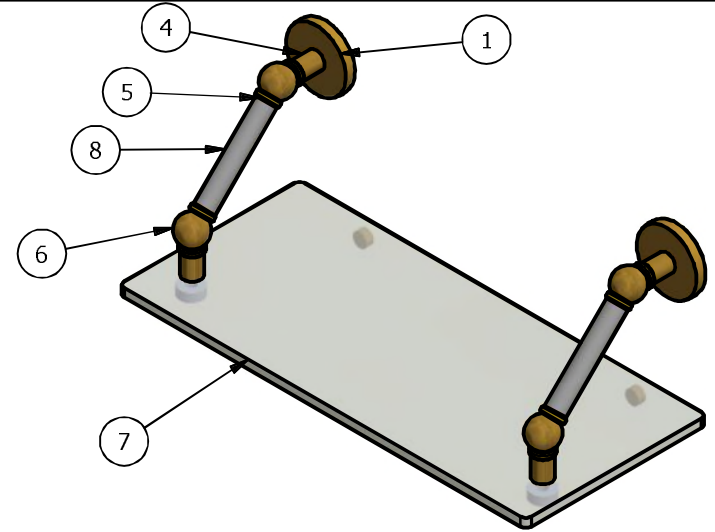
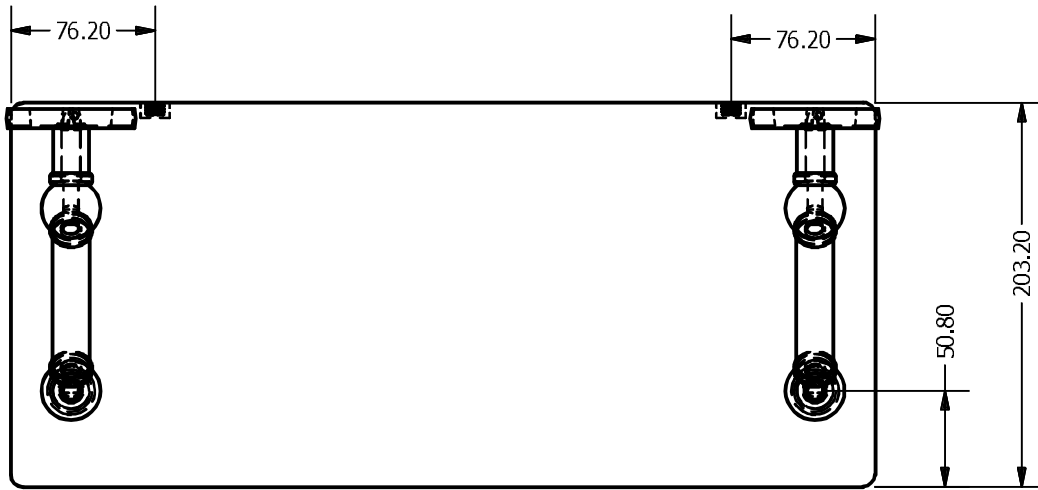


2

1



PQN-1-18			
ITEM	QTY	PART NUMBER	DESCRIPTION
1	2	BPRD	BACKPLATE
2	2	CARD-58	CAP
3	2	CARD-1	CAP
4	4	PSRD-1	Neck
5	8	CRRD2-34	DOUBLE CHECK RING
6	4	BL2TD-135-1.25	2 TAP FOR GLASS SHELF
7	1	GLRT-8X18	GLASS
8	2	TU-34-4	TUBE

**APPROVED FOR PRODUCTION**

By: RICHARD PAUL  
Date: 9-21-18

UNLESS OTHERWISE SPECIFIED	
.X	± .3mm
.XX	± .15mm
.XXX	± .008mm

UNIT IS IN MM.

DRAWN	9-21-18	IM	MATERIAL:	BRASS
CHECKED	9-21-18	P.D.	DESCRIPTION:	
APPROVED	9-21-18	R.A.	Prestige Skyline Collection 18 Inch Floating Glass Shelf	



THIRD ANGLE PROJECTION



FINISH	TBD
QTY	TBD
DRAWING NO. <b>P1000-1-18</b>	
SCALE	1.5:1 SHEET: 1 OF 1
REV	0

2

1