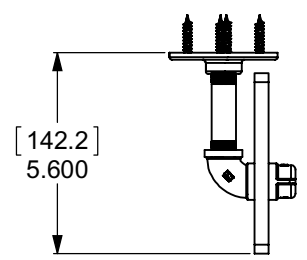
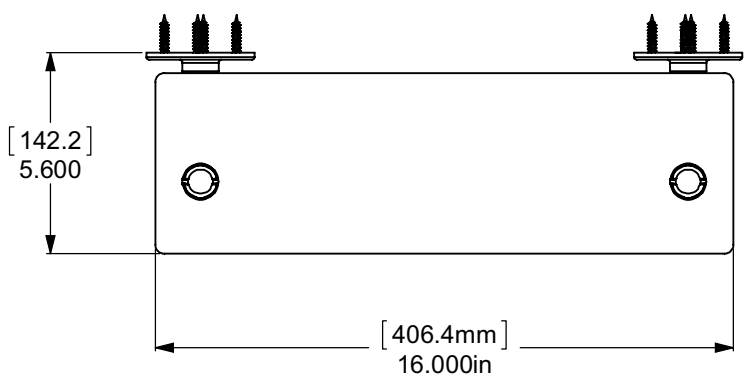
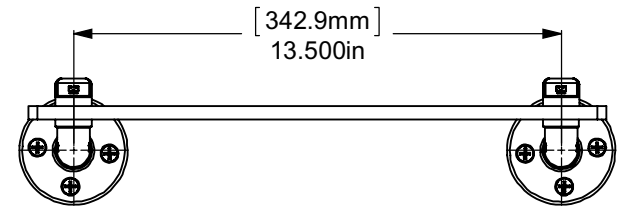
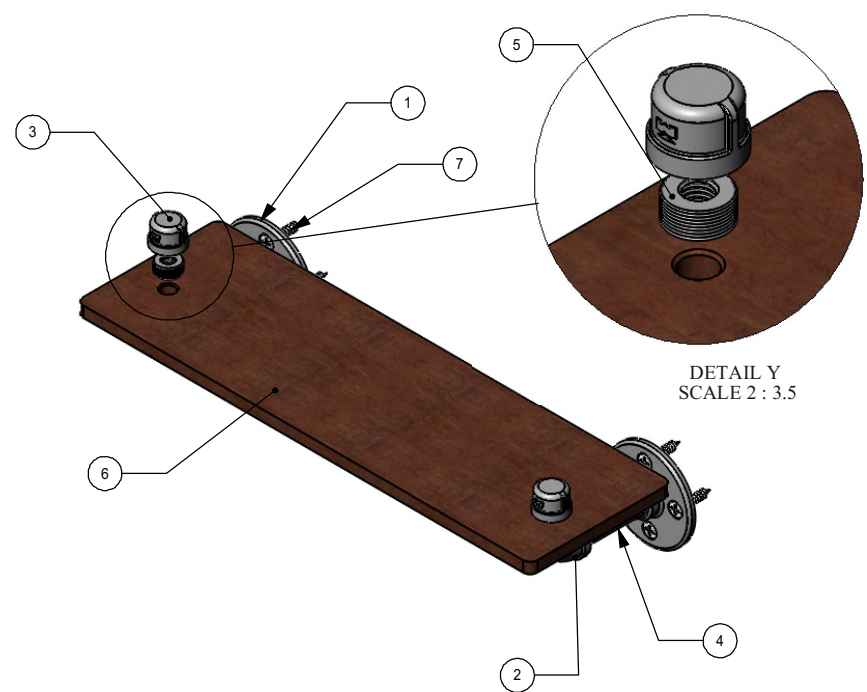


ITEM NO.	PART NUMBER	DESCRIPTION	QTY.
1	PIPE-FL38-3	3/8" FLANGE	2
2	PIPE-EL38-90	3/8" 90 DEG. ELBOW	2
3	PIPE-CAP-38	3/8" CAP	2
4	PIPE-NIP38-2.5	3/8 2 1/2" NIP	2
5	BUS-38X18	3/8" BUSHING	4
6	IRWRT-16	IPE SHELF 16"	1
7	WOOD SCREW-12	#12 WOOD SCREW	8



UNLESS OTHERWISE STATED	
.X	±.3mm
.XX	±.15mm
.XXX	±.008mm

COPYRIGHT © Allied Brass 2017



DRAWN	5/27/2017	I.M
CHECKED	5/27/2017	P.D
APPROVED	5/27/2017	R.A

MATERIAL: BRASS
DESCRIPTION: Pipeline Collection Ironwood Shelf



APPROVED FOR PRODUCTION
BY: RICHARD PAUL
DATE: 5/27/2017

FINISH	TBD
QUANTITY	TBD
DRAWING No.	REV
P-450-16-WS	0
SCALE	SHEET: 01
1:5	A4