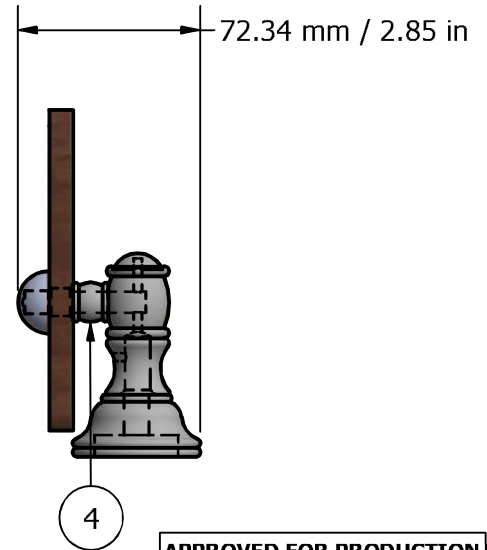
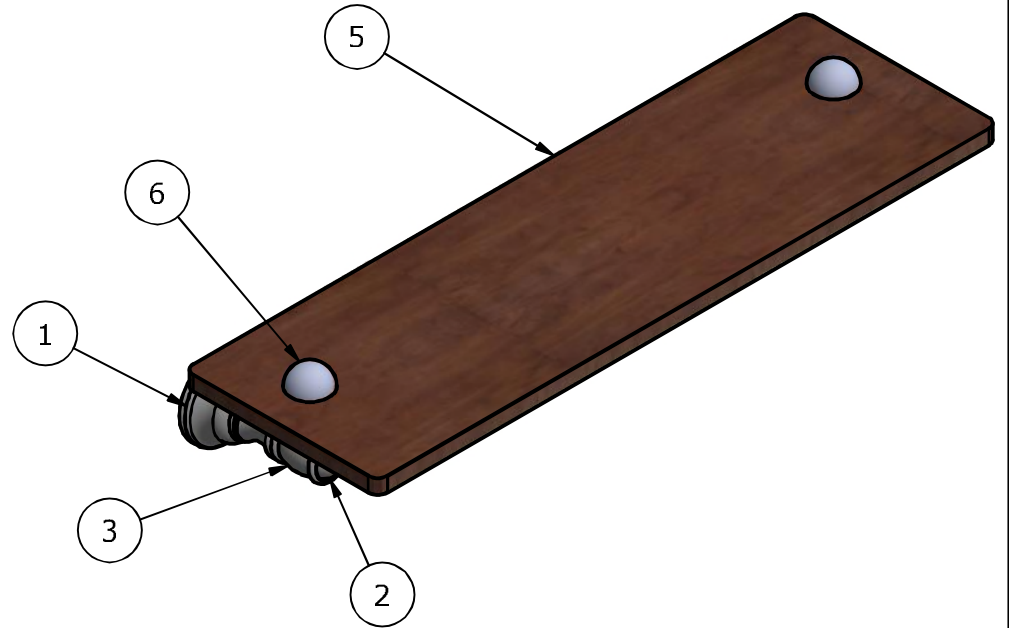


PARTS LIST			
ITEM	QTY	PART NUMBER	DESCRIPTION
1	2	TBBS-2	BACKPLATE
2	3	CL-CAP	CAP
3	3	TSPS-2	POST
4	2	PSRD-78	HUB
5	1	IRWRT-16	16" IPE SHELF
6	2	CAHR-1	CAP



APPROVED FOR PRODUCTION
 By: RICHARD PAUL
 Date: 12-19-18

UNLESS OTHERWISE SPECIFIED	
.X	±.3mm
.XX	±.15mm
.XXX	±.008mm

UNIT IS IN MM.

DRAWN 12-19-18 IM	MATERIAL: BRASS	FINISH: TBD
CHECKED 12-19-18 P.D.	DESCRIPTION:	QTY: TBD
APPROVED 12-19-18 R.A.	Carolina 16 Inch Walnut Shelf	DRAWING NO. CL-1-16-IRW
THIRD ANGLE PROJECTION		REV 0
	SCALE 1.5:1	SHEET: 1 OF 1 A4

2

1