
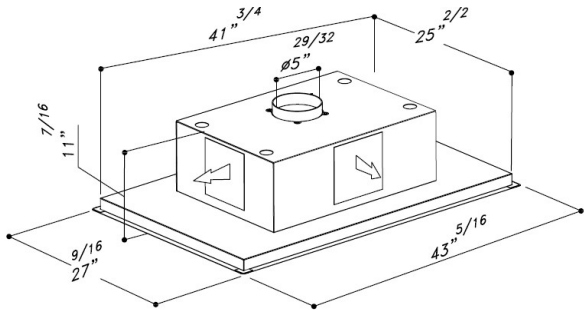





PRODUCT SHEET

MODEL	SUT968
PICTURE	
LINE DRAWING	
DIMENSIONS	28"x44"
MOTOR	MOTOR ON BOARD ALUMINIUM DIE-CAST HOUSING Airflow: 600 CFM Pressure: 680 Pa Noise Level: 64 dB(A) 
LIGHTING	LED BAR 2x 5W 4200°K 
CONTROL PANEL	REMOTE CONTROL 4 speeds + timer + light 
GREASE FILTER	ANODIZED ALUMINIUM (5+1 LAYERS)
MATERIAL	STAINLESS STEEL AISI430
AIR OUTLET	6" ROUND in 30" ver.
DISCHARGE	VERTICAL and HORIZONTAL
ACCESSORIES	CHARCOAL FILTERS KF30 US