
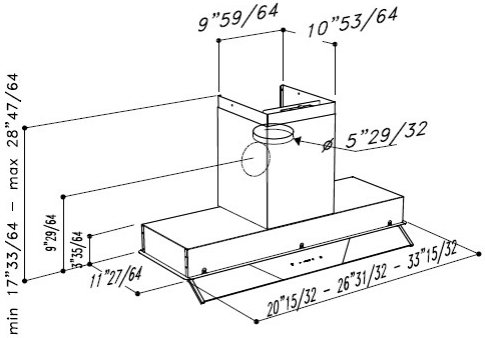


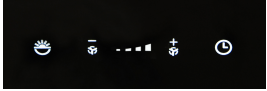


| | |
|---------------|---|
| MODEL | SUE919 |
| PICTURE |  |
| LINE DRAWING |  |
| DIMENSIONS | 20" or 27" or 34" |
| MOTOR | <p>MOTOR ON BOARD ALUMINIUM DIE-CAST HOUSING</p> <p>Airflow: 375 CFM Pressure: 430 Pa Noise Level: 57 dB(A)</p>  |
| LIGHTING | <p>LED BAR</p> <p>20" ver. 1x 6.5W 4200°K 27" ver. 1x 10.5W 4200°K 34" ver. 1x 10.5W 4200°K</p>  |
| CONTROL PANEL | <p>TOUCH CONTROL 4 SPEEDS LIGHT SWITCH TIMER</p>  |
| GREASE FILTER | ANODIZED ALUMINIUM FILTERS (5+1) |
| MATERIAL | STAINLESS STEEL AISI430 |
| AIR OUTLET | 6" ROUND |
| DISCHARGE | VERTICAL and HORIZONTAL |
| CUT OUT | <p>20" ver. 10"7/16 x 19"39/64 27" ver. 10"7/16 x 26"3/16 34" ver. 10"7/16 x 32"7/8</p> |
| ACCESSORIES | <p>CHARCOAL FILTERS:</p> <p>1 pcs KF30 US ver. SUTC919 20" 2 pcs KF8 US ver. SUTC919 27"and SUTC919 34"</p> |