



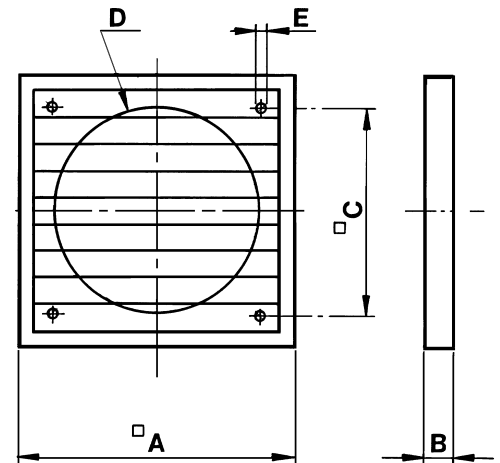
The World's Leading Producer of
Air Movement Products

PER-W - Plastic Louvre Shutter

Backdraft louvre shutter to be installed at the fan discharge.

Dimensions inches/mm

| Model | A | B | C | D | E |
|----------|---------------|-------------|---------------|---------------|----------|
| PER-100W | 4-5/6 123 | 1/2 12 | 3-1/2 90 | 3-6/7 98 | 1/6 4 |
| PER-125W | 6-2/9 158 | 3/5 15 | 4-1/3 110 | 5-1/8 130 | 1/6 4 |
| PER-160W | 7 178 | 4/5 20 | 5-1/8 130 | 6 152 | 1/6 4 |
| PER-200W | 9-4/7 243 | 5/6 21 | 7-1/4 184 | 8 205 | 1/5 5 |
| PER-250W | 11-4/7 294 | 1 26 | 9-1/6 233 | 10-1/4 260 | 1/5 5 |
| PER-355W | 15-1/2 394 | 1 26 | 12-1/5 310 | 14-1/6 360 | 1/5 5 |
| PER-400W | 18 457 | 1 26 | 14-3/8 365 | 16-1/2 420 | 1/5 5 |
| PER-450W | 19-2/3 499 | 1-2/9 31 | 15-5/9 395 | 18-1/9 460 | 1/5 5 |



Soler & Palau will not be responsible for fabrication changes or errors resulting from customer use of a non-current submittal drawing.