



COMPACT SERIES

Wall and Duct Mounted Axial Fans

Models:

Wall Axial Series

WA12 (HCGB/4-12/G-A)

WA16 (HCGB/4-16/G-A)

WA18 (HCGB/4-18/G-A)

WA20 (HCGB/4-20/G-A)

Duct Axial Series

DA12 (TCGB/4-12/G-B)

DA16 (TCGB/4-16/G-B)

DA18 (TCGB/4-18/G-B)

DA20 (TCGB/4-20/G-B)



INSTALLATION AND WIRING INSTRUCTIONS

READ AND SAVE THESE INSTRUCTIONS

• **Figure (1).** Installation/Instalación
COMPACT WALL AXIAL FANS

Models / Modelos:

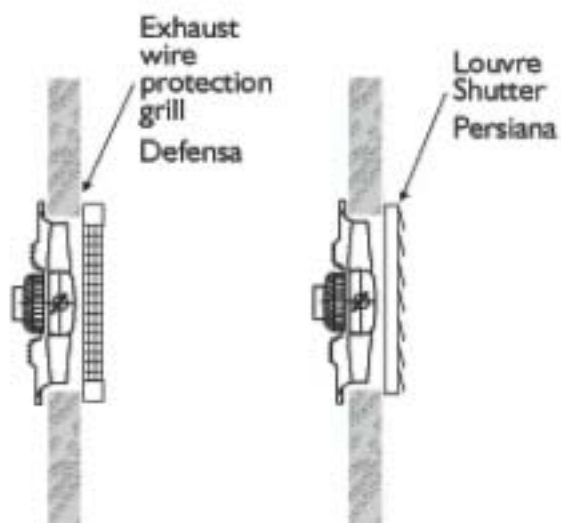
WA12 (HCGB/4-12/G-A)

WA16 (HCGB/4-16/G-A)

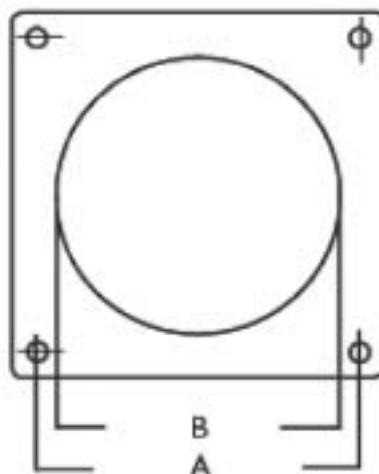
WA18 (HCGB/4-18/G-A)

WA20 (HCGB/4-20/G-A)

an **EefaCo.** Store
 1-877-275-9111



• COMPACT WALL AXIAL FANS
 FIXING DIMENSIONS



Models / Modelo	A	B
WA12 (HCGB/4-12/G-A)	13	12-15/16
WA16 (HCGB/4-16/G-A)	16-9/16	15-3/4
WA18 (HCGB/4-18/G-A)	18-15/16	17-3/4
WA20 (HCGB/4-20/G-A)	22-1/16	19-11/16

an **EefaCo.** Store
 1-877-275-9111

• **Figure (2).** Installation
COMPACT DUCT AXIAL FANS

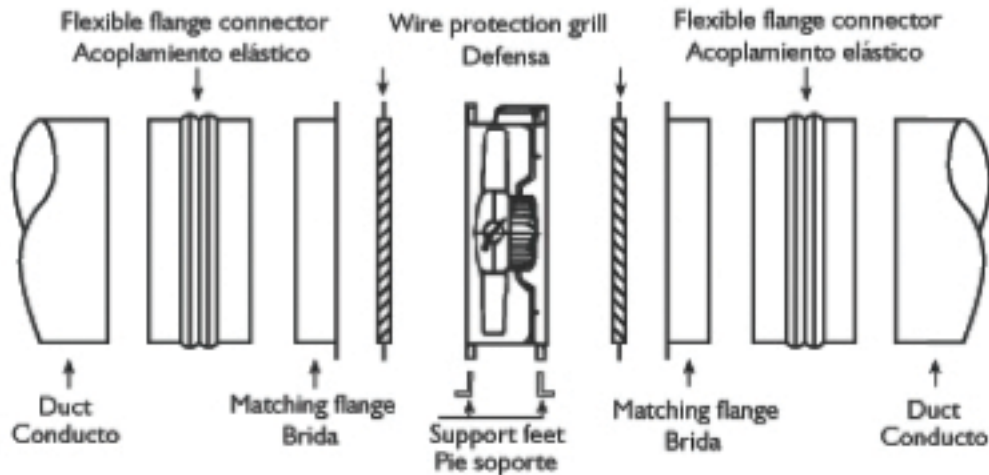
Models / Modelos:

DA12 (TCGB/4-12/G-B)

DA16 (TCGB/4-16/G-B)

DA18 (TCGB/4-18/G-B)

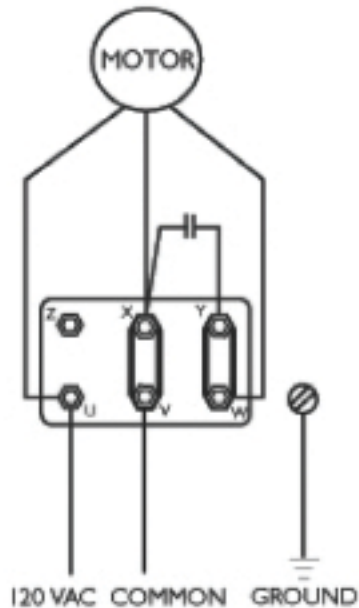
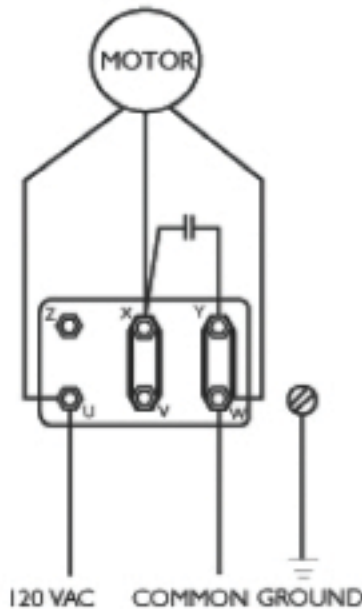
DA20 (TCGB/4-20/G-B)



• **Figure (3).** Wiring / Conexión Eléctrica

COMPACT WALL AXIAL FANS

COMPACT DUCT AXIAL FANS



COMPACT WALL AND DUCT AXIAL FANS

The COMPACT Wall and Duct Axial fan series has been manufactured in accordance with the rigorous standards of production as defined by the International Quality Standards ISO 9001. All components have been checked and tested at the end of the manufacturing process.

We recommend that you check the following when receiving this product:

1. Correct size has been received.
2. Correct model has been received.
3. Details on the rating label correspond to the electrical supply; i.e. Voltage, frequency, etc.

Remove the unit from the packaging and inspect for shipping damage within 15 days of receipt. If the product is found to be damaged, immediately contact your local authorized supplier. **DO NOT OPERATE THIS UNIT IF DAMAGED.**

These instructions should be considered as a supplement to EPA standard practices, as well as state and local building code regulations.

ENVIRONMENT

The COMPACT Wall and Duct Axial series are suitable for exhaust or supply air operations in the temperature range (inclusive if airstream temperature) of -40°C (-40°F) up to $+60^{\circ}\text{C}$ (140°F).

INSTALLATION

WARNING: TO REDUCE THE RISK OF FIRE, ELECTRIC SHOCK, OR INJURY TO PERSONS, OBSERVE THE FOLLOWING:

- a) Use this unit only in the manner intended by the manufacturer. If you have any questions contact the manufacturer.
- b) Before servicing or cleaning the unit, switch the power off at the service panel and lock the service disconnecting means to prevent power from being switched on accidentally. When the service disconnecting means cannot be locked, securely fasten a prominent warning device such as a tag to the service panel.
- c) Installation work and electrical wiring must be done by qualified person(s) in accordance with all applicable codes & standards including fire rated construction.
- d) Sufficient air is needed for proper combustion and exhausting of gases through the flue (chimney) of fuel burning equipment to prevent back drafting. Follow the heating equipment manufacturers guideline and safety standards such as those published by the National Fire Protection Association (NFPA) and the American Society For Heating, Refrigeration and Air Conditioning Engineers (ASHRAE) and the local code authorities.
- e) When cutting or drilling into wall or ceiling, do not damage electrical wiring and other hidden utilities.
- f) Ducted fans must always be vented to the outdoors.
- g) If this unit is to be installed over a tub or a shower, it must be marked as appropriate for the application and connected to a GFCI (Ground Fault Circuit Interrupter) – protected branch circuit.
- h) Never place a switch where it can be reached from a tub or shower.
- i) Do not use this fan with any solid-state speed control device.
- j) **CAUTION:** For General Ventilating Use Only. Do Not Use To Exhaust Hazardous Or Explosive Materials And Vapors.
- k) **CAUTION:** This unit has an unguarded impeller. Do Not Use In Locations Readily Accessible To People Or Animals.

INSTALLATION OF COMPACT WALL AXIAL FANS.

See **Figure (1)**, in accordance with the information below.

Provide a secure structure to mount the fan. Additional structural members may be required to support the fan at the fixing points. If the fan is to be mounted lower than the height recommended by local/national safety regulations (normally 7 ft. minimum), an exhaust guard should be fitted. Please contact you local distributor for suitable accessories.

IMPORTANT: When a guard is fitted to the exhaust side of the fan, ensure that there is a gap of at least 4" between the face of the guard and any moving part.

MOUNTING: Prepare a circular hole in the wall through which the space is to be vented. The size of the hole and the fixing positions are given in **Figure (1)**. Fixing dimensions. Screws and bolts of a least 1/4" diameter should be used. If the exhaust guard is used, it should be fixed into position before the fan is mounted.

INSTALLATION OF COMPACT DUCT AXIAL FANS.

See **Figure (2)**, in accordance with the information below.

COMPACT Duct Axial fans are intended to be installed within a ducted or partially ducted ventilation system. By using COMPACT Duct Fan mounting feet (available at your local distributor) the fans can be mounted on any suitable structure, for example: floors, walls, or ceilings and in any orientation.

For mounting the fans without intake or exhaust side ducting all models should be fitted with the S&P intake or exhaust side protection guards.

All accessories are available from your local distributor – please inquire.

ELECTRICAL CONNECTION.

All COMPACT Wall and Duct Axial Fans operate from a standard 120V 60Hz A.C electrical supply. All wiring must be carried out in accordance with National Electrical Code, and all applicable state and local buildings codes.

Electrical connections should be made in accordance with the electrical wiring diagrams shown in **Figure (3)** Electrical Wiring.

MAINTENANCE

IMPORTANT: BEFORE CARRYING OUT ANY MAINTENANCE OR SERVICING, ENSURE THE UNIT IS DISCONNECTED FROM THE MAIN ELECTRICAL SUPPLY.

All COMPACT Wall and Duct Axial Fans incorporate sealed for life bearings and therefore do not require any lubrication. We would recommend inspection of the product at least once every twelve (12) months to avoid the excessive accumulation of dust and dirt on the impeller. To inspect the unit disconnect from electrical supply and remove from ducting. If any debris is evident on the impeller, clean with a damp (not wet) cloth. **DO NOT USE** any detergents or abrasive materials for cleaning.

FIVE (5) WARRANTY

Soler & Palau warrants that the COMPACT WALL AND DUCT AXIAL FAN series exhaust fans will be free from defective materials and workmanship for the period of five (5) years from the date of original purchase. In the event that we find any part is defective, the product will be repaired or, in the Company's discretion, replaced without charge provided that the product has been installed in accordance with the enclosed instructions and all applicable EPA Standards and state and local building codes.

IF CLAIMING UNDER WARRANTY:

Please return the complete product, freight paid, to your local authorized distributor. All returns must be accompanied by a valid Bill Of Sale. All returns must be clearly marked "Warranty Claim," with an accompanying description stating the nature of the fault.

THE FOLLOWING WARRANTIES DO NOT APPLY

- Damages from shipping, either concealed or visible. Claim must be filed with the carrier.
- Damages resulting from improper wiring or installation.
- Damages caused by acts of nature, or resulting from improper consumer procedures such as: Improper Maintenance; Misuse; Negligence; Alteration; Abuse; Abnormal Use; or Accident or Incorrect Electrical Voltage and Current.
- Removal or alteration to the Soler & Palau data plate label.