



# ACCESSORIES: CONTROLS

[kitchensource.com](http://kitchensource.com)

1.800.667.8721



## S&P Residential/Light Commercial Product Line

The World's Leading Producer of Air Movement Products

**Soler&Palau**  
Ventilation Group

# Energy Recovery Controls (Series TR)



## SPTL - Percentage Timer Control

- Primary control for TR70, TR130, TR200 and TR300
- Runs unit an adjustable amount of time each hour
- Two wire, low voltage connection to TR
- Meets ASHRAE 62.2 continuous ventilation standards



## SPBL - Push Button Point-of-Use Control

- Push button control turns on unit from bathrooms or other intermittent exhaust locations
- 20 minute run-time with one touch
- Push 2x for 40 or 3x for 60 minutes
- Two wire, low voltage connection to SPTL

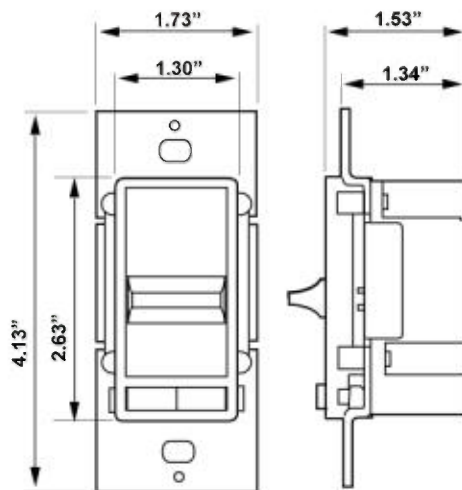


## SFM - Percentage Timer Control with Furnace Interlock

- Alternate primary control for TR70, TR130, TR200 and TR300
- Wires to TR unit and either thermostat or furnace control to turn on furnace blower
- Six wire, low voltage connection
- Meets ASHRAE 62.2 continuous ventilation standards

# Electrical Controls

## SCS



### Features:

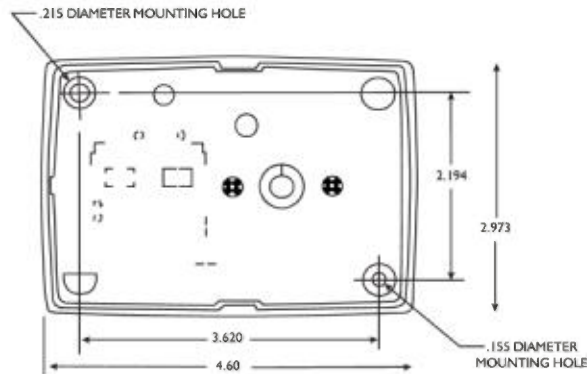
Switch Type: Single-Pole  
 Timer Type: SureSlide  
 Type: Electro-Mechanical  
 Load Type: Incandescent

Load Rating: 600W  
 Voltage: 120 Volt AC 60Hz  
 Action: Standard ON/OFF  
 Protection: Radio/TV Filter  
 Color: White

Part #	Description
SCS5	Speed control slide type (5 Amp)

# Electrical Controls

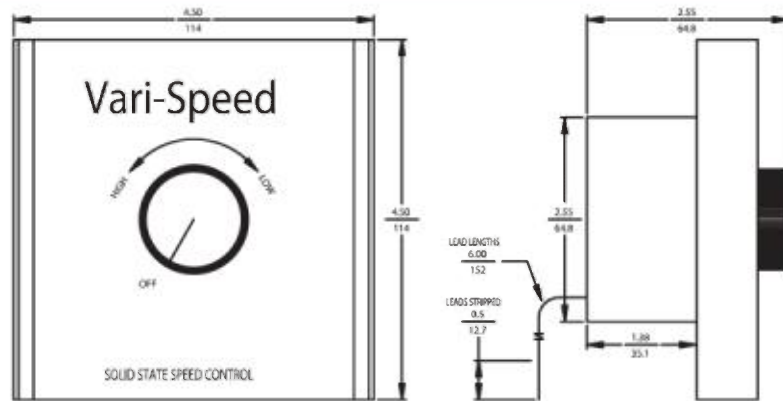
## SHW-20 - Dehumidistat



- Rotary dial dehumidistat
- Turn the dial to set desired humidity level
- Designed for convenient installation in bathrooms, kitchen or laundry room
- Dehumidifies when inside air is more humid than the set point
- **Caution:** the outside air must be less humid than the indoor air for this to work.

Part #	Description
SHW-20	Wall mounted dehumidistat

## SCR



### Features:

- Switch Type: Single-Pole
- Timer Type: Four Preset
- Style: Decora
- Type: Electronic
- Time Range: 10-20-30-60 Minutes
- Load Type: Incandescent / Inductive

- Load Rating: 1000W / 20A 1HP-120V
- Voltage: 120 Volt AC 60Hz
- Wire: 3
- Neutral: Required
- Color: White
- Warranty: 1 year

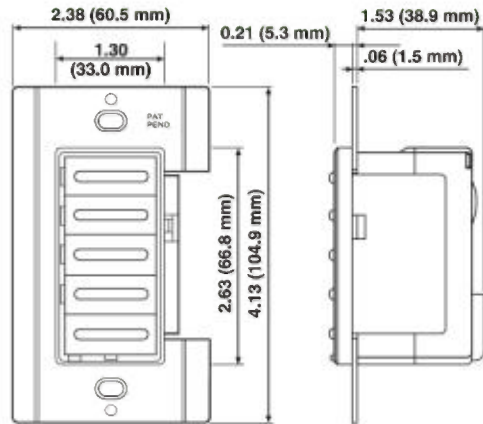
### Electrical Ratings

Part #	AC Line Input Voltage (Volts AC - 50/60 Hz)	Maximum Current Rating (Amps RMS)	Ambient Temperature (°F / °C)
SCR-10	115	10	104 / 40
SCR-15	115	15	77 / 25
SCR-210	230	10	104 / 40

Mounting Kit: Includes individual packaging with dial plate, knob, mounting screws, wire connectors, and instructions.

# Electrical Controls

## EPBT



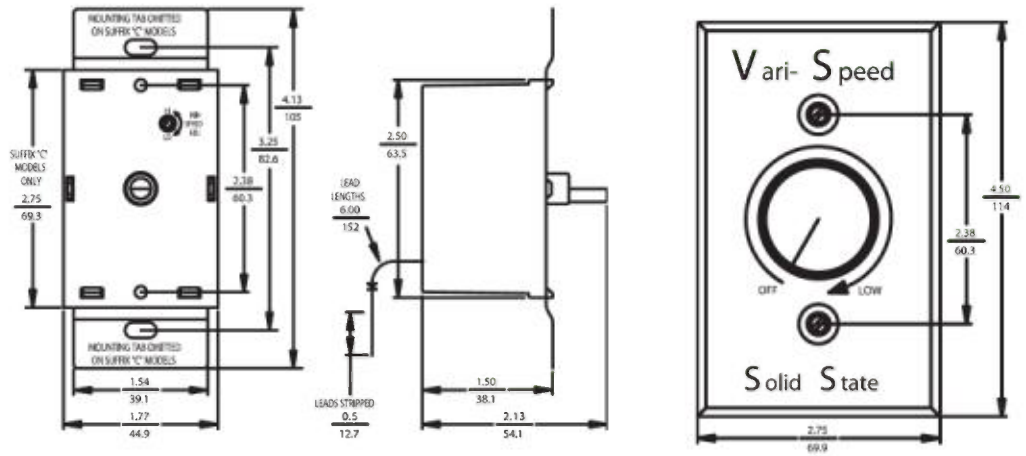
### Features:

Switch Type: Single-Pole  
 Timer Type: Four Preset  
 Style: Decora  
 Type: Electronic  
 Time Range: 10-20-30-60 Minutes  
 Load Type: Incandescent / Inductive

Load Rating: 1000W / 20A 1HP-120V  
 Voltage: 120 Volt AC 60Hz  
 Wire: 3  
 Neutral: Required  
 Color: White

Part #	Description
EPBT-60	Electronic push button timer (10-20-30-60 min)

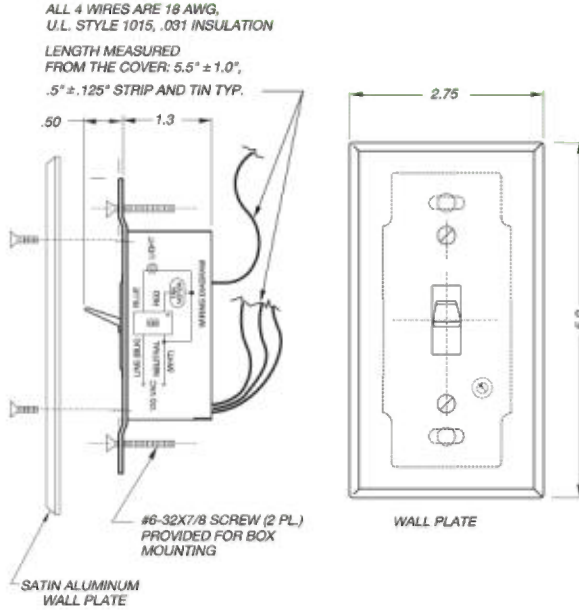
## SC



Model No.	AC Line Input Voltage (Volts AC - 50/60 Hz)	Maximum Current Rating (Amps RMS)	Ambient Temperature (°F / °C)
SC-15	115	5	104 / 40
SC-25	115	10	104 / 40

# Electrical Controls

## FLTD



### Features:

- One switch controls fan and light
- Digital timing circuit
- Saves energy by automatically turning exhaust fan off
- Adjustable fan turn off time
- Fits single switch outlet box
- Simple wire nut hook-up
- Cover plate and hardware provided

Part #	Description
FLTD-60	Fan/light delay timer switch

## SRT



Part #	Description
SRT-30	Rotary spring wound timer

**∴kitchensource.com**

☎ 1.800.667.8721