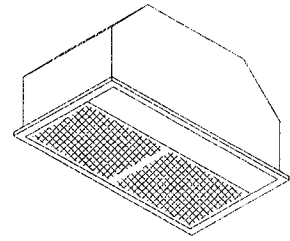




RHVBH2

POWER MODULE



READ AND SAVE THESE INSTRUCTIONS

⚠ INTENDED FOR DOMESTIC COOKING ONLY ⚠

⚠ ⚠ WARNING

TO REDUCE THE RISK OF FIRE, ELECTRIC SHOCK, OR INJURY TO PERSONS, OBSERVE THE FOLLOWING:

1. Use this unit only in the manner intended by the manufacturer. If you have questions, contact the manufacturer at the address or telephone number listed in the warranty.
2. Before servicing or cleaning unit, switch power off at service panel and lock service panel to prevent power from being switched on accidentally. When the service disconnecting means cannot be locked, securely fasten a prominent warning device, such as a tag, to the service panel.
3. Installation work and electrical wiring must be done by a qualified person(s) in accordance with all applicable codes and standards, including fire-rated construction codes and standards.
4. Sufficient air is needed for proper combustion and exhausting of gases through the flue (chimney) of fuel burning equipment to prevent backdrafting. Follow the heating equipment manufacturer's guidelines and safety standards such as those published by the National Fire Protection Association (NFPA), and the American Society for Heating, Refrigeration and Air Conditioning Engineers (ASHRAE), and the local code authorities.
5. When cutting or drilling into wall or ceiling, do not damage electrical wiring and other hidden utilities.
6. Ducted fans must always be vented to the outdoors.
7. Do not use this unit with any separate solid-state speed control device.
8. To reduce the risk of fire, use only metal ductwork.
9. This unit must be grounded.

TO REDUCE THE RISK OF A RANGE TOP GREASE FIRE:

- A. Never leave surface units unattended at high settings. Boilovers cause smoking and greasy spillovers that may ignite. Heat oils slowly on low or medium settings.
- B. Always turn hood ON when cooking at high heat or when flambeing food (i.e. Crepes Suzette, Cherries Jubilee, Peppercorn Beef Flambe').
- C. Clean ventilating fans frequently. Grease should not be allowed to accumulate on fan or filter.
- D. Use proper pan size. Always use cookware appropriate for the size of the surface element.

⚠ ⚠ WARNING

TO REDUCE THE RISK OF INJURY TO PERSONS IN THE EVENT OF A RANGE TOP GREASE FIRE, OBSERVE THE FOLLOWING:*

1. **SMOTHER FLAMES** with a close-fitting lid, cookie sheet, or metal tray, then turn off the burner. **BE CAREFUL TO PREVENT BURNS.** If the flames do not go out immediately, **EVACUATE AND CALL THE FIRE DEPARTMENT.**
2. **NEVER PICK UP A FLAMING PAN** - You may be burned.
3. **DO NOT USE WATER**, including wet dishcloths or towels - violent steam explosion will result.
4. Use an extinguisher **ONLY** if:
 - A. You know you have a Class ABC extinguisher and you already know how to operate it.
 - B. The fire is small and contained in the area where it started.
 - C. The fire department is being called.
 - D. You can fight the fire with your back to an exit.

* Based on "Kitchen Fire Safety Tips" published by NFPA.

⚠ CAUTION

1. To reduce risk of fire and to properly exhaust air, be sure to duct air outside. Do not vent exhaust air into spaces within walls or ceilings or into attics, crawl spaces, or garages.
2. Take care when using cleaning agents or detergents.
3. Avoid using food products that produce flames under the Range Hood.
4. For general ventilating use only. Do not use to exhaust hazardous or explosive materials and vapors.
5. To avoid motor bearing damage and noisy and/or unbalanced impellers, keep drywall spray, construction dust, etc. off power unit.
6. Your hood motor has a thermal overload which will automatically shut off the motor if it becomes overheated. The motor will restart when it cools down. If the motor continues to shut off and restart, have the hood serviced.
7. For best capture of cooking impurities, the bottom of the hood should be a minimum of 24" and a maximum of 30" above the cooking surface.
8. Two installers are recommended.
9. Use with approved cord-connection kit only.
10. Please read specification label on product for further information and requirements.
11. To reduce the risk of fire and electric shock, install this range hood only with Broan Exterior blower models 331H, 332H, 335 or 336, or Broan In-Line Blower models HLB3, HLB6, HLB9 or HLB11. Other Blowers cannot be substituted (Blowers sold separately).

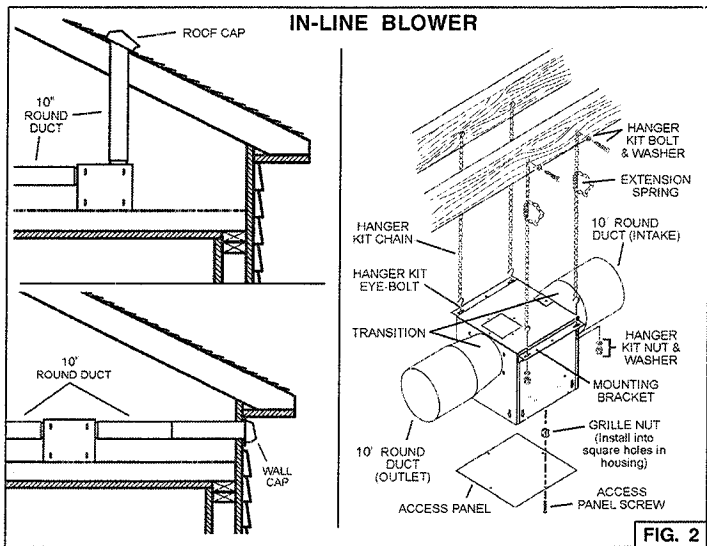
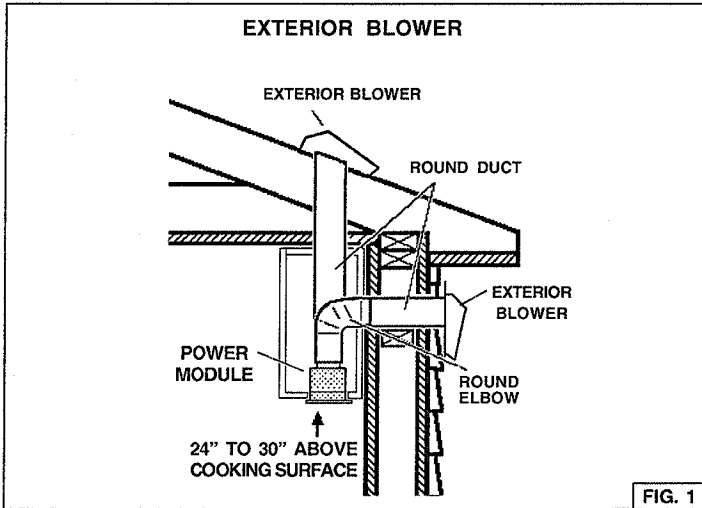
EXTERIOR OR IN-LINE BLOWER SELECTION

CAUTION: Either an exterior blower or in-line blower may be used with this hood. The PME52 hood must be installed with blower models 331H, 332H, 335, 336, HLB3, HLB6, HLB9 or HLB11 only. Other Blowers cannot be substituted (Blowers sold separately). The blower must be **UL** listed for Canadian and **U.S.** use, and evaluated for use with solid state speed control, rated 120V, 60 Hz, 6.0 A max.

INSTALL THE DUCTWORK

NOTE: To reduce the risk of fire, use only metal ductwork.

1. Choose the location where the Exterior or In-Line Blower will be mounted. See illustrations below for mounting location suggestions and restrictions.
2. A straight, short duct run will allow the hood to perform most efficiently.
3. Long duct runs, elbows and transitions will reduce the performance of the hood. Use as few of them as possible. Larger ducting may be required for best performance with long duct runs.
4. After the Exterior or In-Line Blower has been installed, connect round metal ductwork and work back towards the hood location. Use duct tape to seal joints between ductwork sections.
5. An 8" round to 10" round transition (Model 414) is required. For best air performance, install the transition as close to the range hood as possible.



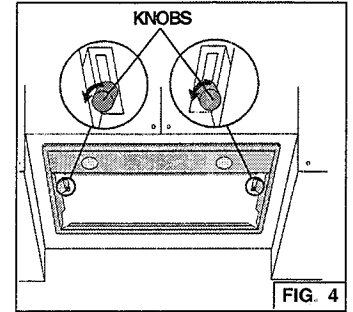
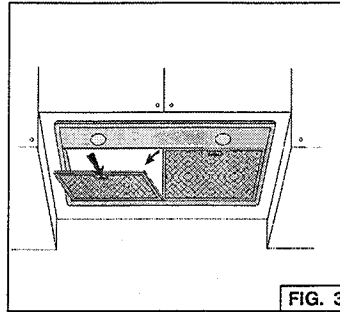
INSTALL THE HOOD

NOTE: the hood has to be installed, inside the cabinet, at minimum 1" from the rear wall cabinet and at 3" from the front wall cabinet.

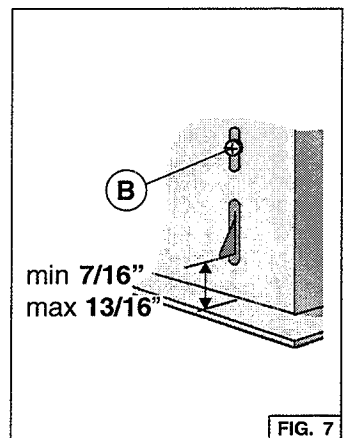
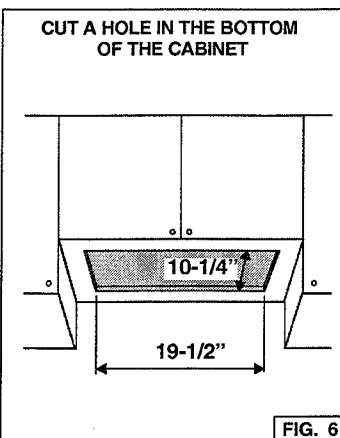
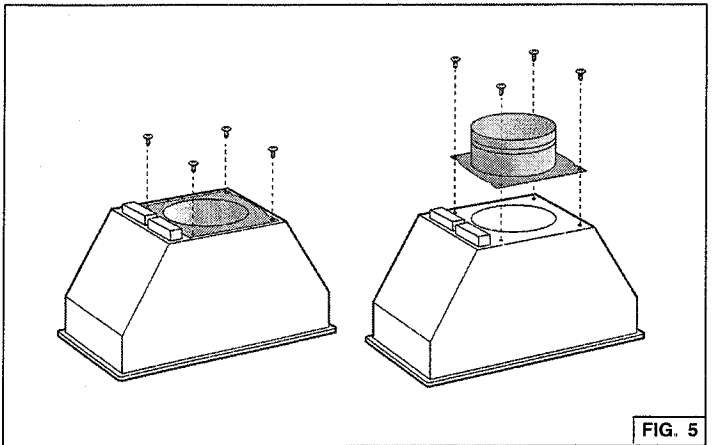
The internal height of cabinet has to be minimum 16".

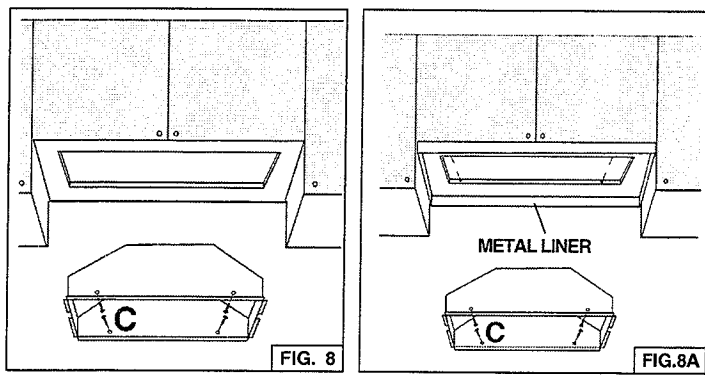
The hood should be mounted centered over the cook top burners.

1. Remove the grease filters by pushing filter towards the back of hood and rotating filter downward (Fig. 3).
2. Take the filters support away by turning the (2) knobs counterclockwise (Fig. 4).



3. Mounting discharge collar (Fig. 5): remove the (4) screws and remove the discharge collar; rotate it and refix in the new position (use the same screws).
4. Cut a hole in the bottom of the cabinet, using the dimensions shown (Fig. 6).
5. Adjust the position of the clamping side spring by means of the proper "B" screw according to the thickness of the bored panel to which it is going to be anchored (Fig. 7).
6. **NOTE:** For installations where the Power Pack is less than 30" above cook top, it is recommended that the Power Pack be mounted into a metal liner or non-combustible material. This will allow easier cleaning and provide protection to the cabinetry (Fig.8A).
7. Insert the hood in the cabinet (Fig. 8) or metal liner (Fig. 8A) and secure with the (4) "C" mounting sheet metal screws (4.2x15mm). (Fig. 8 - wood bottom installation; recommended thickness 1/2"-3/4").
(For alternate mounting, use machine screws with washers and nuts. This alternate mounting method needs to be done prior to installation of metal liner).
8. Replace the filters support.
9. Replace the grease filters.



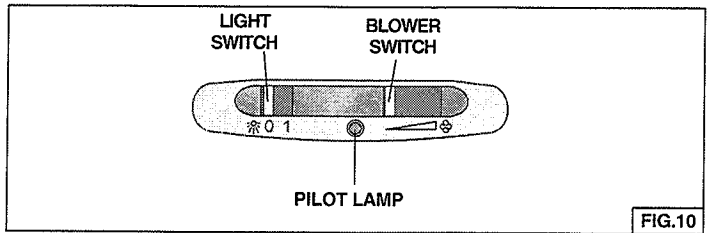


OPERATION

Controls

The **light switch** turns the lamps on and off.
The **blower switch**: makes it possible to select the motor operating speed.

The **pilot lamp** lights up whenever the blower is on.



CONNECT DUCTWORK

1. Use 8" round metal duct to connect the discharge collar on the hood to the ductwork above.
2. Use duct tape to make all joints secure and air tight.

WIRING

CAUTION: All electrical wiring should be done by a qualified person (s) in accordance with all applicable codes and standards. This range hood must be properly grounded.

Do not turn power on at service panel until all wires have been connected.

Blower connection at hood (Fig. 9):

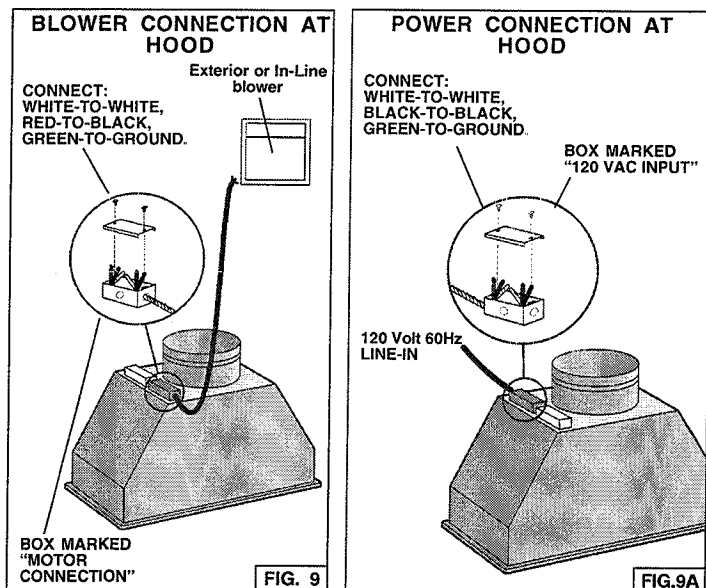
1. Run conductors (2-wire plus ground) from the exterior or In-Line blower to the hood's wiring box marked "motor connection".
2. Remove the cover from the wiring box and remove one knockout.
3. Secure the conduit to the wiring box through a conduit connector.
4. Make electrical connections at the hood. Connect white-to-white, red-to-black and green-to-ground.
5. Replace the wiring box cover and screws. make sure wires are not pinched between the cover and box.

Exterior or In-Line blower connection:

1. Make electrical connections at the exterior or In-Line blower (see instructions provided with the exterior or In-Line blower).

Power connection at hood (Fig. 9A):

1. Run supply conductors to the hood wiring box marked "120VAC input".
2. Remove the cover from the wiring box and remove one knockout.
3. Secure the conduit to the wiring box through a conduit connector.
4. Make electrical connections at the hood. Connect white-to-white, black-to-black and green-to-ground.
5. Replace the wiring box cover and screws. Make sure wires are not pinched between the cover and box.



MAINTENANCE

ALWAYS SWITCH OFF THE ELECTRICITY SUPPLY BEFORE CARRYING OUT ANY OPERATIONS ON THE APPLIANCE.

Grease Filters

The **grease filters** should be cleaned frequently. Use a warm detergent solution. Grease filters is dishwasher safe.

Remove the grease filters by pushing filter towards the back of hood and rotating filter downward (Fig. 3).

Cleaning

Occasional care will help preserve its fine appearance.

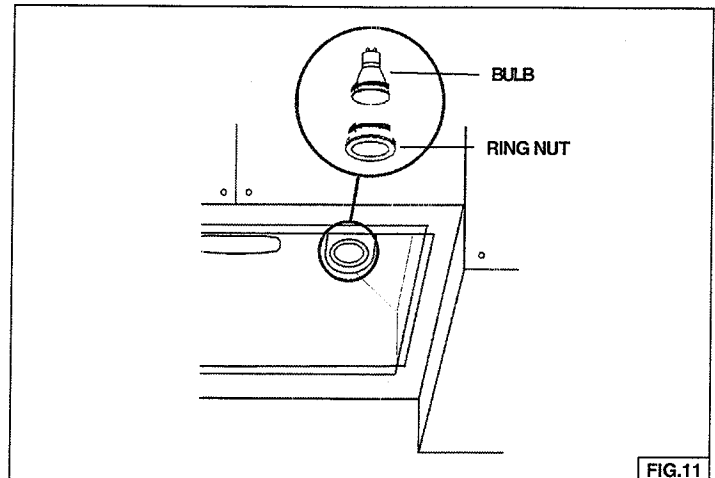
- Clean with warm water and mild detergent only.
- Follow all cleaning by rinsing with clear water.
- Wipe dry with clean, soft cloth.

Halogen bulbs

This range hood requires two 50-Watt halogen bulbs.

To change bulbs:

1. Remove the grease filters (Fig. 3).
2. Remove the metal grille by turning the (2) knobs counterclockwise (Fig. 4).
3. Loosen the ring nut by turning it counterclockwise (Fig. 11).
4. Loosen the bulb by turning it counterclockwise (Fig. 11); pull the bulb downwards to remove. **CAUTION: BULB MAY BE HOT!**
5. Replace with Type GU10, MR16 shielded, 120V, 50W halogen bulb.



SERVICE PARTS

KEY NO.	PART NO.	DESCRIPTION
5	BE3344847	Filters Support
6	B02011013	Spring
9	B08087804	Grease Filter
26	B02300899	Halogen Lamp Bulb
37	B02000690	Knob
39	B03294033	Wiring Box Cover
86	B08092406	Discharge Collar (Included Key No. 86, 57)
115	BE3334250	Connection Box
116	BE3334252	Connection Box Cover
144	B03292287	Wire Clamp
152	B03292200	Wire Clamp
165	B03294781	Wiring Box
165	B03294780	Controls Box
166	B08080141	Wiring Board
195	BE3349127	Lamp Support
202	B03294779	Wire Clamp
202	B03292063	Wire Clamp
222	B03295043	Control Cover
223	B03295082	Blower Switch
228	B08086262	Controls Board
229	B03201014	Pilot Lamp
241	B03295081	Light Switch
250	B02009102	Ring Nut
472	BE3344843	Control Bracket
998	B080810782	Hardware Package
ALA	B06108882	Halogen Support Assembly
AQI	B06103644	Switch box Assembly (Included Key No.165,222,228,152,241, 223,229,202)

