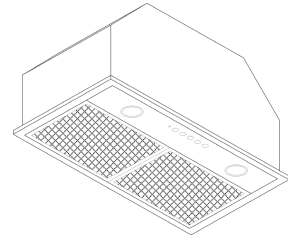




RHVBB30SS

# POWER MODULE



## READ AND SAVE THESE INSTRUCTIONS

### ⚠ INTENDED FOR DOMESTIC COOKING ONLY ⚠

#### ⚠ ⚠ WARNING

##### **TO REDUCE THE RISK OF FIRE, ELECTRIC SHOCK, OR INJURY TO PERSONS, OBSERVE THE FOLLOWING:**

1. Use this unit only in the manner intended by the manufacturer. If you have questions, contact the manufacturer at the address or telephone number listed in the warranty.
2. Before servicing or cleaning unit, switch power off at service panel and lock service panel to prevent power from being switched on accidentally. When the service disconnecting means cannot be locked, securely fasten a prominent warning device, such as a tag, to the service panel.
3. Installation work and electrical wiring must be done by a qualified person(s) in accordance with all applicable codes and standards, including fire-rated construction codes and standards.
4. Sufficient air is needed for proper combustion and exhausting of gases through the flue (chimney) of fuel burning equipment to prevent backdrafting. Follow the heating equipment manufacturer's guidelines and safety standards such as those published by the National Fire Protection Association (NFPA), and the American Society for Heating, Refrigeration and Air Conditioning Engineers (ASHRAE), and the local code authorities.
5. When cutting or drilling into wall or ceiling, do not damage electrical wiring and other hidden utilities.
6. Ducted fans must always be vented to the outdoors.
7. Do not use this unit with any separate solid-state speed control device.
8. To reduce the risk of fire, use only metal ductwork.
9. This unit must be grounded.

##### **TO REDUCE THE RISK OF A RANGE TOP GREASE FIRE:**

- A. Never leave surface units unattended at high settings. Boilovers cause smoking and greasy spillovers that may ignite. Heat oils slowly on low or medium settings.
- B. Always turn hood ON when cooking at high heat or when flambeing food (i.e. Crepes Suzette, Cherries Jubilee, Peppercorn Beef Flambe').
- C. Clean ventilating fans frequently. Grease should not be allowed to accumulate on fan or filter.
- D. Use proper pan size. Always use cookware appropriate for the size of the surface element.

#### ⚠ ⚠ WARNING

##### **TO REDUCE THE RISK OF INJURY TO PERSONS IN THE EVENT OF A RANGE TOP GREASE FIRE, OBSERVE THE FOLLOWING:\***

1. **SMOTHER FLAMES** with a close-fitting lid, cookie sheet, or metal tray, then turn off the burner. **BE CAREFUL TO PREVENT BURNS.** If the flames do not go out immediately, **EVACUATE AND CALL THE FIRE DEPARTMENT.**
2. **NEVER PICK UP A FLAMING PAN** - You may be burned.
3. **DO NOT USE WATER**, including wet dishcloths or towels - violent steam explosion will result.
4. Use an extinguisher **ONLY** if:
  - A. You know you have a Class ABC extinguisher and you already know how to operate it.
  - B. The fire is small and contained in the area where it started.
  - C. The fire department is being called.
  - D. You can fight the fire with your back to an exit.

\* Based on "Kitchen Fire Safety Tips" published by NFPA.

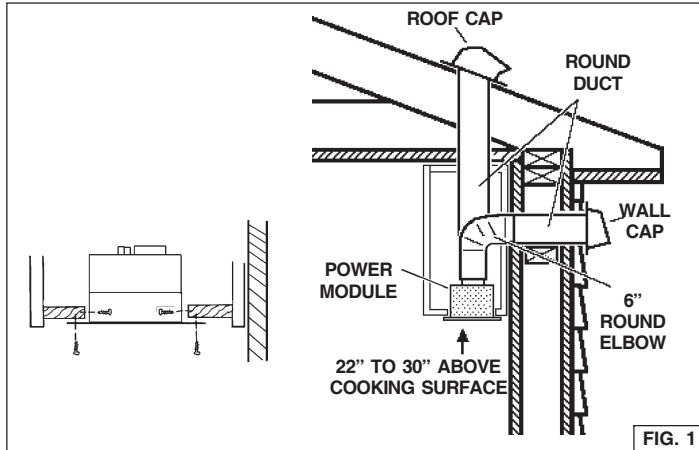
#### ⚠ CAUTION

1. To reduce risk of fire and to properly exhaust air, be sure to duct air outside. Do not vent exhaust air into spaces within walls or ceilings or into attics, crawl spaces, or garages.
2. Take care when using cleaning agents or detergents.
3. Avoid using food products that produce flames under the Range Hood.
4. For general ventilating use only. Do not use to exhaust hazardous or explosive materials and vapors.
5. To avoid motor bearing damage and noisy and/or unbalanced impellers, keep drywall spray, construction dust, etc. off power unit.
6. Your hood motor has a thermal overload which will automatically shut off the motor if it becomes overheated. The motor will restart when it cools down. If the motor continues to shut off and restart, have the hood serviced.
7. For best capture of cooking impurities, the bottom of the hood should be a minimum of 22" and a maximum of 30" above the cooking surface.
8. Two installers are recommended.
9. Use with approved cord-connection kit only.
10. Please read specification label on product for further information and requirements.

## INSTALL THE DUCTWORK

**NOTE: To reduce the risk of fire, use only metal ductwork.**

1. Decide where the ductwork will run between the hood and the outside.
2. A straight, short duct run will allow the hood to perform most efficiently.
3. Long duct runs, elbows, and transitions will reduce the performance of the hood. Use as few of them as possible. Larger ducting may be required for best performance with longer duct runs.
4. Install a roof or wall cap. Connect round metal ductwork to cap and work back towards hood location. Use duct tape to seal the joints between ductwork sections.



## INSTALL THE HOOD

**NOTE:** the hood has to be installed, inside the cabinet, at minimum 1" from the rear wall cabinet and at 3" from the front wall cabinet.

The internal height of cabinet has to be minimum 16".

The hood should be mounted centered over the cook top burners.

1. Remove the grease filters, push in on the metal latch tab. Tilt the filters downward and remove (Fig. 2).
2. Take the filters support away moving the 2 lateral locks C (Fig. 3).

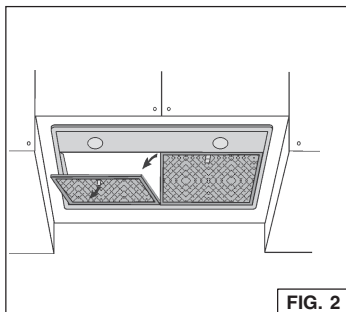


FIG. 2

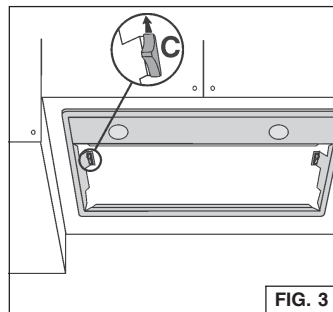


FIG. 3

3. Cut a hole in the bottom of the cabinet, using the dimensions shown (Fig. 4).
4. **NOTE:** For installations where the Power Pack is less than 30" above cook top, it is recommended that the Power Pack be mounted into a metal liner or non-combustible material. This will allow easier cleaning and provide protection to the cabinetry.
5. Insert the hood in the cabinet and secure with the (4) "C" mounting screws 3.2x13mm (Fig. 5). For alternative side fixing use M4x15mm screws with washers and nuts.
6. Replace the filters support.

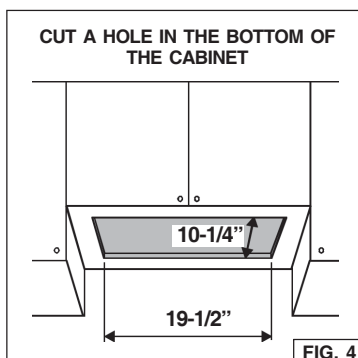


FIG. 4

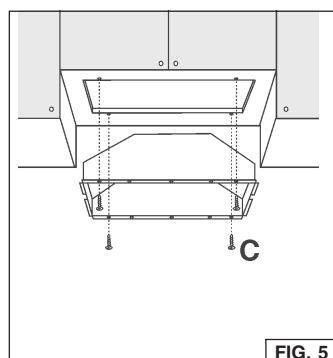


FIG. 5

7. In the Non-Ducted Recirculation Configuration, install the Non-ducted recirculation Filters before replacing the grease filters (see section "Non-ducted recirculation filters installation").
8. Replace the grease filters.

## CONNECT DUCTWORK

### Ducted Configuration

1. Take the **damper** and assemble it onto the hood's discharge opening, pressing slightly.
2. Use **6" round metal duct** to connect the discharge collar on the hood to the ductwork above.
3. Use **duct tape** to make all joints secure and air tight.

### Non-Ducted Recirculation Configuration

1. Connect a **6" round metal duct** to the discharge opening so that the air is sent outside the cabinet and sent back into the room.
2. Use **duct tape** to make all joints secure and air tight.

## NON-DUCTED RECIRCULATION FILTERS INSTALLATION

Install the Non-ducted recirculation filters over the grease filters and secure them with the metal wires supplied with the Non-ducted recirculation Filters (Fig. 6).

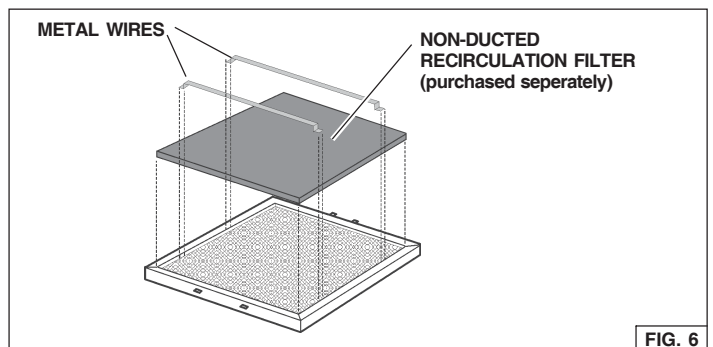


FIG. 6

## WIRING

**Note:** This range hood must be properly grounded.

**The unit should be installed by a qualified electrician in accordance with all applicable national and local electrical codes.**

1. Remove the **wiring box cover**. Remove a knockout from the wiring box.
2. Secure the conduit to the wiring box through a conduit connector.
3. Make electrical connections. Connect white to white, black to black and green to green.
4. Replace wiring box cover and screws. Make sure that wires are not pinched between cover and box.

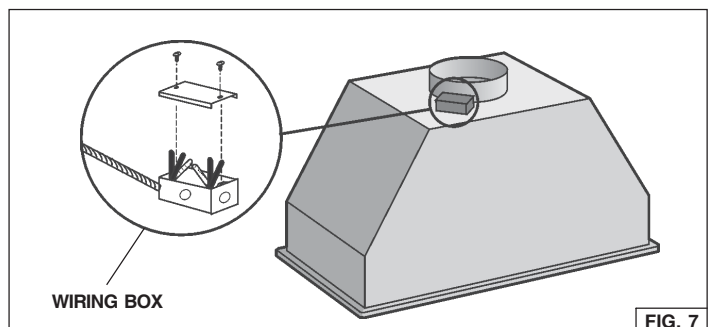


FIG. 7

## OPERATION

### Controls

The **light switch** turns the halogen lights on and off.

The **blower off switch** turns the blower off.

The **blower low speed switch** turn the blower speed to low.

The **blower medium speed switch** turn the blower speed to medium.

The **blower high speed switch** turn the blower speed to to high.

The **pilot lamp** lights up whenever the blower is on.

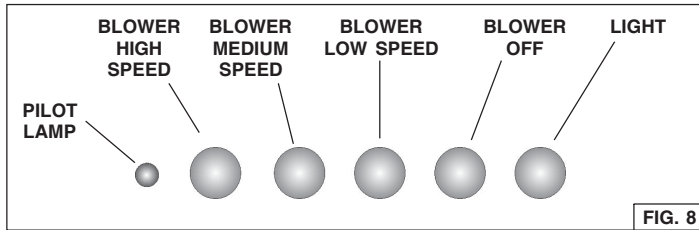


FIG. 8

## MAINTENANCE

**ALWAYS SWITCH OFF THE ELECTRICITY SUPPLY BEFORE CARRYING OUT ANY OPERATIONS ON THE APPLIANCE.**

### Grease Filters

The **grease filters** should be cleaned frequently. Use a warm detergent solution. Grease filters is dishwasher safe.

To remove the grease filters: push in on the metal latch tab. Tilt the filters downward and remove (Fig. 2).

### Non-Ducted Recirculation Filters

The Non-Ducted Recirculation filters (purchase seperately) should be changed every 6 months.

To remove the Non-Ducted Recirculation filters:

1. To remove the grease filters: push in on the metal latch tab. Tilt the filters downward and remove (Fig. 2).
2. Remove the metal wires (Fig. 6) and replace the Non-ducted recirculation Filters.

### Cleaning

Occasional care will help preserve its fine appearance.

- Clean with warm water and mild detergent only.
- Follow all cleaning by rinsing with clear water.
- Wipe dry with clean, soft cloth.

### Halogen bulbs

This range hood requires two 20-Watt halogen bulbs.

To change bulbs:

1. Open the cover by prying from the proper slots (Fig. 9). - **DO NOT ROTATE. CAUTION: BULB MAY BE HOT!**
2. Replace with light bulbs of the same type (Type T3, 12Volt, 20 Watt Max, G-4 Base).

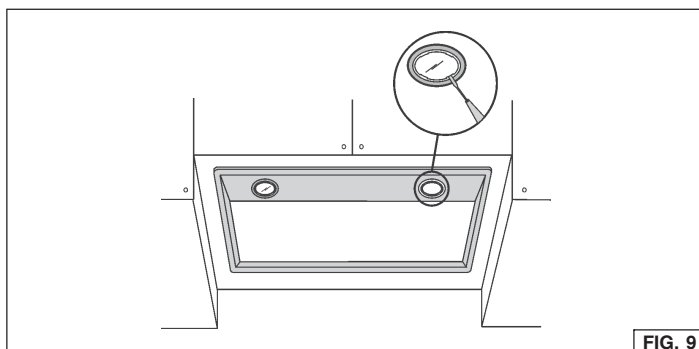


FIG. 9

## SERVICE PARTS

KEY NO.	PART NO.	DESCRIPTION
1	B003102348	Frame
4	B03293065	Side Fastener
6	B02011013	Spring
9	B08087039	Grease Filter
14	B02300233	Condenser
19	B03295104	Transformer Protection
26	B02300891	Halogen Lamp Bulb
45	BW0000021	Blower
48	B02310260	Motor
49	B03295071	Blower Wheel
53	B03202007	Rubber Washer
86	B08088378	Damper
115	BE3334250	Wiring Box
116	BE3334252	Wiring Box Cover
134	B03293066	Grid Stop
165	B03295008	Box Condenser
208	B02300783	Transformer
223	B03200376	Blower Switch
228	B08086303	Controls Board
229	B03201014	Pilot Lamp
230	B03294831	Control Box Cover
234	B03294830	Control Box
274	B03295035	Fuse Box
472	BE3348670	Controls Bracket
474	B02300798	Halogen Lamp
477	B03295105	Transformer Protection Cover
AQI	B06108858	Switch box Assembly (Included Key No. 234, 228, 14, 230)
-	B08999053	Non-Ducted Filter Kit (purchased seperately)

