

\*\*\* CUSTOMER APPROVAL \*\*\*

SIGNED:

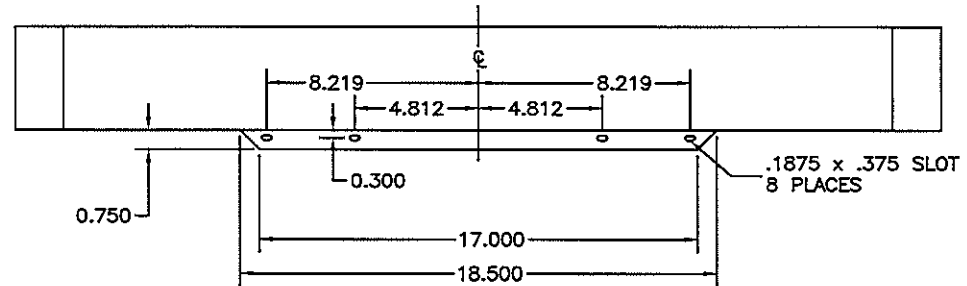
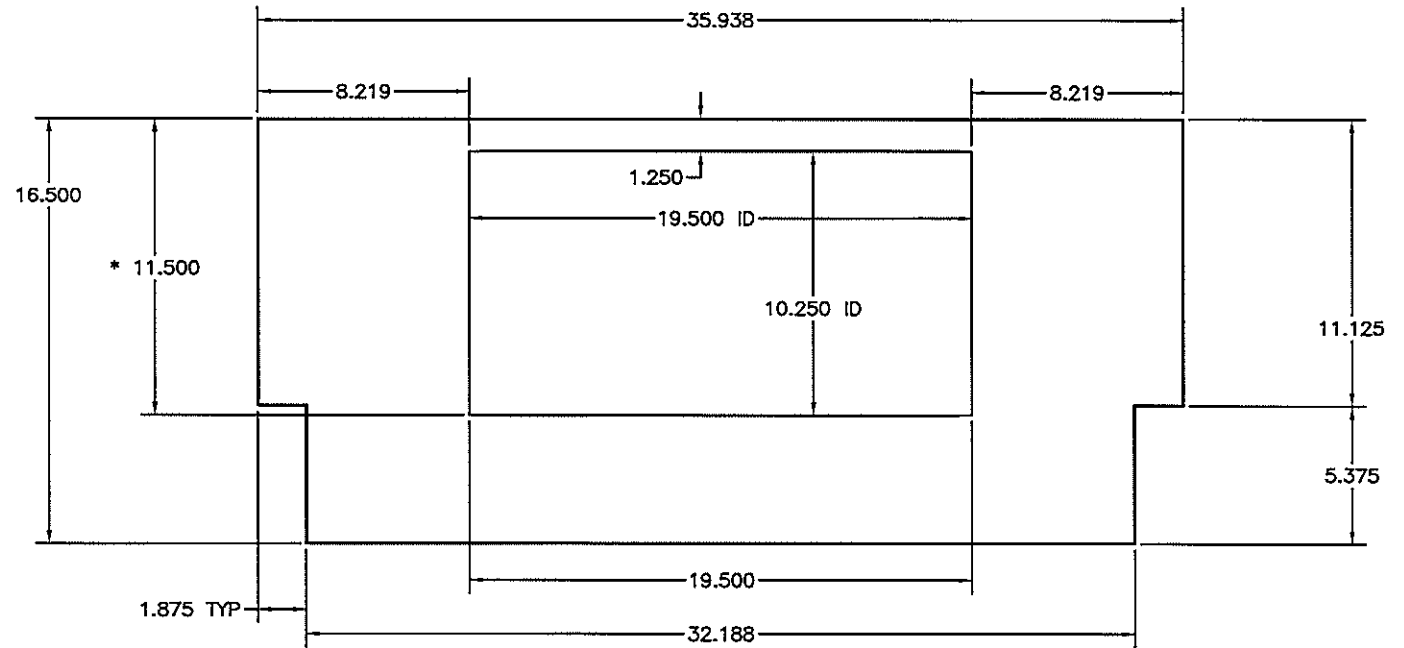
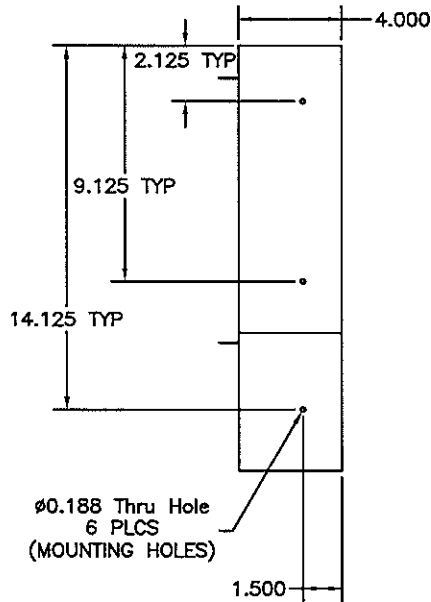
DATE:

NOTES:

### 16.500 X 36.000 RANGE HOOD LINER

- NOTES:
- STARRED(\*) DIMENSION IS TAKEN FROM THE BACK WALL BUT NOT INCLUDING THE MATERIAL THICKNESS
  - MATERIAL THICKNESS RANGE IS .021-.030" (23 TO 24 GAUGE, BASED ON U.S. STD. SHEET METAL GA.)

(INSIDE VIEW OF LINER)



# kitchensource.com

1.800.667.8721

MATERIAL:	Stainless, HR or CR Steel	TOL:	±0.062"
DRAWN:	MG	APPRVD:	DATE: 03/22/2007
NOTES:	Customer Part Specifications		
DESC:	36" RH LINER NOTCHED	PART#:	090655----
DWG:	090655	REV:	B PAGE: 01