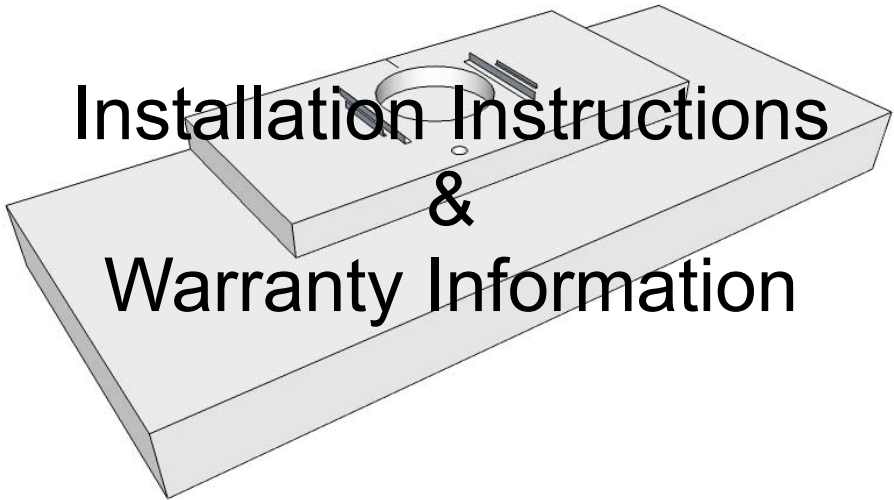




Wall Mount—WHN2000



Installation Instructions & Warranty Information

**DO NOT THROW AWAY,
PROPERTY OF THE HOME OWNER!**

Imperial Cal Products, Inc.



Read Before Starting Installation!
Inspect your range hood prior to installing!
Any cosmetic defects must be reported to us prior to installation.
Once this hood is installed, ICP will NOT accept any responsibility
for any cosmetic blemishes, scratches or dents in the Canopy.
Save all original packaging if you wish to return for any reason!

FIRST:

Check your local building and electrical codes.

WARNING:

To reduce the risk of fire or electrical shock, Do Not use any two speed motor units with a Solid State control devise.

CAUTION:

To reduce the risk of fire or personal injury and to properly exhaust air, be sure to duct air to the outside. DO NOT vent exhaust air into spaces within wall, attics, ceilings, crawl spaces or garages. When venting to the outside make duct run as short and straight as possible. **Avoid using elbows if at all possible as this will reduce your performance.** Every elbow will decrease the performance and we will not guarantee the effectiveness of the range hood.

No Performance Warranty when used above BBQ Style Grills.

DO NOT use duct pipe smaller than the outlet duct opening on the hood, this will reduce performance and void the warranty. DO NOT use flex ducting. Also, use either a Roof Cap or Wall Cap to end run. Be sure that all joints are taped securely in place. It is essential to have the proper distance between the bottom of the range hood and the cooking surface below. In most cases the cooking appliance manufacturers specifications will establish the fire safe minimum distance required, although there are other factors to consider:

- Local Building Codes
- Cross directional air movements ie: open windows, air conditioning/heating outlets, cooling fans, etc.
- Overall size of the cooking appliance and surrounding countertop surfaces.
- Range hood model selected.

For best performance distance between cooking surface and the bottom of the hood is 30" and 36". Check local codes and appliance specifications. Keep in mind, increasing the distance will decrease the performance.

THERMOSTAT: PS or BP Units ONLY. When cooking surface reaches 130 degrees, the unit will automatically turn ON to the highest setting and won't be able to be turned off until the area has cooled down. For safety, it's best to have unit on while cooking. (This thermostat will NOT prevent fires. Fires are most often cause by excessive grease build up.)

TWIN UNITS ONLY - Transitioning two pipes into one is NOT recommended. CFMs are reduced by 25% and the Performance Warranty will be void.

DISCLAIMER

Imperial assumes no liability regarding the improper installation or misapplication of its products. It is the installer's responsibility to check for proper installation. Under no circumstances will Imperial be liable for any labor charged or travel time incurred installation of its products. Damage caused by improper installation is the installers responsibility and Imperial assumes no liability.



WARNING: This product can expose you to certain chemicals, which are known to the State of California to cause cancer or birth defects or other reproductive harm. For more information to go: www.P65WARNINGS.ca.gov.

Wall Mount Installation Detail:

MODELS:

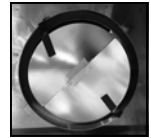
WHN2000PSSB
WHN2000BP1SB

MODELS:

WHN2000PS1-TWSB

CAUTION: Be sure that incoming power is turned off.

1. Locate height of range hood.
2. From bottom of hood, measure 6" up and draw a line.
3. Take "U" shape installation bracket and line the bottom of the bracket up with the line (center bracket left to right) install bracket using #10 x 2-1/2" wood screws, if you have wood to screw in to. If not use the 3/16" x 3" toggle bolts.
4. Lift up hood and connect hood brackets to installation bracket using (8) 10-32 Hex Keys nuts and (8) 10-32 x 3/4 screws. Make sure hood is level before you tighten all screws.
5. Use (2) 3/16" x 3" toggle bolts or #10 x 2-1/2" wood screws and (2) 1-1/4" OD Fender washers to secure to back of wall.
6. Bring wires down and feed through 7/8" hole on top of the hood, at least 8" to 10" long.
7. Remove junction box. (Be sure to comply with all local electrical and safety codes) **Units are to be hard wired. It is not recommended to add a power-cord. Adding a power cord can loosen existing wires inside junction box causing electrical failure.**
8. Remove Black Tape that holds the Damper Blades in closed position. Attach special length of vent pipe to the vent opening on top of hood. ***It is NOT recommended to use 2 dampers during installation. You have the option to put a external damper or use the existing damper already on the unit.**



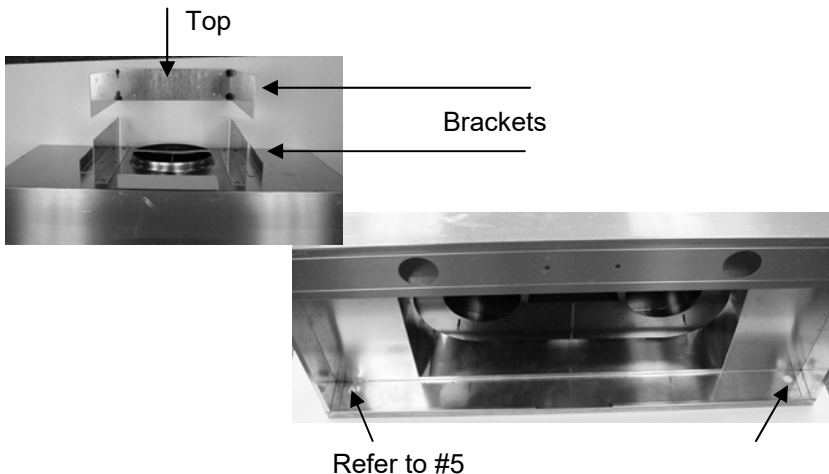
Black Tape on Damper

Duct Sizes Indicated in Model # (Ex: WH2048PSSB-K)

** - g = 8" DUCT PIPE

** - K=10" DUCT PIPE

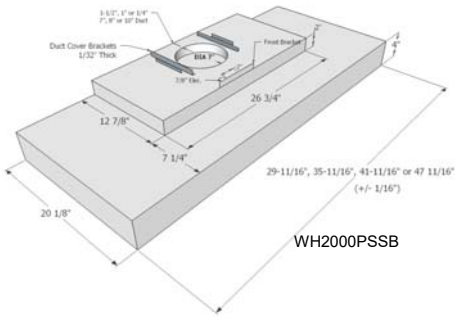
If not indicated by an 8 or a K, duct pipe is 7" Round.



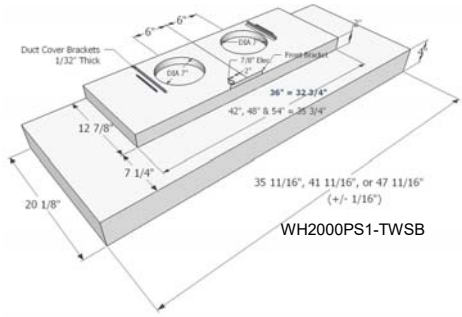
Wall Mount Installation Detail:

8. Hook up electrical wires and secure electrical cover.
9. Replace filters. For Baffle Filters, install grease tray towards the back of liner. Take one baffle, slide between steel strips towards the front of the liner and push back into grease tray grooves, then slide to one side. Insert second baffle the same way and slide to opposite side. (Grease holes, on bottom of baffle must be inserted into grease tray) Take Center Panel and slide in towards the front of the liner and push back into grease tray.
10. Install duct cover by peeling back brown tape on the brackets located on the top of the range hood. Line up duct cover to brackets and press firmly. You can use caulking on the back flanges if you wish, but it's not necessary.

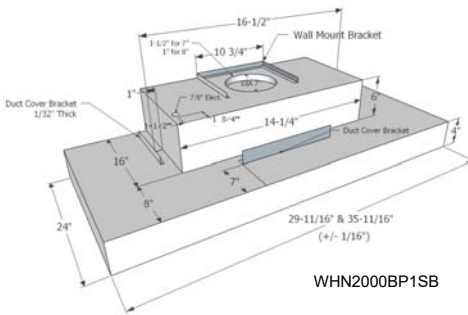
TWIN UNITS ONLY—Transitioning two pipes into one is NOT recommended. CFMs are reduced by 25% and the Performance warranty will be void.



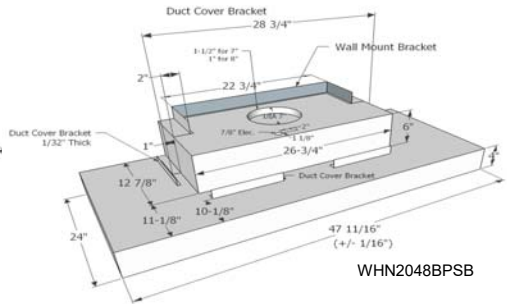
WH2000PSSB



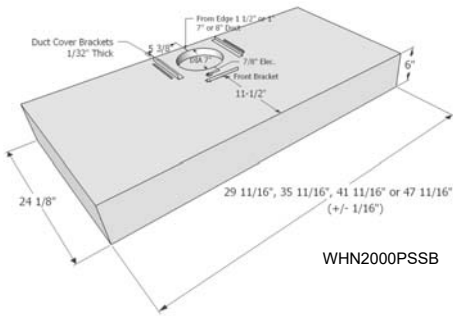
WH2000PS1-TWSB



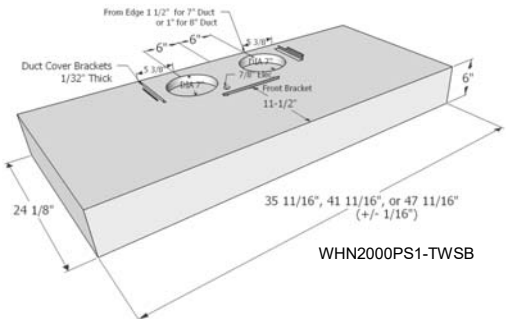
WHN2000BP1SB



WHN2048BPSB



WHN2000PSSB



WHN2000PS1-TWSB

Imperial Cal Products, Inc.

To order replace parts or schedule service please call our office

PARTS:

When ordering Parts we need the following information:

- Model Number (not serial number) found on UL label inside hood.
- Exact dimensions (in the case of filters)

You can find the model number on the inside of your hood on our UL label. There will be a several model numbers listed, your model number should have a colored dot or mark next to it to indicate the exact model you have.

In the case of Filters, we will need the **exact dimensions of the filter needed.**

Indicate which side has the pull tabs on it. Filters are not a warranty replacement part. With care your filters should last many years.

Payment on Parts is handled one of three ways: PrePaid (you send a check prior to our Shipping), call with credit card information, VISA or MasterCard, COD or Cash if you decide to "Will Call".

SERVICE:

When calling in for Service we need the following information:

- **Model Number (not serial number)**
- **Proof of Purchase**
- **Name of company you purchased the hood through.**
- **Name & Phone number of the person to contact to set up the service call.**
- **Full address of the location where service is to be done.**

Warranty is Seven Years, Parts and Labor.

Maintenance & Warranty Information

RANGE HOOD CLEANING—When cleaning a painted hood, wash it with mild, soapy water ONLY! Wipe the hood thoroughly with clean water and dry with soft cloth. When cleaning Stainless Steel use a cleaner specifically for Stainless Steel. Always rub with the grain using non-abrasive cleaning materials. AVOID detergents, disinfectants or cleaning products in aerosol cans. NEVER use abrasive scouring powders on your hood! **Some cleaning chemicals may damage the hood finish!**

BAFFLE FILTER CLEANING—To remove Baffle Filters, remove center panel by pulling panel toward the front of the hood, lift up to remove. Move filters to the center of the hood, pull baffle towards the front of the hood and lift out. To remove grease tray, slide tray to the top of the hood and lift out. Grease will accumulate in grease tray. Clean with hot water and polish with stainless steel cleaner.

SLIM BAFFLE & ALUMINUM MESH FILTER CLEANING—Clean filters often for the best performance. How often depends on cooking style. Use hot water and a degreaser to clean. **May be used in the dishwasher through the RINSE cycle ONLY. Some detergents may discolor filters.** For Slim Baffles polish baffle side with stainless steel cleaner.

LIGHTING

LED BULB—PAR 20 FLOOD LAMP—DIMMABLE

Warning: Do not use any bulbs that are not instructed by manufacturer. Do not use Halogen bulbs in sockets not intended for their use! They are to be used only in the Front Light and Center Light Panels.

Your Imperial Warranty: MUST show proof of original purchase date is needed to obtain service under warranty.

Deluxe Units: Seven Year Limited Warranty, Parts and Labor in the Continental USA. Parts only outside the United States.

For seven years from date of original purchase, we will provide parts and service labor in your home to repair or replace any part of the hood that fails due to a manufacturing defect. Call for service at (800) 851-4192

NOTE: *Service companies will perform Warranty Service, Monday through Friday from 7 a.m.—4: p.m. The service company will call and schedule a date and time with a 4 hour window. If the service company arrives at your location, during the scheduled date and time, and no one is home, you will be charged a trip charge by the service company for a return service call.*

ITEMS IMPERIAL WILL NOT PAY FOR

1. Service calls to correct the installation of your appliance, to instruct you how to use your appliance, to replace or repair house fuses or the correct housing wiring or plumbing.
2. Service calls to repair or replace appliance light bulbs or filters.
3. Repairs when your appliance is used for other than normal, single-family household use.
4. Damage resulting from accident, alteration, misuse, abuse, fire, flood, acts of God, improper installation, installation not in accordance with electrical or plumbing codes.
5. Replacement parts or repair costs for units operated outside the United States.
6. Pickup and delivery. This appliance is designed to be repaired in the home.
7. Repairs to parts or systems resulting from unauthorized modification made to the appliance.
8. Expenses for travel and transportation for product service in remote locations.
9. The removal and reinstallation of your appliance if it is installed in an inaccessible location or is not installed in accordance the published installation instructions.
10. Replacement parts or repair labor costs when the appliance is used in a country other than the country in which it was purchased.

SAFETY INSTRUCTIONS

Read and Save These Instructions

Warning: To reduce the risk of fire, electrical shock or injury to persons, observe the following:

- A. Use this unit only in the manner intended by the manufacturer. If you have any questions, contact the manufacturer. Before servicing or cleaning unit, switch power off at service panel and lock Service Disconnecting Means to prevent power from being switched on accidentally. When the Service Disconnecting Means cannot be locked, securely fasten a prominent warning device, such as a tag, to the service panel.

Warning: To reduce the risk of a range top grease fire:

- A. Never leave surface units unattended at high settings. Boil-overs cause smoking and greasy spillovers that may ignite. Heat oils slowly on low or medium settings.
- B. Always turn hood ON when cooking at high heat or when Flambéing foods (i.e. Crepes Suzette, Cherries Jubilee, Peppercorn Beef Flambé).
- C. Clean ventilating fans frequently. Grease should not be allowed to accumulate on fans or filters.
- D. Use proper pan size. Always use cookware appropriate for the size of the surface element.

Warning: To reduce the risk of injury to persons in the event of a range top grease fire, observe the following:

- A. SMOTHER FLAMES with a close-fitting lid, cookie sheet or metal tray, then turn off the burner. BE CAREFUL TO PREVENT BURNS. If flames do not go out immediately, EVACUATE AND CALL THE FIRE DEPARTMENT.
- B. NEVER PICK UP A FLAMING PAN - you may be badly burned.
- C. DO NOT USE WATER, including wet dishcloths or towels, violent steam explosion will result.
- D. Use an extinguisher ONLY if:
 - ⇒ You know you have a Class ABC extinguisher and you already Know how to use it.
 - ⇒ The fire is small and contained in the area where it started.
 - ⇒ The fire department is being called.
 - ⇒ You can fight the fire with your back to an exit.

Warning: To reduce the risk of fire, electrical shock or injury to persons, observe the following:

- A. Installation work and electrical wiring must be done by a qualified person or persons in accordance with all applicable codes and standards, including fire-rated construction.
- B. Sufficient air is needed for proper combustion and exhausting of gases through the flue of fuel burning equipment to prevent back drafting. Follow the heating equipment manufacturer's guideline and safety standards such as those published by the National Fire Protection Association (NFPA), and the American society for Heating, Refrigeration & Air conditioning Engineers (ASHRAE), and the local code authorities.
- C. When cutting or drilling into a wall or ceiling, do not damage electrical wiring and other hidden utilities.
- D. Ducted fans must always be vented to the outdoors.

Warning: To reduce risk of fire, use only Smooth Metal Ducting!