

32" Depth, 18" High	MODEL
<ul style="list-style-type: none"> <li>◆ 1000 CFM</li> <li>◆ 10" Round Transition</li> </ul>	<p>WH1936PSB-32-K-SS WH1942PSB-32-K-SS WH1948PSB-32-K-SS</p>
<ul style="list-style-type: none"> <li>◆ 1675 CFM</li> <li>◆ Two (2) 10" Round Transitions</li> </ul>	<p>WH1954PSB-TW32-K-SS WH1960PSB-TW32-K-SS</p>



**FEATURES:**

- ◆ 304 Marine Grade Stainless Steel
- ◆ Variable Controls
- ◆ Sones: 1.5 to 4.6
- ◆ Front Panel Lighting: LED Bulbs Included.  
30" to 48" Hoods take 2 Bulbs (1 Set)  
54" to 60" Hoods take 4 Bulbs (2 Sets)
- ◆ Heat Controlled Thermostat, Fire Safety Controlled.  
Activates at 130 degrees. (Not Available on Outdoor Series)
- ◆ Electrical: 115 AC, 60 Hz, 9 Amps. For proper installation, unit must be hard wired. Suggested use with 15 Amp Circuit.
- ◆ Suggested Distance Code: 36" above cooking surface.

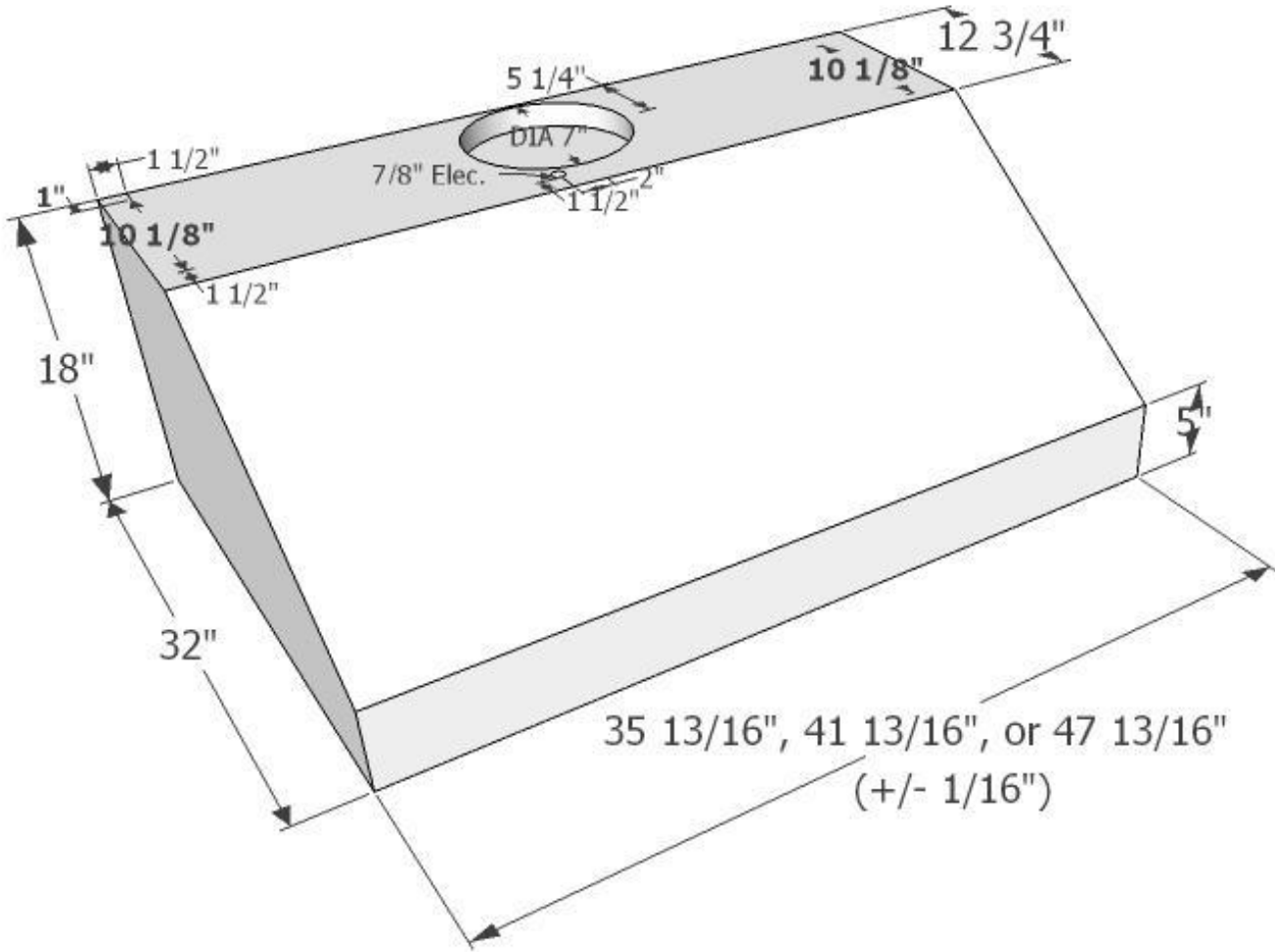
**OPTIONS:**

- ◆ Duct covers made to your specifications.  
Provide Width and Height: Ex: WH-STK-HEIGHT x WIDTH
- ◆ Remote wiring, see accessories.
- ◆ Custom Sizes Available.

NO Performance Warranty over BBQ Grills/Griddles.



# Outdoor Wall Mount Specifications



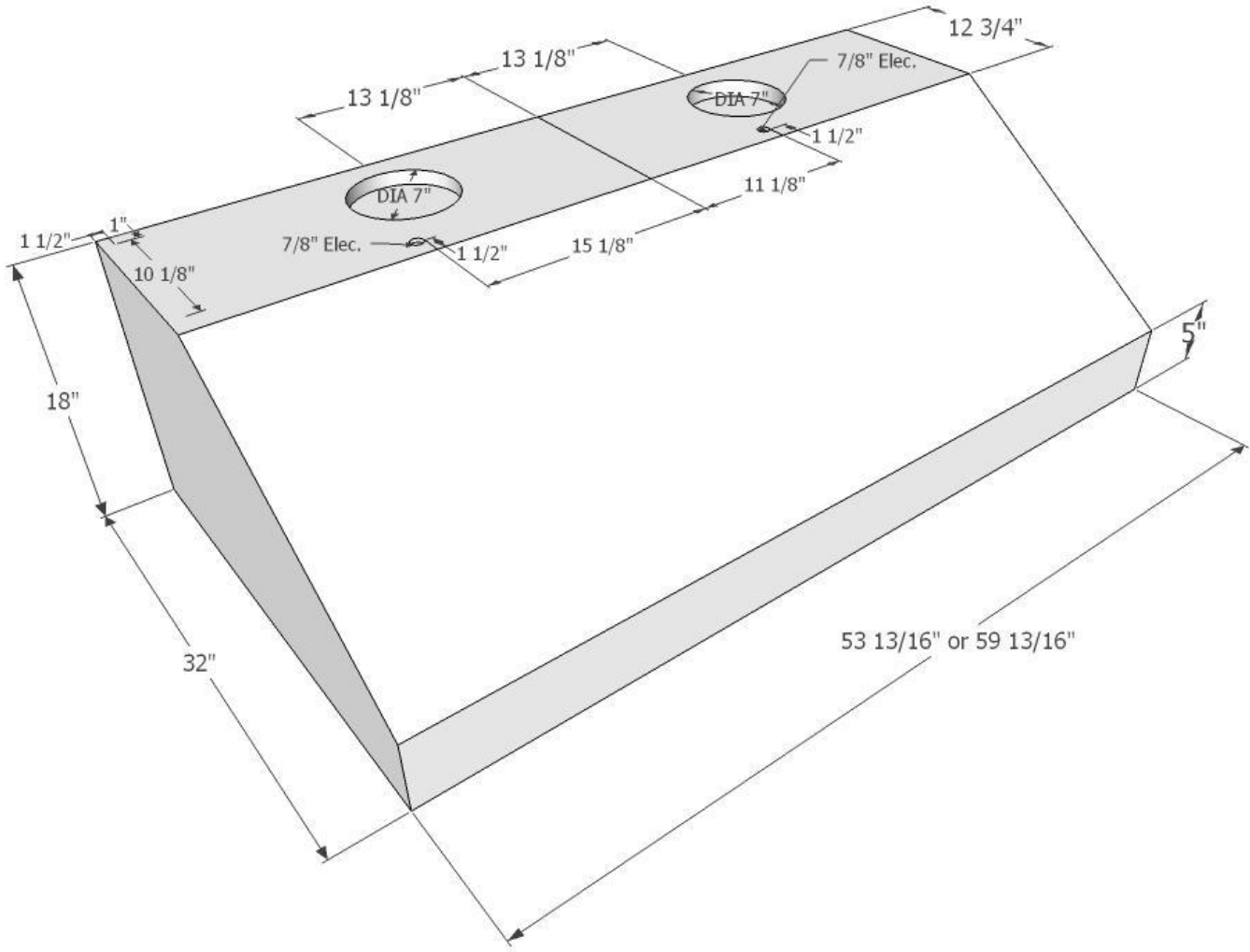
10" Transition  
10" Round x 7-1/2" high  
(INCLUDED)



**SEVEN YEAR, IN HOME, LIMITED WARRANTY, THE BEST IN THE INDUSTRY!**

All dimensions are (+/-) 1/16" and are subject to change. Drawings are not to scale.

# Outdoor Wall Mount Specifications



10" Transition  
10" Round x 7-1/2" high  
(INCLUDED)



**SEVEN YEAR, IN HOME, LIMITED WARRANTY, THE BEST IN THE INDUSTRY!**

All dimensions are (+/-) 1/16" and are subject to change. Drawings are not to scale.