

# *Imperial*

## **Read Before Starting Installation!**

**Inspect your range hood prior to installing!**

**Any cosmetic defects must be reported to us prior to installation.**

**Once this hood is installed, ICP will NOT accept any responsibility for any cosmetic blemishes, scratches or dents in the Canopy.**

**Save all original packaging if you wish to return for any reason!**

**FIRST:**

Check your local building and electrical codes.

**WARNING:**

To reduce the risk of fire or electrical shock, Do Not use any two speed motor units with a Solid State control devise.

**CAUTION:**

### Wall Mount Installation Detail:

MODELS:

WHP1900PS1  
 WH1900PS1  
 WH1900PS1R

MODELS:

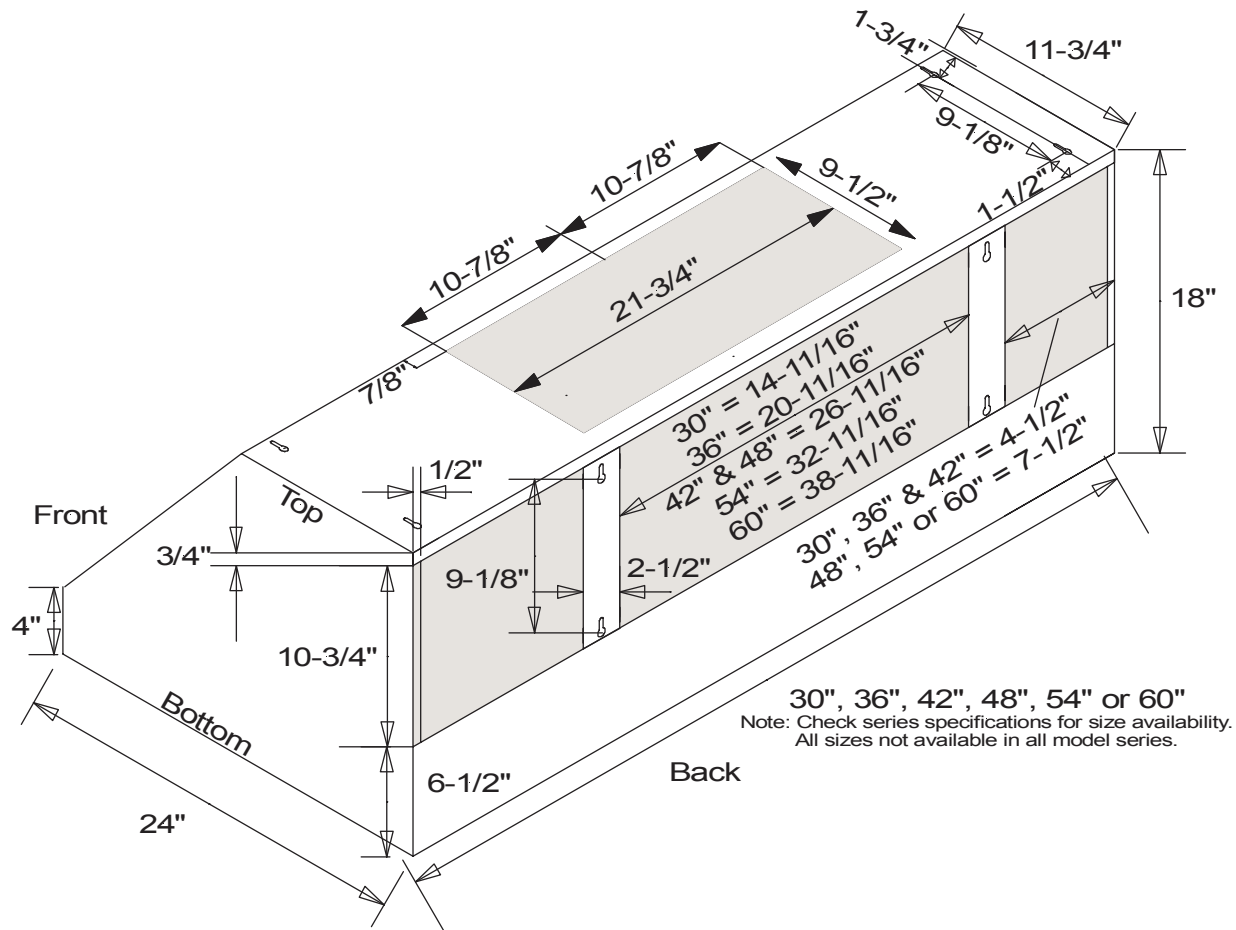
WHP1900PS  
 WH1900PS  
 WH1900PSR

MODELS:

WHP1900PS1-TW  
 WH1900PS1-TW  
 WH1900PS1TWR

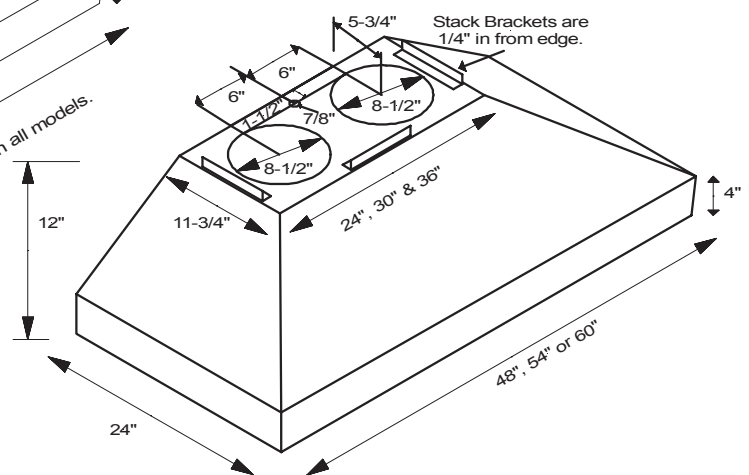
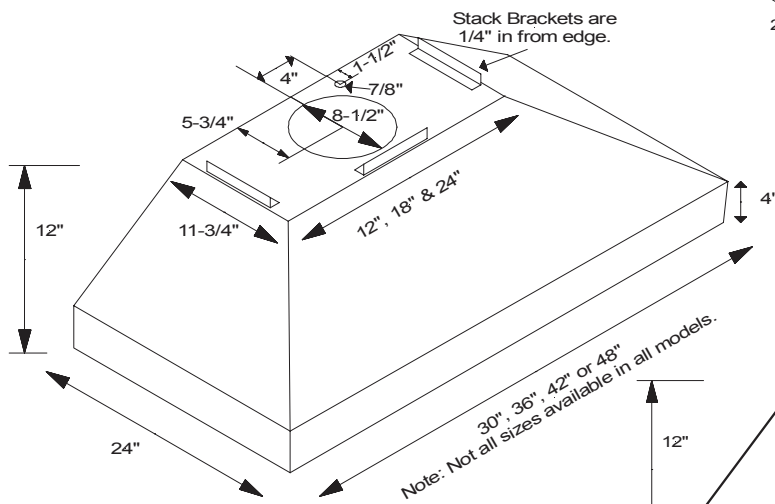
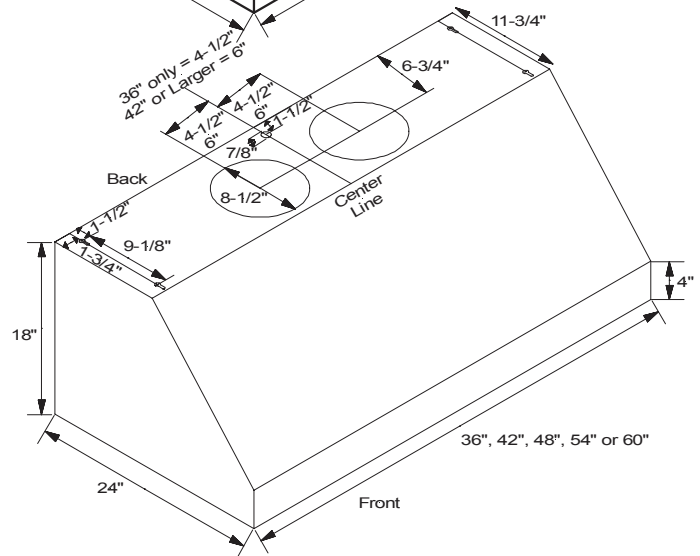
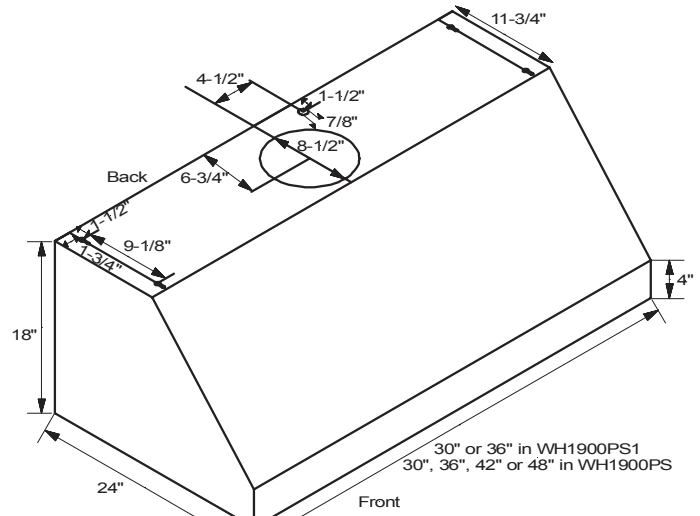
CAUTION: Be sure that incoming power is turned off.

1. Position the Wall Canopy on it's back and remove the filters.
  - Remove the Powered Liner (C□000) assembly from the canopy shell by unscrewing the Four (4) mounting nuts with washers located at each corner of the insert.
  3. Install canopy shell to the wall by securing it to a minimum of two (□) structural wall studs. Caution; Pre-Punched installation key holes in the rear of the canopy to be used only if they line up with the exiting wall studs. If needed, drill additional mounting holes and secure to existing wall studs or remove the dry wall and install proper backing to match pre-punched mounting holes.
- Note: In the case of the "Rear Vented" series use the two vertical support pieces on the back side to temporarily attach the canopy to the wall. Locate the wall studs and using the four small (4) metal mounting brackets secure the canopy to the wall.



### Wall Mount Installation Detail:

4. Bring conduit down and feed through 7/8" hole on top of the canopy, at least 18" to 24" long. Be sure that the conduit hangs 4" past the bottom of the canopy.
5. Remove junction box cover from the C2000. Be sure to comply with all local electrical and safety codes. Attach special length of vent pipe to the vent opening on the C2000 using Automatic Vent Collar to extend through opening in the top of the canopy.
6. Position the C2000 with vent pipe in the Collar into the canopy, with support bolts through the holes in the top of the C2000. Secure washers and nuts on all Weld Studs, tighten securely.
7. Hook up electrical wires and secure electrical cover.
8. Install lights and replace filters.



## **PARTS:**

When ordering Parts we need the following information:

- Model Number (not serial number) found on UL label inside hood.
- Exact dimensions (in the case of filters)

You can find the model number on the inside of your hood on our UL label. There will be a several model numbers listed, your model number should have some kind of mark next to it to indicate the exact model you have.

In the case of Filters we will need the exact dimensions of the filter needed. Indicate which side has the pull tabs on it. Filters are not a warranty replacement part. With care your filters should last many years.

## **SERVICE:**

When calling in for Service we need the following information:

- Model Number (not serial number)
- Proof of Purchase
- Name of company you purchased the hood through.
- Name & Phone number of the person to contact to set up the service call.
- Full address of the location where service is to be done.

Warranty on the Economy Hood is One Year Parts only.

Warranty on all others is Five Years, Parts and Labor.

## Maintenance & Warranty Information

This product has the simplest of cleaning requirements.

All metal filters are dishwasher safe! Clean filters often for the best performance. How often depends on amount and type of cooking. When cleaning a painted hood, wash it with mild, soapy water ONLY! Wipe the hood thoroughly with clean

water and dry with soft cloth. When cleaning Stainless Steel use a cleaner specifically for Stainless Steel.

Always rub with the grain using non-abrasive cleaning materials. Avoid

detergents, disinfectants or cleaning products in aerosol cans. NEVER use abrasive scouring powders on your hood! Some cleaning chemicals may damage the hood finish!

### LIGHTING

LED BULB—PAR 20 FLOOD LAMP—DIMMABLE

**Warning:** Do not use Halogen bulbs in sockets not intended for their use! They are to be used only in the Front Light Panels, not the Center Light Panels.

**Your Imperial Warranty: Staple sales slip or cancelled check here. Proof of original purchase date is needed to obtain service under warranty.**

Economy Units: One Year Limited Warranty on Parts Only.

Deluxe Units: Five Year Limited Warranty, Parts and Labor.

# **SAFETY INSTRUCTIONS**

## Read and Save These Instructions

### **Warning: To reduce the risk of fire, electrical shock or injury to persons, observe the following:**

- A. Use this unit only in the manner intended by the manufacturer. If you have any questions, contact the manufacturer. Before servicing or cleaning unit, switch power off at service panel and lock Service Disconnecting Means to prevent power from being switched on accidentally. When the Service Disconnecting Means cannot be locked, securely fasten a prominent warning device, such as a tag, to the service panel.

### **Warning: To reduce the risk of a range top grease fire:**

- A. Never leave surface units unattended at high settings. Boilovers cause smoking and greasy spillovers that may ignite. Heat oils slowly on low or medium settings.
- B. Always turn hood ON when cooking at high heat or when Flambéing foods (i.e. Crepes Suzette, Cherries Jubilee, Peppercorn Beef Flambé).
- C. Clean ventilating fans frequently. Grease should not be allowed to accumulate on fans or filters.
- D. Use proper pan size. Always use cookware appropriate for the size of the surface element.

### **Warning: To reduce the risk of injury to persons in the event of a range top grease fire, observe the following:**

- A. SMOTHER FLAMES with a close-fitting lid, cookie sheet or metal tray, then turn off the burner. BE CAREFUL TO PREVENT BURNS. If flames do not go out immediately, EVACUATE AND CALL THE FIRE DEPARTMENT.
- B. NEVER PICK UP A FLAMING PAN - you may be badly burned.
- C. DO NOT USE WATER, including wet dishcloths or towels, violent steam explosion will result.
- D. Use an extinguisher ONLY if:
  - ⇒ You know you have a Class ABC extinguisher and you already Know how to use it.
  - ⇒ The fire is small and contained in the area where it started.
  - ⇒ The fire department is being called.
  - ⇒ You can fight the fire with your back to an exit.

### **Warning: To reduce the risk of fire, electrical shock or injury to persons, observe the following:**

- A. Installation work and electrical wiring must be done by a qualified person or persons in accordance with all applicable codes and standards, including fire-rated construction.
- B. Sufficient air is needed for proper combustion and exhausting of gases through the flue of fuel burning equipment to prevent back drafting. Follow the heating equipment manufacturer's guideline and safety standards such as those published by the National Fire Protection Association (NFPA), and the American society for Heating, Refrigeration & Air conditioning Engineers (ASHRAE), and the local code authorities.
- C. When cutting or drilling into a wall or ceiling, do not damage electrical wiring and other hidden utilities.
- D. Ducted fans must always be vented to the outdoors.

### **Warning: To reduce risk of fire, use only Smooth Metal Ducting!**