



### Features

- ◆ **Lighting:** Center Panel Lighting: 6.5 Watt LED Included
- ◆ **Heat Sensor:** Fire Safety Thermostat with Automatic turn ON when temp. reaches 130 degrees. Not available on SD2, SD4 or T models.
- ◆ **Filters:** Aluminum Mesh Filters.
- ◆ **Custom:** Custom sizes available. Call with exact dimensions for pricing and delivery time.
- ◆ **Optional Remote Controls:** Remote control wiring available on select models.
- ◆ **Re-circulating:** Re-circulating Kit available for N1900T & N1900SD2 models only. See Page 42.

### Specifications

- ◆ **Power:** “Air Ring Fan” or Flame Retardant Centrifugal Blowers. 360 to 900 CFM.
- ◆ **Finish:** Stainless Steel, White or Black Powder Coat. **Optional:** Over 60 custom color choices available.
- ◆ **Distance Codes:** Check local city, county and cooking appliance specifications. UL tested at 36” above cooking surface. Optional 30” on T & SD2 models.
- ◆ **Installation:** Simple installation.

### Warranty

- ◆ **Warranty: 7 Year, In-Home—Parts & Labor. (Best in the Industry!)**
- ◆ No “Performance” Warranty when used above BBQ Style Grills, may not be satisfactory in all situations. Call to discuss.

MODELS	POWER CFM	MOTOR TYPE	CONTROLS	SONES LOW-HI	DEPTH	DUCT	LIGHT	SIZES
N1900PS	750	DUAL BLOWER	VARIABLE	1.5 - 4.6	22-1/8”	Single 7”	Center Panel	30”, 36”, 42”, 48”
N1900PS-8	900	DUAL BLOWER	VARIABLE	1.5 - 4.6	22-1/8”	Single 8”	Center Panel	30”, 36”, 42”, 48”
N1900PS1	635	SINGLE BLOWER	VARIABLE	1.5 - 4.6	22-1/8”	Single 7” Off-Set	Center Panel	30”, 36”, 42”
N1900PS1-8	775	SINGLE BLOWER	VARIABLE	1.5 - 4.6	22-1/8”	Single 8” Off-Set	Center Panel	30”, 36”, 42”
N1900BP	735	DUAL BLOWER	VARIABLE	1.5 - 4.6	18-1/8”	Single 7”	Center Panel	30”, 36”, 42”, 48”
N1900BP-8	900	DUAL BLOWER	VARIABLE	1.5 - 4.6	18-1/8”	Single 8”	Center Panel	30”, 36”, 42”, 48”
N1900BP1	635	SINGLE BLOWER	VARIABLE	1.5 - 4.6	18-1/8”	Single 7” Off-Set	Center Panel	30”, 36”, 42”
N1900BP1-8	750	SINGLE BLOWER	VARIABLE	1.5 - 4.6	18-1/8”	Single 8” Off-Set	Center Panel	30”, 36”, 42”
N1900T	425	TURBO BLOWER	VARIABLE	2.5 - 4.9	18-1/8”	Single 7”	Center Panel	30”, 36”, 42”
N1900SD2	360	AIR-RING FAN	ROCKER	2.5 - 4.9	18-1/8”	Single 7”	Center Panel	30”, 36”, 42”, 48”

# Under Cabinet Slim Line Specifications

## NOTE

### Example: -8 Models

Vent size 8" round by 3-1/2" high.

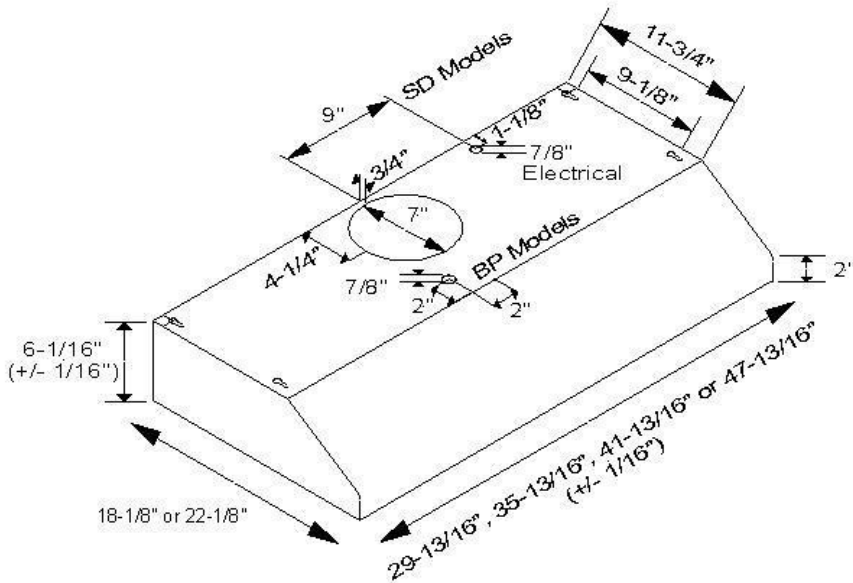
Increase CFM by 20% with 8" vent transition.

### Example: -K Models

Vent size 10" round by 7" high.

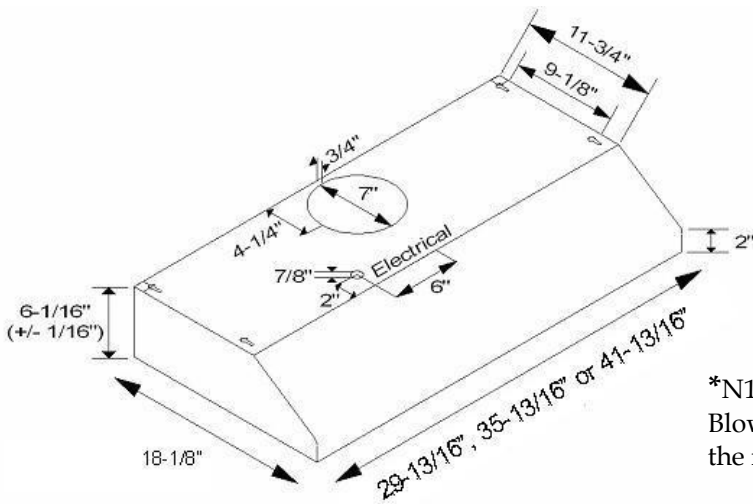
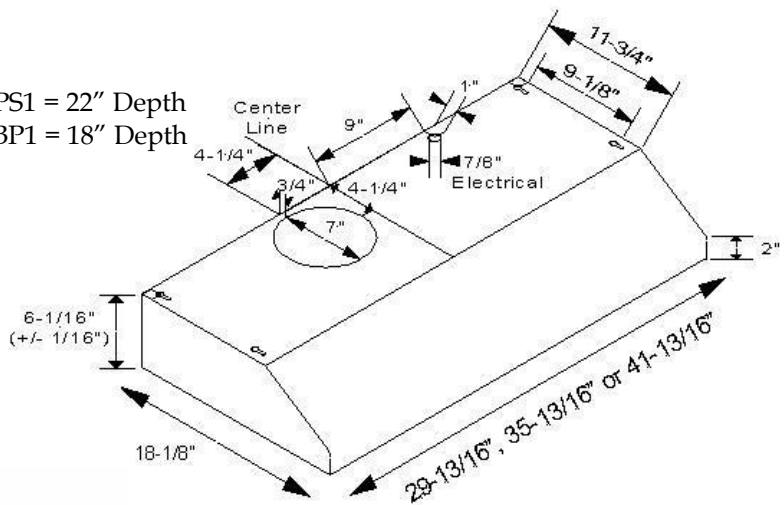
Increase CFM by 35% with 10" vent transition.

All other dimensions remain the same.



N1900PS = 22" Depth  
 N1900BP = 18" Depth  
 N1900SD2 = 18" Depth

N1900PS1 = 22" Depth  
 N1900BP1 = 18" Depth



\*N1900T = 18" Depth

Blower Is Off-Set - majority airflow is on the right side of hood.



**SEVEN YEAR, IN HOME, LIMITED WARRANTY, THE BEST IN THE INDUSTRY!**

All dimensions are (+/-) 1/8" and are subject to change. Drawings are not to scale.