

# Imperial Cal Products, Inc.

## Microwave Filler Kit Installation Details:

### MODELS

## GMF3, MF3, MF6 or FK3

- ◆ Filler panels must be installed before installation of microwave oven
- ◆ For 36" or 42" opening applications
- ◆ For mounting under 12" cabinets

#### Kit consist of:

- 2 Filler Panels
- 8 Wood Screws (4 for each panel)
- 1 Instruction Sheet

1. One filler panel should be installed on each side of cabinet opening. Panels can be installed as filler panels or as filler panel bookshelves. See Figure 1.
2. Line up filler panel to front edge of cabinet and mark holes A, B, C, and D. See Figure 2 or 3
3. Attach filler panels to cabinet through holes A, B, C, and D with wood screws supplied. Be sure all screws are firmly attached to cabinet.

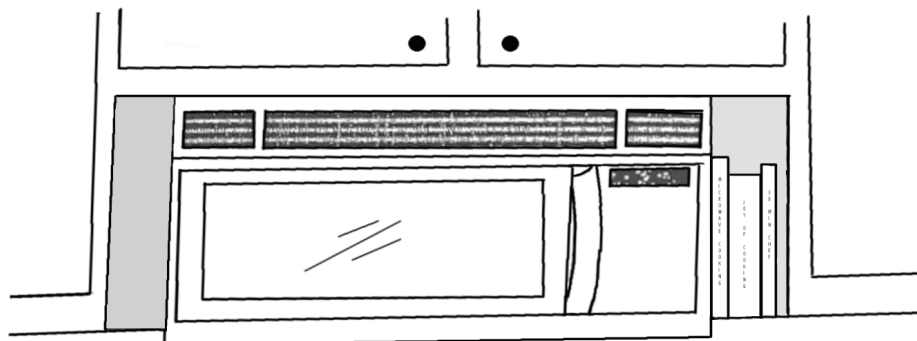
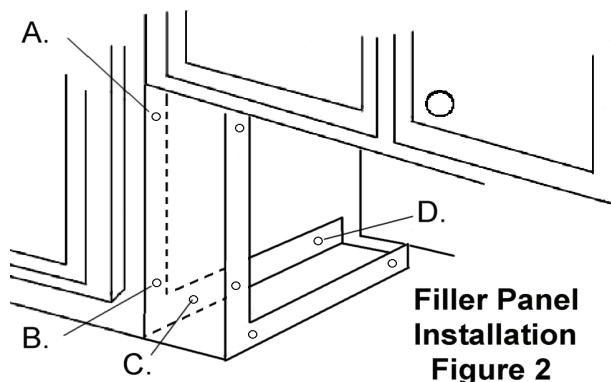
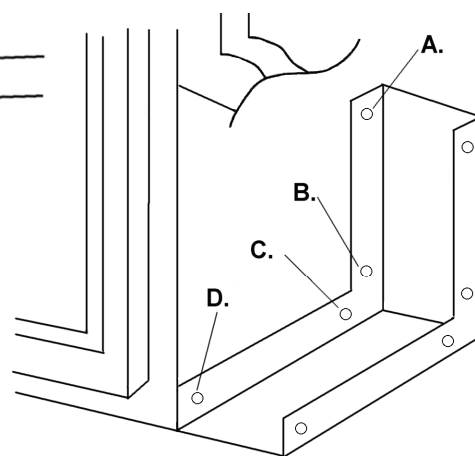


Figure 1



Filler Panel  
Installation  
Figure 2



Book Shelf Installation  
Figure 3