



# The Island Pyramid

The power you need. The quiet you want!

32-1/2" Depth, 12" High	MODEL
<ul style="list-style-type: none"> <li>◆ 675± CFM</li> <li>◆ 7" Round Duct</li> </ul> <p>Order duct cover separately from table below at no charge.</p>	ISP1936PSSB-SS ISP1942PSSB-SS ISP1948PSSB-SS  ISP36-STK-SS ISP42-STK-SS ISP48-STK-SS
<ul style="list-style-type: none"> <li>◆ 810± CFM</li> <li>◆ 8" Round Transition</li> </ul> <p>Order duct cover separately from table below at no charge.</p>	ISP1936PSSB-8-SS ISP1942PSSB-8-SS ISP1948PSSB-8-SS  ISP36-STK-SS ISP42-STK-SS ISP48-STK-SS
<ul style="list-style-type: none"> <li>◆ 1370± CFM</li> <li>◆ Two (2) 8" Round Transitions</li> </ul> <p>Order duct cover separately from table below at no charge.</p>	ISP1948PS1-TWSB-8-SS  ISPTW48-STK-SS

ISP1900PSSB

**FEATURES:**

- ◆ 304 Marine Grade Stainless Steel.
- ◆ Variable Controls
- ◆ Sones: 1.5 to 4.6
- ◆ Filters: Slim Baffle
- ◆ Front Panel Lighting: LED bulbs Included.
- ◆ Heat Controlled Thermostat, Fire Safety Controls. Activates at 130 degrees.
- ◆ Electrical: 115 AC, 60 Hz, 9 Amps. For proper installation, unit must be hard wired. Suggested use with 15 Amp Circuit.
- ◆ Suggested Distance Code: 36" above cooking surface.

**OPTIONS:**

- ◆ Angle cut duct covers additional charge. Must provide drawing and dimensions.
- ◆ Remote wiring, see accessories.
- ◆ Black or White Powder Coat, additional charge.  
Ex: ISP1936PSSB-WH (White)
- ◆ Matte Black, additional charge.  
Ex: ISP1936PSSB-MB (Matte Black)
- ◆ Custom Sizes Available.

NO Performance Warranty over BBQ Grills/Griddles.



Wood Mounting Frame & Duct Cover—TOP VIEW



Wood Mounting Frame & Duct Cover



**Seamless Duct Cover & Wood Mounting Frame**  
(Duct Cover Not Telescopic)

Order by model number below. **MUST INDICATE SIZE OF RANGE HOOD.**  
Calculated on mounting height of 36" above cooking surface.

<u>MODEL</u> —Standard Sizes	<u>CEILING HEIGHT</u>
ISP__-STK-SS-12	12" High for 8' Ceiling
ISP__-STK-SS-24	24" High for 9' Ceiling
ISP__-STK-SS-36	36" High for 10' Ceiling

**Twin Model**

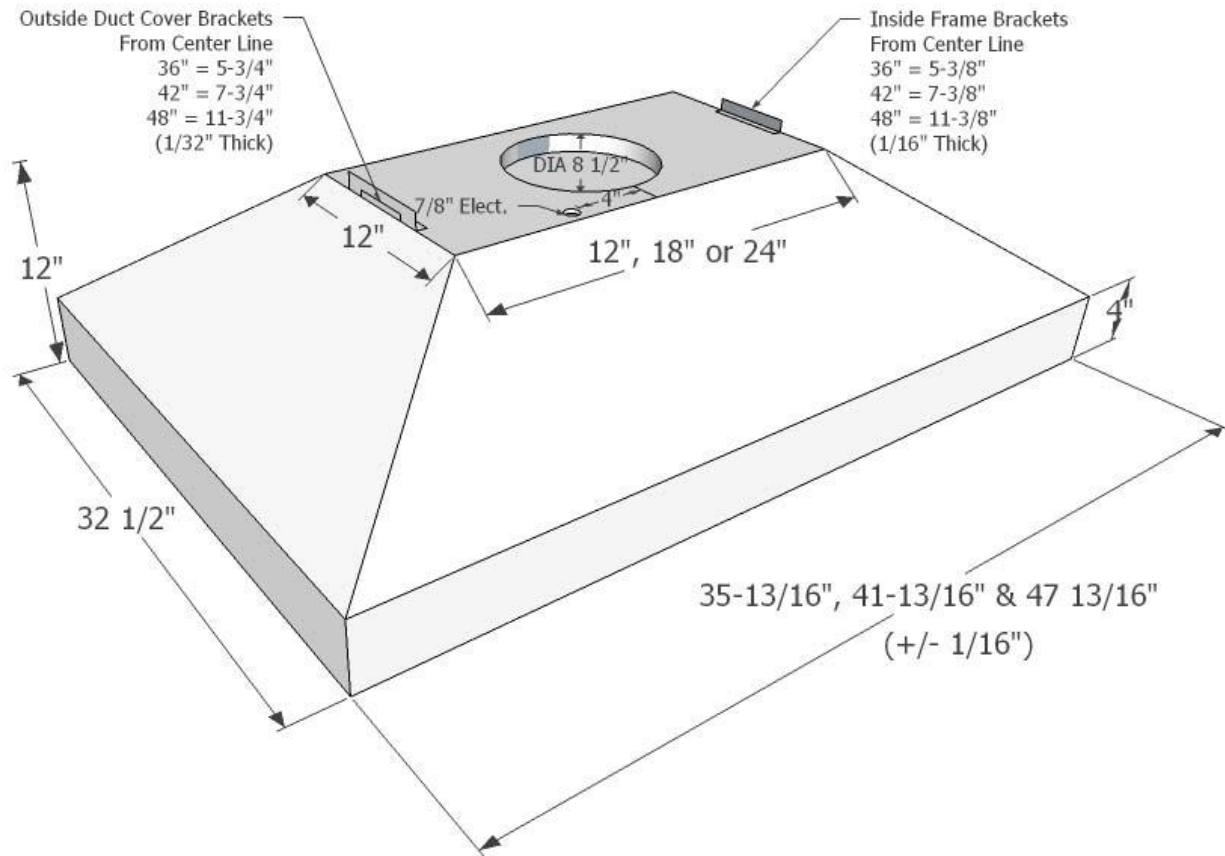
ISPTW__-STK-SS-12	12" High for 8' Ceiling
ISPTW__-STK-SS-24	24" High for 9' Ceiling
ISPTW__-STK-SS-36	36" High for 10' Ceiling

**MODEL—Custom Size**  
ISP-STK-SS = Custom Size Provided at no charge up to 48" High  
Provide Height: **Ex: ISP-STK-SS-26"**  
Call for Additional charge for duct covers over 48" High.

Custom Stack Height Calculations.

Call for Immediate Assistance (800) 851-4192

# Island Pyramid Specifications



8" Transition  
8" Round x 3-1/2" high

**NOTE: Duct Cover Depth & Width**

**Depth:** 11-5/8" All Sizes

**Width / Single Duct:** 36" = 11-3/4", 42" = 17-3/4", 48" = 23-3/4"

**SEVEN YEAR, IN HOME, LIMITED WARRANTY, THE BEST IN THE INDUSTRY!**

All dimensions are (+/-) 1/16" and are subject to change. Drawings are not to scale.