



IN LINE BLOWER



SILENCER



DAMPERS



CLAMPS

MODEL	CFM	DUCT SIZE
ILB8*	850	8"
ILB10*	1200	10"
*Clamps and back draft dampers are included in the purchase of the inline blower.		
S8 or S10	SILENCER	
SONE LEVEL: 15.0—18.0 depending upon static pressure and duct run. SONE LEVEL W/Silencer: Sones will be cut by 50% per FANTECH.		

- Inline duct fans designed with airtight galvanized steel housings. Ideal for use with smaller, standard size ranges. Available in 8" or 10" sizes.
- Silencer is made of galvanized steel for use in kitchen range hood ventilation where noise is a concern. Units feature rubber seal on inlet and outlet.
- Back draft dampers made of galvanized steel collar and lightweight aluminum damper blades. Spring loaded for positive closure. Included in purchase of blower.
- Clamps to attach to duct pipe included in purchase of blower.

**Warranty provided by Fantech.

NOT included in Imperial's standard 7 Year, In-Home Warranty.

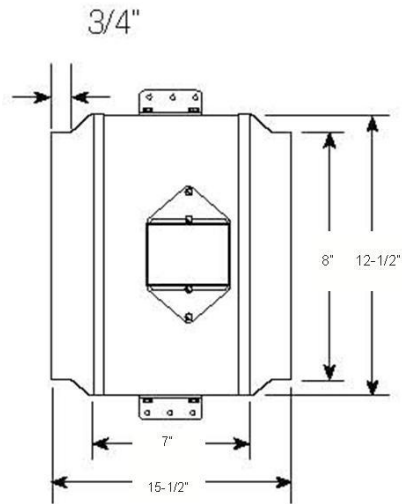
In-Line Blower Specifications

**ILB8
ILB10**

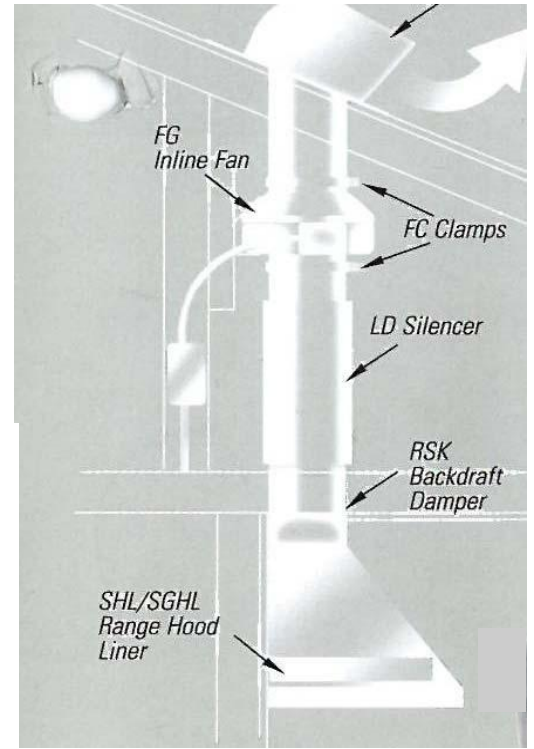
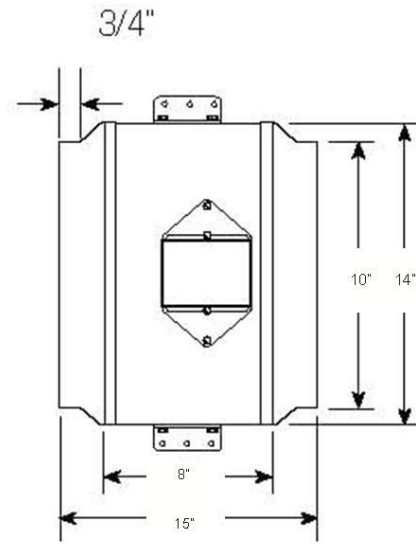
*Clamps and dampers included

**CLAMP8 & CLAMP10
NOT PICTURED

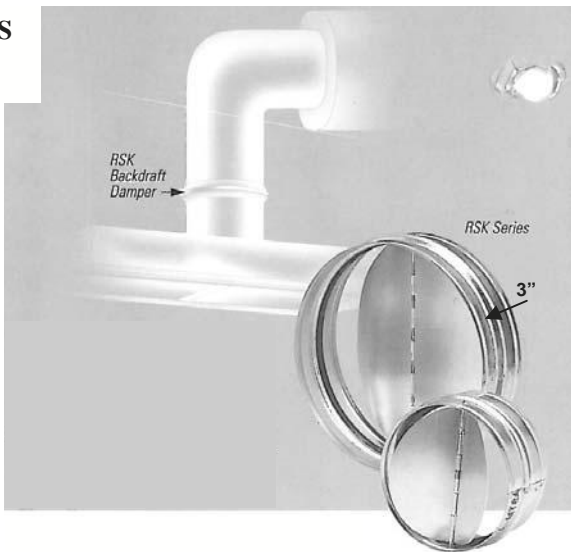
ILB8



ILB10



DAMPERS



**S8
S10**

